



7350 Series Version 2 Bottom Mount 90° Drive Package

Installation, Maintenance & Parts Manual



For other service manuals visit our website at:
www.dornerconveyors.com/manuals-literature

Record Conveyor Serial Number Here

Warnings - General Safety

⚠ WARNING

The safety alert symbol, black triangle with white exclamation, is used to alert you to potential personal injury hazards.

⚠ DANGER



Climbing, sitting, walking or riding on conveyor will cause severe injury.
KEEP OFF CONVEYORS.

⚠ DANGER



DO NOT OPERATE CONVEYORS IN AN EXPLOSIVE ENVIRONMENT.

⚠ WARNING



SEVERE HAZARD!
LOCK OUT POWER before removing guards or performing maintenance. Exposed moving parts can cause serious injury.

⚠ WARNING



Gearmotors may be **HOT**.
DO NOT TOUCH Gearmotors.

⚠ WARNING



Exposed moving parts can cause severe injury.
REPLACE ALL GUARDS BEFORE RUNNING CONVEYOR.

⚠ WARNING



Dorner cannot control the physical installation and application of conveyors. Taking protective measures is the responsibility of the user.
When conveyors are used in conjunction with other equipment or as part of a multiple conveyor system, **CHECK FOR POTENTIAL PINCH POINTS** and other mechanical hazards before system start-up.

Product Description

Refer to **(Figure 1)** for typical components.

1	M6 Hex Head Screws (4x)
2	Cover
3	Driven Pulley
4	Timing Belt
5	Drive Pulley
6	Timing Belt Tensioner
7	Mounting Bracket
8	Motor
9	Gear Reducer

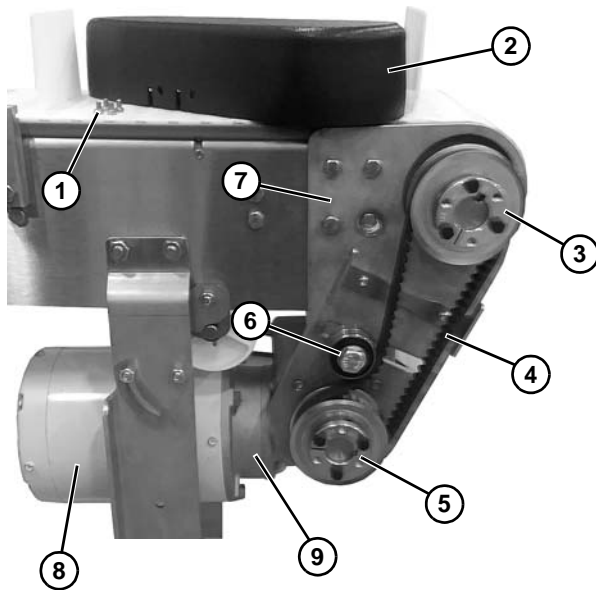



Figure 1

Installation

Required Tools

- 5/16" wrench
- 4 mm wrench
- 13 mm wrench
- 14 mm wrench
- 19 mm wrench
- Large flat head screwdriver
- Pry Bar
- Torque wrench

Bottom Mount 90° Drive Package

⚠ WARNING

SEVERE HAZARD! LOCK OUT POWER before removing guards or performing maintenance. Exposed moving parts can cause serious injury.

Typical Components (Figure 2).

1	Bottom Mount Assembly
2	Drive Pulley
3	Cover
4	M6 Hex Head Screws (4x)
5	Driven Pulley
6	M8 Hex Head Screws (3x)
7	Timing Belt
8	Timing Belt Tensioner
9	Gearmotor Assembly

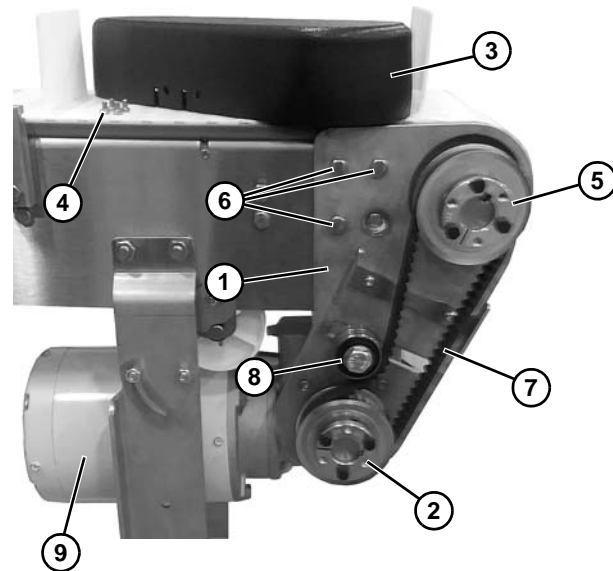


Figure 2

NOTE
<i>Gearmotor may be operated in positions 1 or 3 (Figure 3).</i>

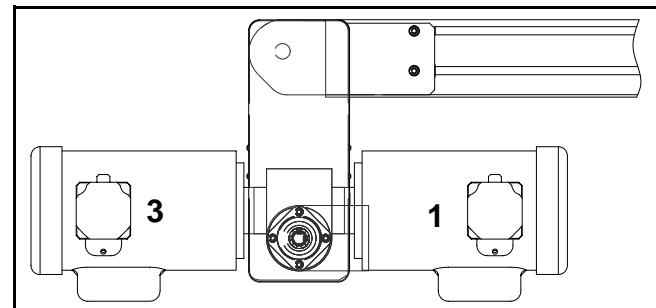


Figure 3

1. Remove three fasteners from conveyor, leaving the fourth fastener that lines up with the clearance hole on the motor mount.

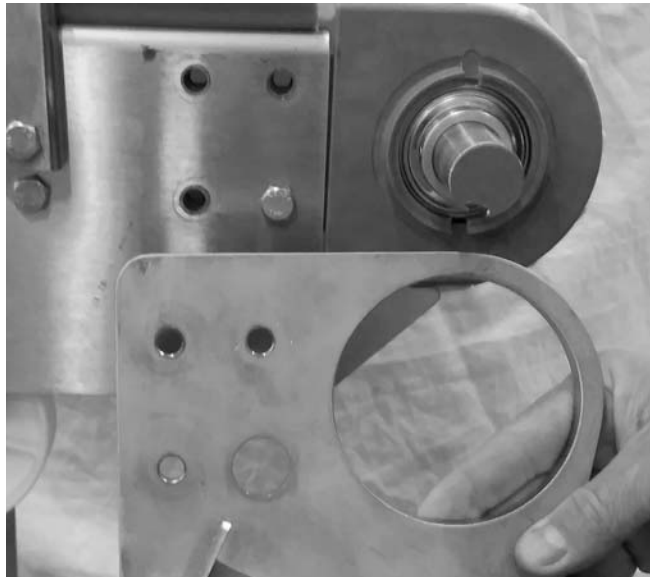


Figure 4

2. Attach bottom mount assembly to the conveyor.

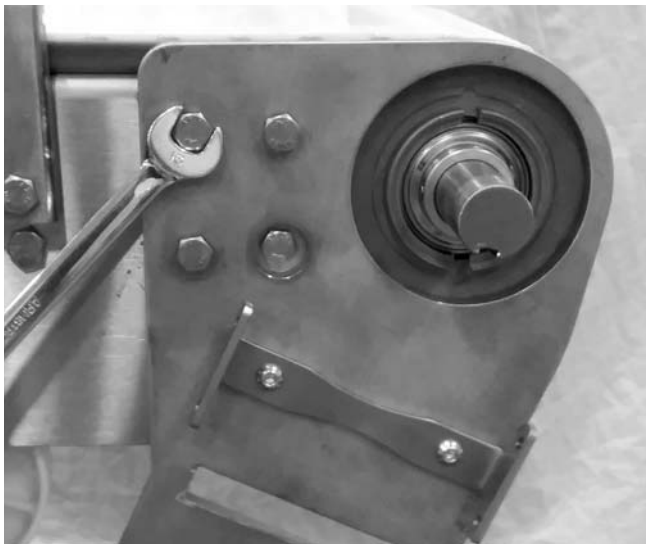


Figure 5

⚠ WARNING

Drive shaft keyway may be sharp. HANDLE WITH CARE.

3. Install key and driven pulley onto conveyor shaft.

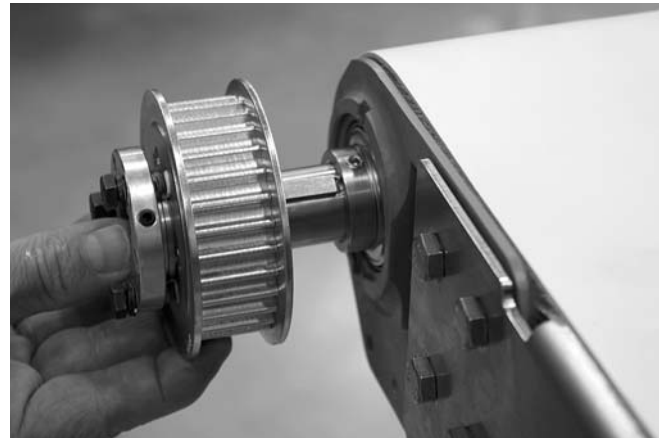


Figure 6

4. Attach gear reducer to the bottom mount assembly.

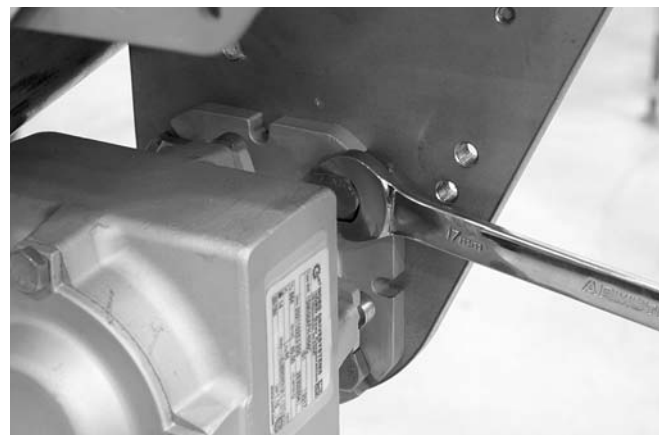


Figure 7

Installation

5. Install shaft key.
6. Install coupling (see label on coupling).

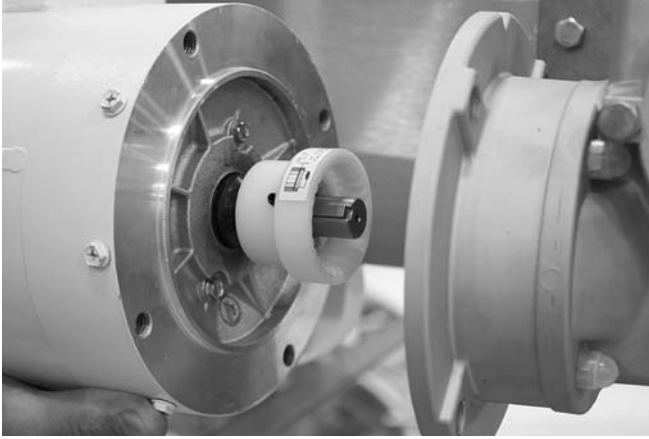


Figure 8

7. Install gearmotor to gear reducer.
8. Tighten bolts.



Figure 9

9. Wrap the timing belt around the drive and driven pulley.

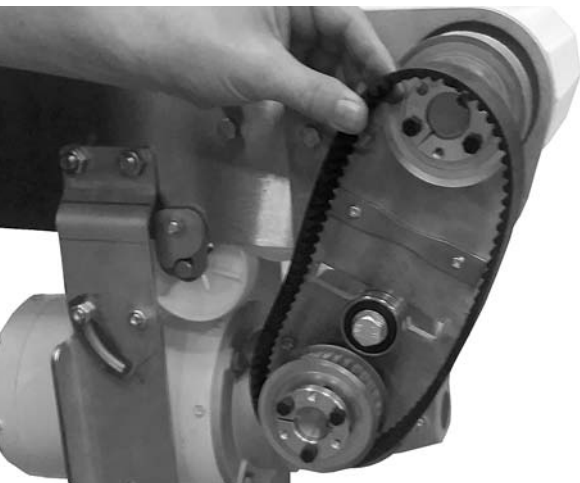


Figure 10

10. Align driven pulley with drive pulley.

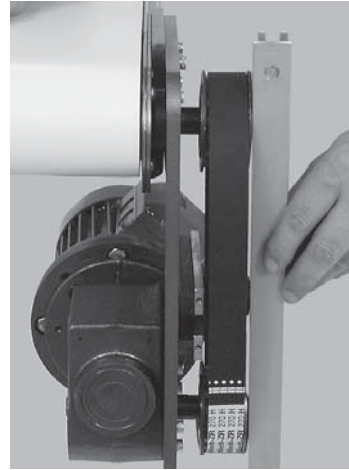


Figure 11

11. Tighten taper-lock screws on pulleys.



Figure 12

12. Loosen tensioner bolt and tension timing belt.

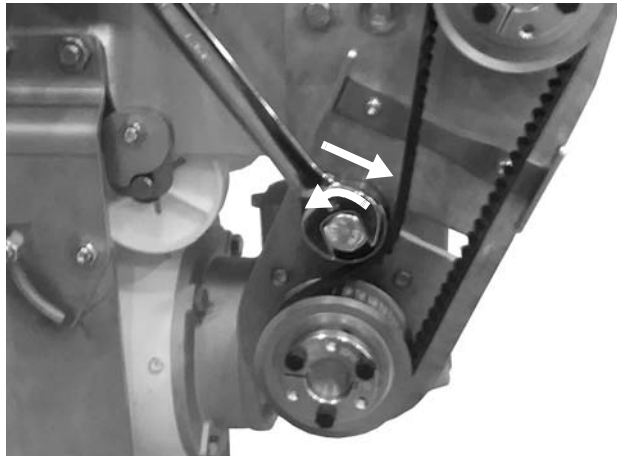


Figure 13

⚠ CAUTION

Over tightening of timing belt will result in reduced gearmotor and timing belt life.

14. Install cover with four screws.



Figure 15

13. Tighten tensioner bolt.

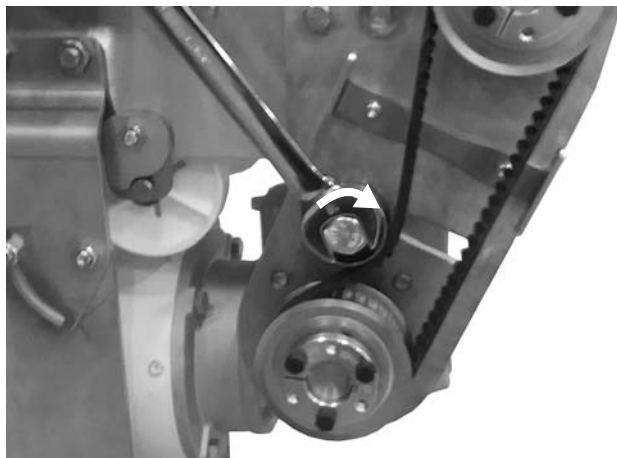


Figure 14

Preventive Maintenance and Adjustment

Required Tools

- 5/16" wrench
- 4 mm wrench
- 13 mm wrench
- 14 mm wrench
- 19 mm wrench
- Large flat head screwdriver
- Pry Bar
- Torque wrench

Check List

- Keep critical service parts on hand. Refer to “Service Parts” on page 14 for recommendations.
- Replace any worn or damaged parts.

Timing Belt Tensioning

⚠ WARNING

SEVERE HAZARD! LOCK OUT POWER before removing guards or performing maintenance. Exposed moving parts can cause serious injury.

1. Remove four screws and cover.



Figure 16

2. Loosen tensioner bolt and tension timing belt.

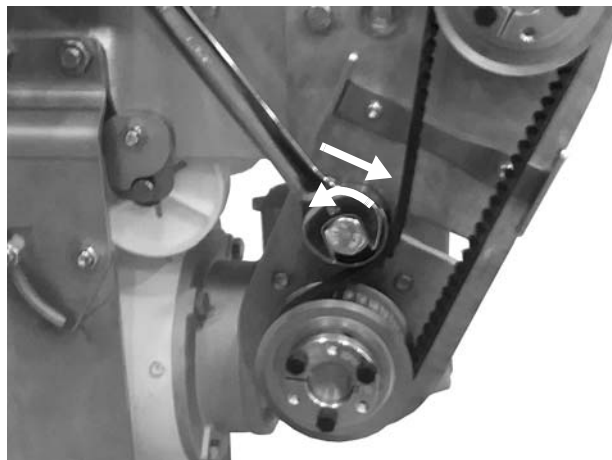


Figure 17

⚠ CAUTION

Over tightening of timing belt will result in reduced gearmotor and timing belt life.

3. Tighten tensioner bolt.
4. Install cover with four screws.



Figure 18

Preventive Maintenance and Adjustment

Timing Belt Replacement

⚠ WARNING



SEVERE HAZARD!
LOCK OUT POWER before removing guards or performing maintenance. Exposed moving parts can cause serious injury.

1. Remove four screws and cover.



Figure 19

2. Loosen tensioner bolt.

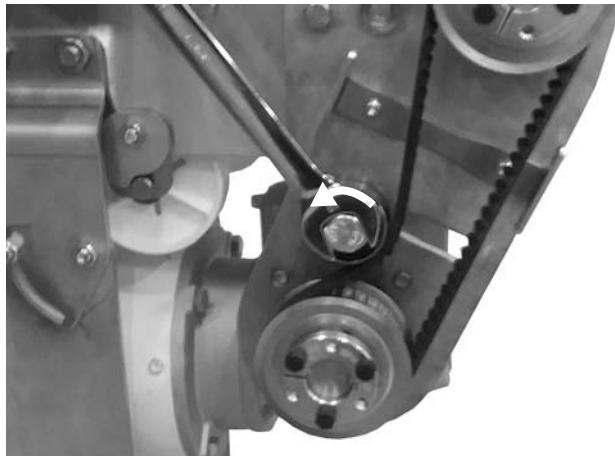


Figure 20

3. Remove timing belt.

NOTE

If timing belt does not slide over pulley flange, loosen driven pulley taper-lock screws and remove pulley with belt.

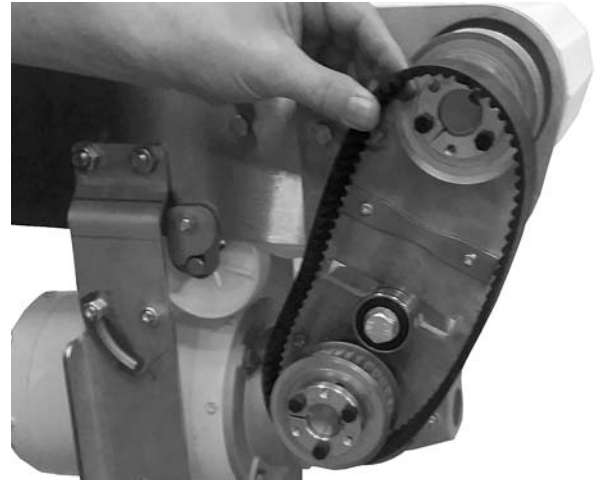


Figure 21

4. Install new timing belt.
5. Tension timing belt. Complete steps 2 and 3 of “Timing Belt Tensioning” section on page 8.
6. Install cover with four screws.



Figure 22

Preventive Maintenance and Adjustment

Drive or Driven Pulley Replacement

⚠ WARNING



SEVERE HAZARD!

LOCK OUT POWER before removing guards or performing maintenance. Exposed moving parts can cause serious injury.

1. Complete steps 1 through 3 of “Timing Belt Replacement” section on page 9.
2. Remove taper-lock screws. Insert taper lock screws in threaded holes. Tighten screws until pulley is loose. Remove pulley and taper hub assembly.

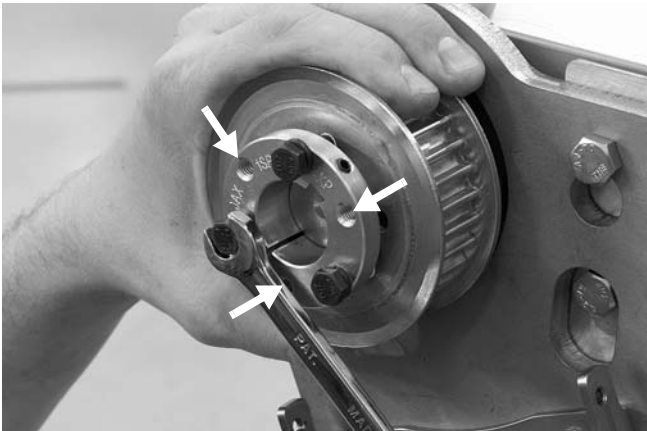


Figure 23

NOTE

If drive pulley is replaced, wrap timing belt around drive pulley and complete step 3.

3. Complete steps 10 through 14 of “Installation” section beginning on page 6.

Gear Reducer Replacement

⚠ WARNING



SEVERE HAZARD!

LOCK OUT POWER before removing guards or performing maintenance. Exposed moving parts can cause serious injury.

1. Remove four screws and cover.



Figure 24

2. Loosen tensioner bolt.

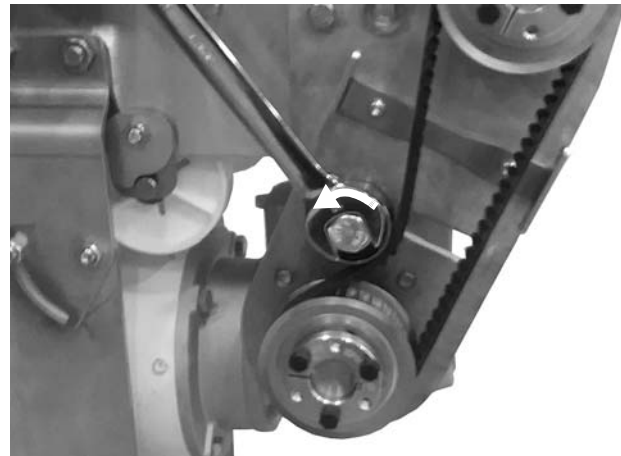


Figure 25

Preventive Maintenance and Adjustment

3. Remove timing belt.

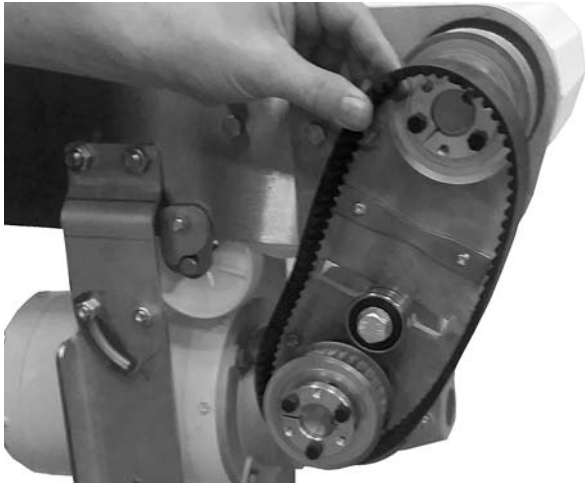


Figure 26

4. Remove drive pulley. Refer to “Drive or Driven Pulley Replacement” on page 10.

⚠ WARNING



BURN HAZARD!

DO NOT TOUCH the motor while operating, or shortly after being turned off. Motors may be **HOT** and can cause serious burn injuries.

⚠ WARNING



CRUSH HAZARD!

- **SUPPORT MOTOR PRIOR TO LOOSENING THE BOLTS**
- **Loosening motor bolts may cause it to drop down, causing serious injury.**

5. Remove gearmotor from gear reducer.



Figure 27

6. Remove gear reducer from mounting bracket.

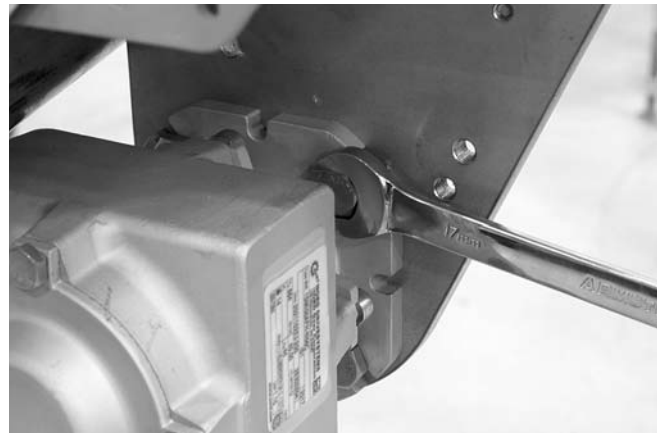


Figure 28

7. Remove four bolts and cover.



Figure 29

Preventive Maintenance and Adjustment

8. Remove bolt and washer from shaft.

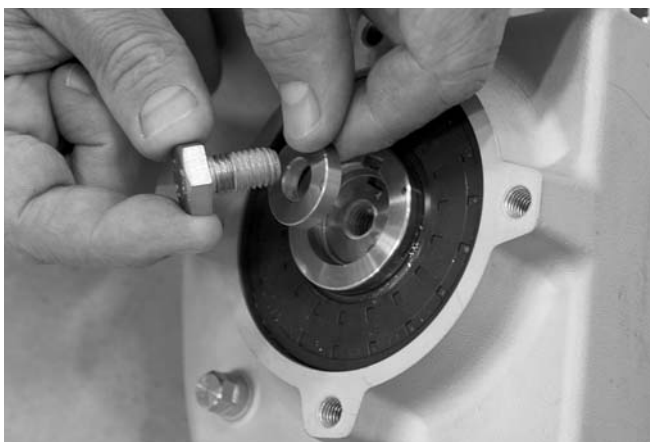


Figure 30

9. Remove snap ring.

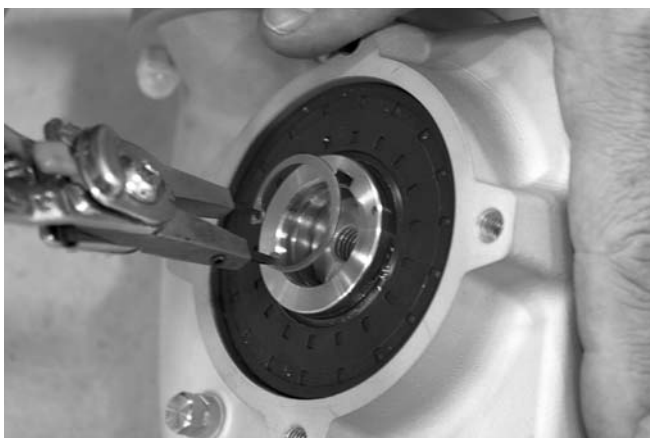


Figure 31

10. Remove gear reducer output shaft and key.

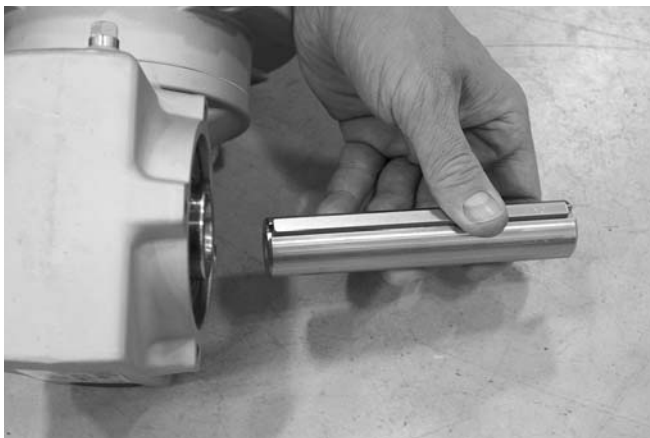


Figure 32

11. Insert a new shaft with key into a new gear reducer.

12. Install gear reducer components in the reverse of removal.

13. Attach gear reducer to the bottom mount assembly.

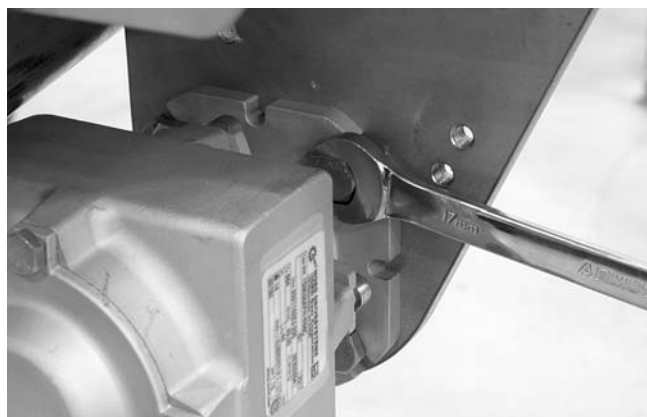


Figure 33

14. Install shaft key.

15. Install coupling (see label on coupling).



Figure 34

16. Install gearmotor to gear reducer.

17. Tighten bolts.





Figure 35

18. Install drive pulley. Refer to "Drive or Driven Pulley Replacement" on page 10.

19. Complete steps 9 through 14 of "Installation" section beginning on page 6.

Preventive Maintenance and Adjustment

Gearmotor Replacement

⚠ WARNING

SEVERE HAZARD! LOCK OUT POWER before removing guards or performing maintenance. Exposed moving parts can cause serious injury.
⚠ WARNING

BURN HAZARD! DO NOT TOUCH the motor while operating, or shortly after being turned off. Motors may be HOT and can cause serious burn injuries.

1. Loosen four bolts.



Figure 36

2. Remove gearmotor from gear reducer.



Figure 37

3. Install shaft key.
4. Install coupling (see label on coupling).
5. Install gearmotor to gear reducer.




Figure 38

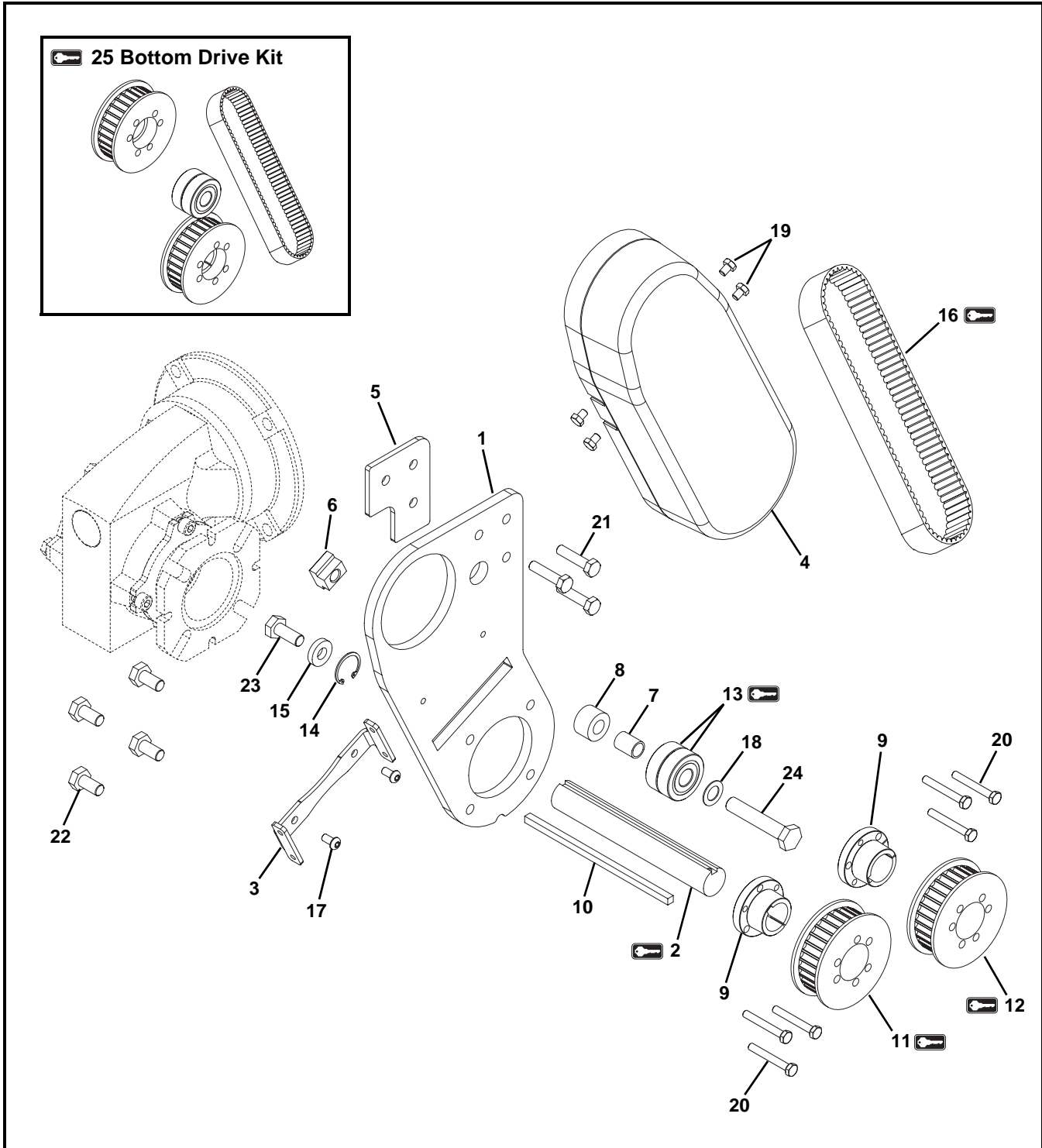
6. Tighten four bolts.

Service Parts

NOTE

For replacement parts other than those shown in this section, contact an authorized Dorner distributor or Dorner directly. Recommended Critical Service Parts and Kits are identified by the Key Service Parts symbol . Dorner recommends keeping these parts on hand.

Bottom Mount Drive Package

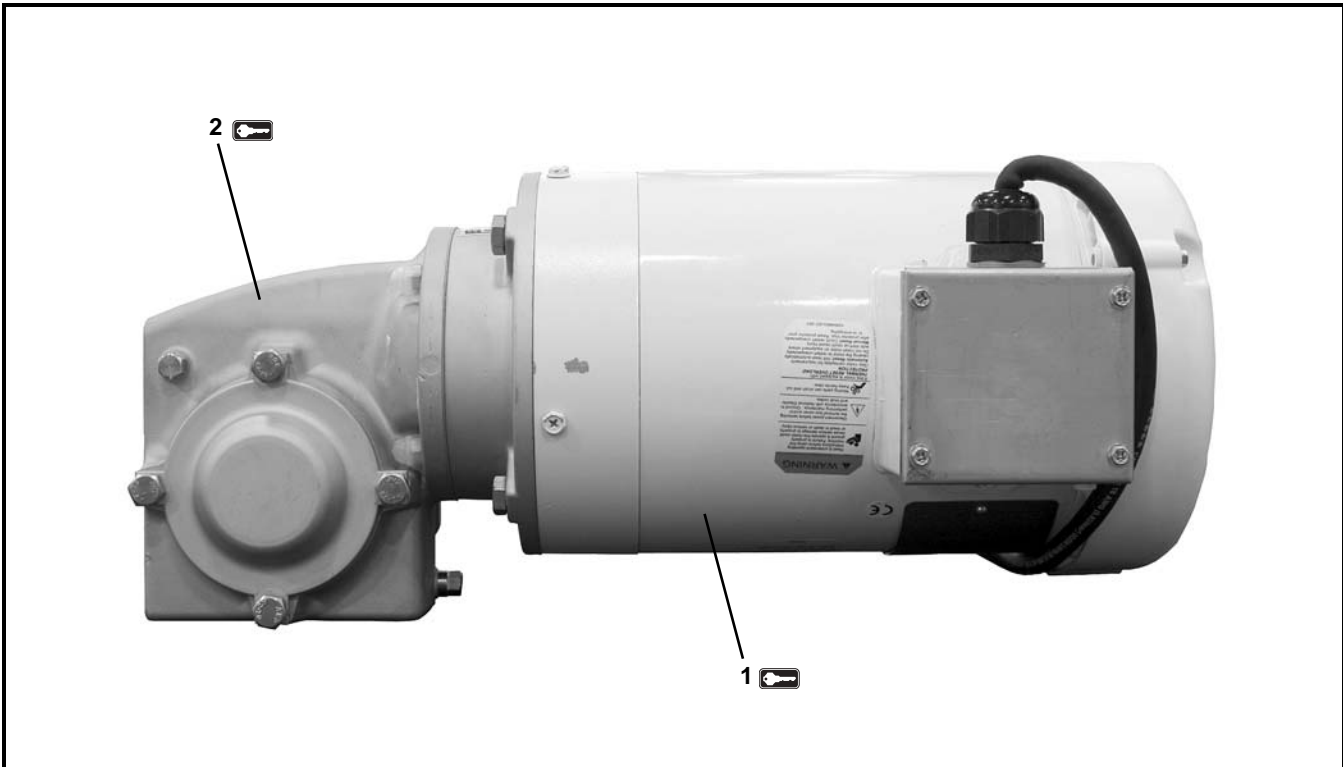




Service Parts

Item	Part Number	Description
1	518476	Motor Mount Plate for Straight Conveyors
	518345	Motor Mount Plate for Curve Conveyors
2	516916	Shaft
3	516917	Cover Bracket
4	518302	Drive Cover
5	518447	Spacer Plate for Curve Conveyors Only
6	518478	T-Nut
7	518479	Bearing Sleeve
8	518480	Spacer
9	532235	Bushing
10	523121-00650	Square Key, .25" x 6.50"
11	532234-30	Drive Pulley 30T
	532234-36	Drive Pulley 36T
12	532234-30	Driven Pulley 30T
13	802-202	Bearing
14	807-3303	Retaining Ring
15	807-3392	Washer
16	814-143	Timing Belt for 30:30 Pulley Ratio
	814-454	Timing Belt for 36:30 Pulley Ratio
17	910612MSS	Button Head Screw, M6-1.00 x 12 mm
18	911-518	Washer
19	960608MSS	Hex Head Cap Screw, M6-1.00 x 8 mm
20	960640MSS	Hex Head Cap Screw, M6-1.00 x 40 mm
	960830MSS	Hex Head Cap Screw, M8-1.25 x 30 mm (for Straight Conveyors)
	960835MSS	Hex Head Cap Screw, M8-1.25 x 35 mm (for Curve Conveyors)
22	961020MSS	Hex Head Cap Screw, M10-1.50 x 20 mm
23	961025MSS	Hex Head Cap Screw, M10-1.50 x 25 mm
24	961265MSS	Hex Head Cap Screw, M12-1.75 x 65 mm
25	520383-3030	Bottom Drive Kit for 30:30 Pulley Ratio (Includes items 9, 11, 12, 13 and 16)
	520383-3630	Bottom Drive Kit for 36:30 Pulley Ratio (Includes items 9, 11, 12, 13 and 16)
Service parts can be obtained through your distributor or directly from Dorner Mfg. Corp. (800) 397-8664 or customerservice@dorner.com		

Service Parts

Gearmotor Assembly



Item	Part Number	Description
1 	826-312	Painted Motor, 0.5 hp, 230/460 volts, 60 Hz, 3 phase
	826-354	Painted Motor, 1.0 hp, 208-230/460 volts, 60 Hz, 3 phase
	826-472	Painted Motor, 1.5 hp, 208-230/460 volts, 60 Hz, 3 phase
	826-431	Stainless Steel Motor, 0.5 hp, 230/460 volts, 60 Hz, 3 phase
	826-466	Stainless Steel Motor, 1.0 hp, 208-230/460 volts, 60 Hz, 3 phase
	826-464	Stainless Steel Motor, 1.5 hp, 208-230/460 volts, 60 Hz, 3 phase
2 	820-735	Gear Reducer, 10:1, Nema 56C
	820-736	Gear Reducer, 15:1, Nema 56C
	820-737	Gear Reducer, 20:1, Nema 56C
	820-738	Gear Reducer, 30:1, Nema 56C
	820-739	Gear Reducer, 40:1, Nema 56C
	820-740	Gear Reducer, 60:1, Nema 56C

Return Policy

Returns must have prior written factory authorization or they will not be accepted. Items that are returned to Dorner without authorization will not be credited nor returned to the original sender. When calling for authorization, please have the following information ready for the Dorner factory representative or your local distributor:

1. Name and address of customer.
2. Dorner part number(s) of item(s) being returned.
3. Reason for return.
4. Customer's original order number used when ordering the item(s).
5. Dorner or distributor invoice number. Include part serial number if available.

A representative will discuss action to be taken on the returned items and provide a Returned Materials Authorization (RMA) number for reference. RMA will automatically close 30 days after being issued. To get credit, items must be new and undamaged. There will be a return charge on all items returned for credit, where Dorner was not at fault. It is the customer's responsibility to prevent damage during return shipping. Damaged or modified items will not be accepted. The customer is responsible for return freight.

Product Line	Product Type								Engineered to order parts
	Standard Products								
	Conveyors	Gearmotors & Mounting Packages	Support Stands	Accessories	Spare Parts (non-belt)	Spare Belts - Standard Flat Fabric	Spare Belts - Cleated & Spec. Fabric	Spare Belts - Plastic Chain	All equipment and parts
1100 Series	30% return fee for all products except: 50% return fee for conveyors with modular belt, cleated belt or speciality belts All Electrical items are assigned original manufacturers return policy.						non-returnable		case-by-case
2200 Series									
3200 Series									
Pallet Systems									
FlexMove/SmartFlex									
GAL Series									
All Electrical									
7100 Series	50% return fee for all products						non-returnable		case-by-case
7200/7300 Series									
AquaGard 7350 Series Version 2									
GES Series									
AquaGard 7350/7360 Series	non-returnable								
AquaPruf Series	non-returnable								

Returns will not be accepted after 60 days from original invoice date. The return charge covers inspection, cleaning, disassembly, disposal and reissuing of components to inventory. If a replacement is needed prior to evaluation of returned item, a purchase order must be issued. Credit (if any) is issued only after return and evaluation is complete.

Dorner has representatives throughout the world. Contact Dorner for the name of your local representative. Our Customer Service Team will gladly help with your questions on Dorner products.

For a copy of Dorner's Warranty, contact Dorner, an authorized sales channel or visit our website: www.dorner.com.

For replacement parts, contact an authorized Dorner Service Center or the factory.

www.dorner.com



© Dorner Mfg. Corp. 2018. All Rights Reserved.

Dorner – North & South America

Dorner – U.S.A.

Headquarters
 975 Cottonwood Ave
 Hartland, WI 53029, USA
 (800) 397-8664
 (262) 367-7600
info@dorner.com

Dorner – Canada

100-5515 North Service Road
 Burlington, Ontario L7L 6G6
 Canada
 (289) 208-7306
info@dorner.com

Dorner – Latin America

Carretera a Nogales #5297, Nave 11.
 Parque Industrial Nogales
 Zapopan, Jalisco C.P. 45222 México
 +52.33.30037400 | info.latinamerica@dorner.com

Dorner – Europe

Karl-Heinz-Beckurts-Straße 7
 52428 Jülich, Germany
 +49 (0) 2461/93767-0 | info.europe@dorner.com

Dorner – Asia

128 Jalan Permatang Damar Laut, Bayan Lepas 11960
 Penang, Malaysia
 +604-626-2948 | info.asia@dorner.com