

DORNER[®]



AquaGard[®]
7350 Series



AquaGard 7350 Series

Dorner's flagship stainless steel product line, AquaGard, is designed to exceed industry standards and customer demands. AquaGard 7350 is now available with the most advanced modular curve chain in the market



What makes 7350 Different?

- Tip-up tails on straight conveyors for improved access to inside of conveyor for cleaning
- Tool-free removal of wear strips and return components
- Flat side frames reduce overall width
- Safest modular belt for products and personnel
- Curved modular belt offers industry-best layout flexibility
- Industry best 10 year warranty
- Backed by Certified ISO Quality Management System
- BISSC Certified



AquaGard 7350 Series Offering

Traditional Belt

- Flat Belt & Cleated Models
- Flat & Cleated Belt LPZ (Z-Frame) Models

Positive Drive

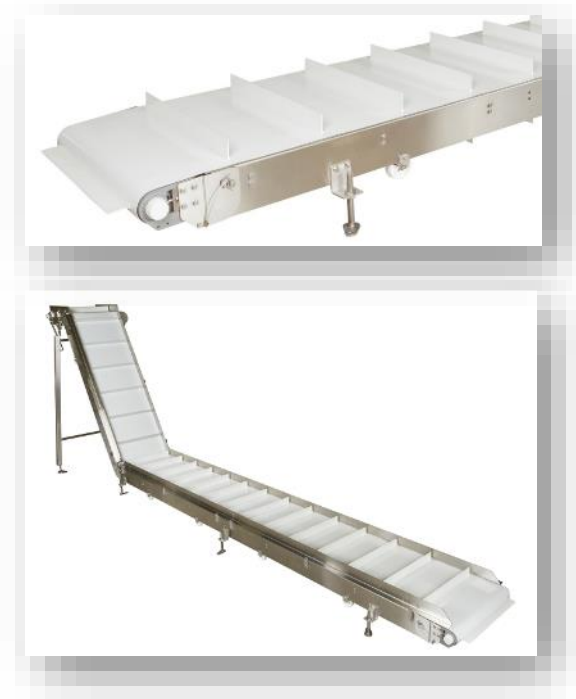
Modular Belt

- Flat & Cleated Modular Belt Models
- Curved Belt
- Flat & Cleated Belt LPZ (Z-Frame) Models



Specifications

- Bolt together 304 Stainless Steel Frame with minimal horizontal surfaces
- FDA approved belting and plastic components
- Suitable for use in wet environments and wipe down or low pressure washdown with non-caustic solutions
- Loads up to 750 lbs
- Widths: 6" – 3'
- Lengths: 3' – 82'
- Available in straights, curves or Z-Frame configurations



Positive Drive Conveyor

- Positively Driven Belt avoids slipping in wet environments
- Does not need to be tensioned or tracked
- Tip Up Tails for access inside conveyor for cleaning and maintenance
- Positive Belt control on drive sprockets

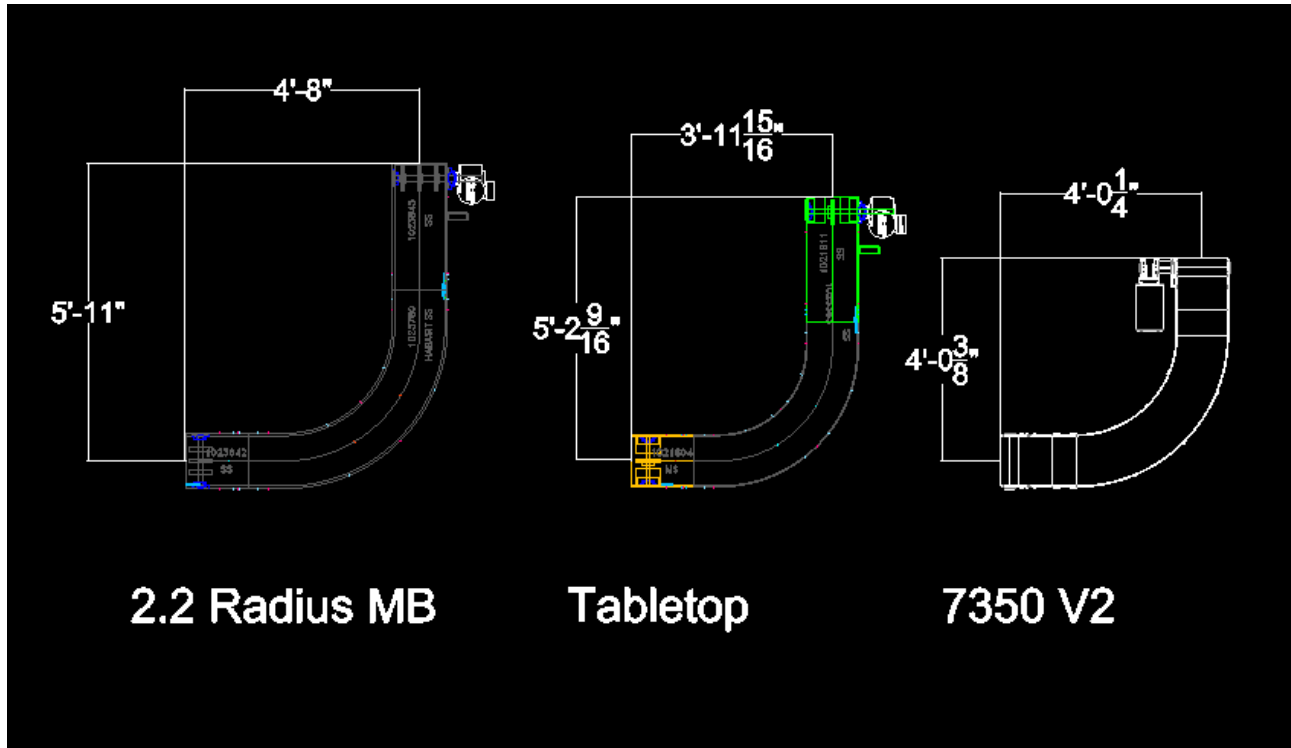


New Exclusive Modular Belt for Curves

- Sideflexing Modular Belt
- Multiple turns at 1.6x radius
- Belt does not have a single turn direction
- Capable of pulling heavier loads longer distances
- Shorter transitions adjacent to curves
- No large edge openings compared to 7-1/2" and 12" tabletop chain



7350 MB Layout Advantage

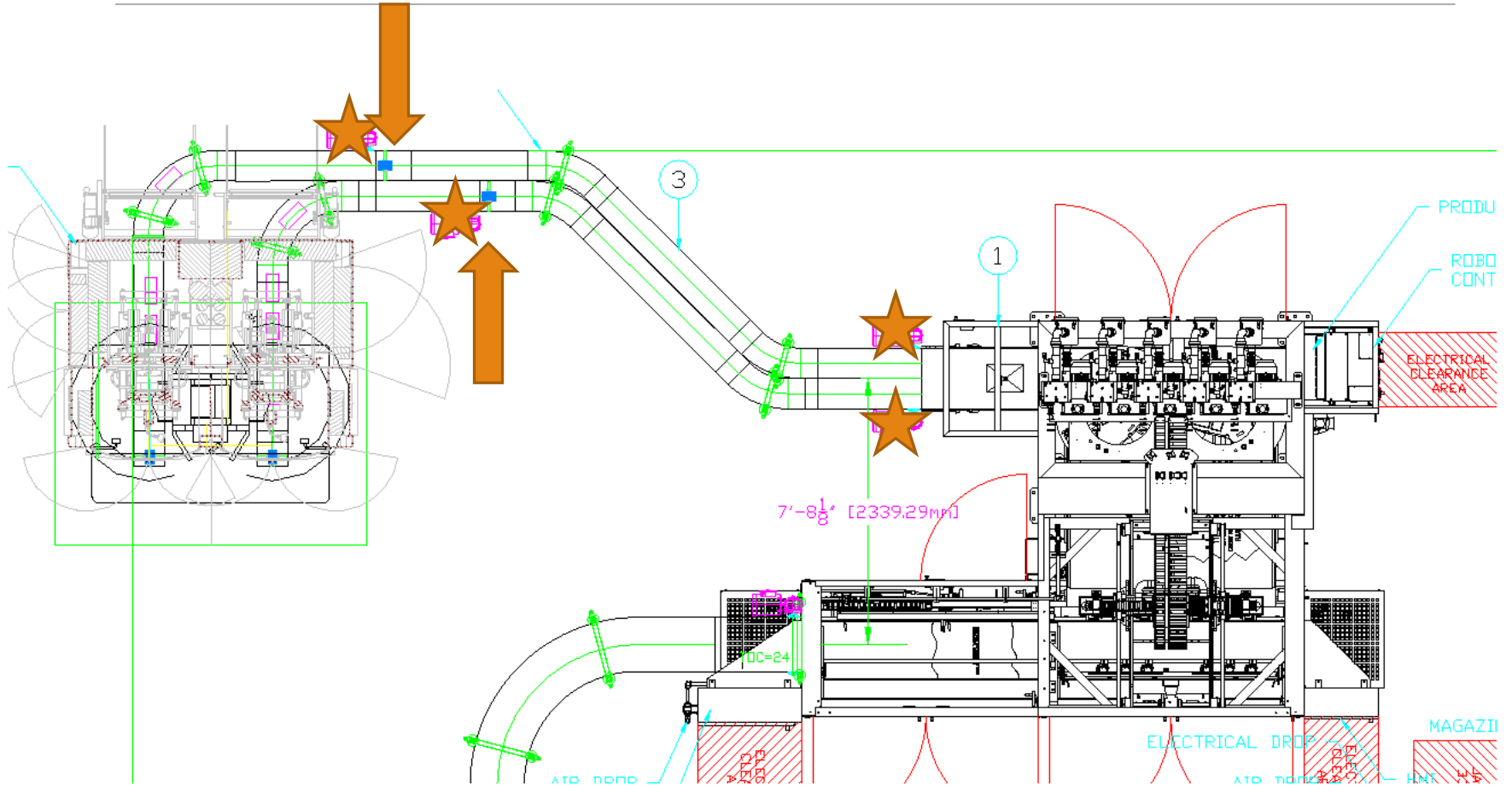


2.2 Radius MB

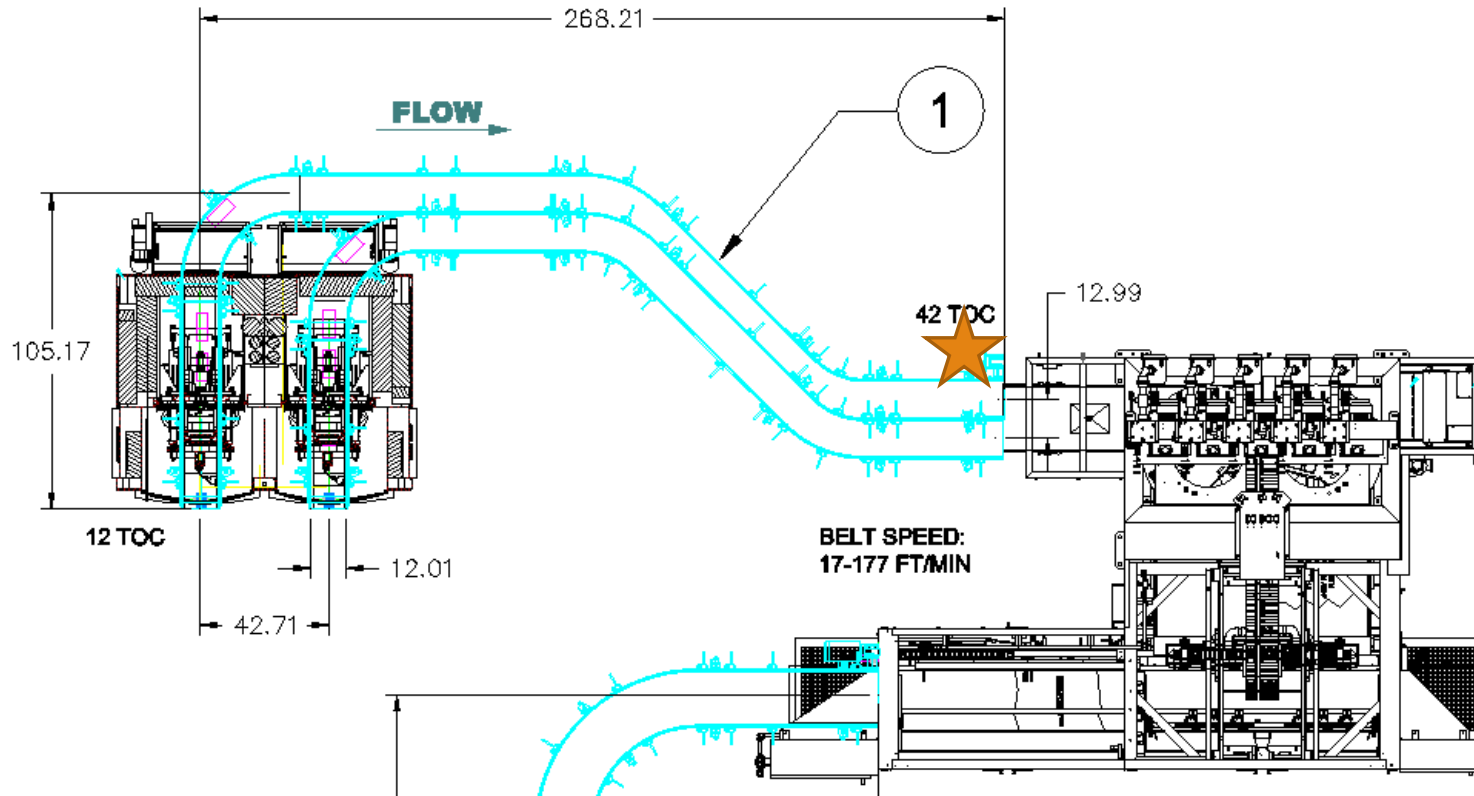
Tabletop

7350 V2

Real World Example

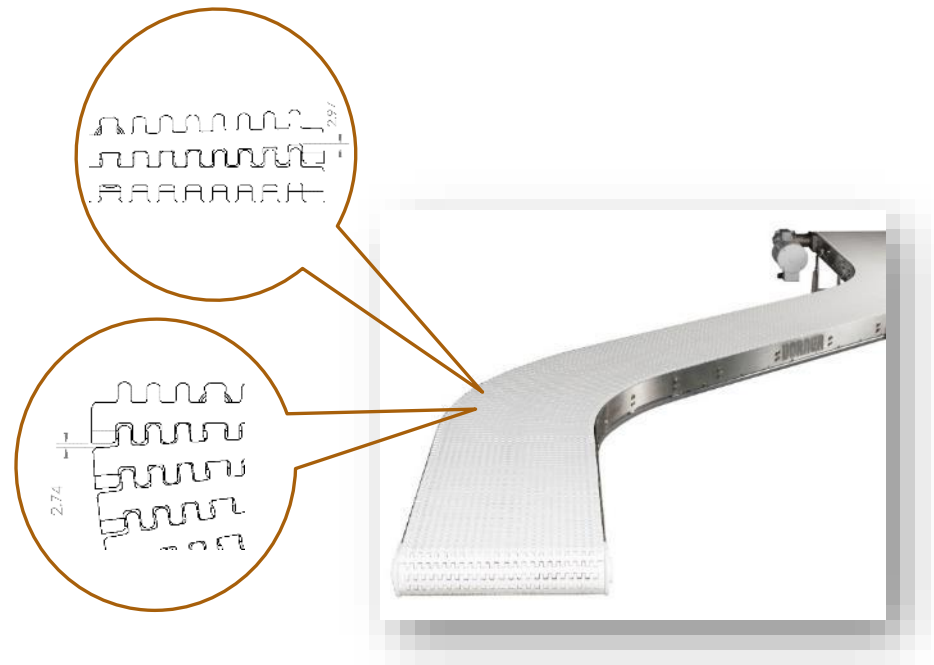


Real World Example



Safest Curved MB Conveyor in the Industry

- Only sideflexing modular belt in North America that meets the new International Standard for maximum 4 mm openings
- Designed with workers in mind
- Upper and lower chain edges covered



Markets & Applications

Packaging

- All Food (post processing)
- Industrial / Medical / Pharma
- Secondary Packaging

Wet Production

- Personal care products
- Household cleaners
- Automotive fluids

Processing

- Bakery, Snack Foods & Confectionary
- Fruits, Vegetables, RTE (non-protein or dairy)
- Medical, Pharma & Personal Care



Solves Customer Problems

Fast Product Changeover

- Tool-less construction can be quickly cleaned
- Tool-less product guides available

Dealing with Multiple SKUs and Package formats

- Belts provide more versatility than tabletop chains or live roller conveyors
- Better support for flexible packages

Fitting Equipment into existing lines

- Sideflexing belts have tighter radius
- Longer belts pulls compared to conveyor modular belts
- Up to 4 turns on a single modular belt conveyor
- Positive drive eliminates the need for belt take-up space

Solves Customer Problems

Reduces Maintenance

- Tool-less construction simplifies and speeds up maintenance
- Available Positive Drive eliminates time required for take-up and belt tracking adjustments
- Available Positive Drive reduces tension on the shafts – increasing the life of bearings and other components
- Strength and flexibility of curved modular belt can reduce drive count and related hardware concerns

Solves Customer Problems

Preventing Product Damage or Loss

- Wide range of transfer options available – prevents jams at transitions
- Reducing drive count also eliminates potential damage points
- No openings in belts more than 4 mm where product can get caught

Limits risk of worker injury

- No belt openings over 4 mm where hair, fingers, or PPE can get caught
- Reduced drive counts also reduce the number of potential pinch points
- Belts conform to the highest international safety standards
- Modular Belt Edges are protected on both top and bottom of conveyor to prevent entanglement

Dorner Value

Only 10 Year Warranty

- No Local Fab shop can match it
- No Large Company matches it

ISO Certified

- Every conveyor is subject to strict quality controls
- Conveyors are fully documented and repeatable

Industry Best Lead Times

- None of the large conveyor companies can match us

Offering both Catalog and Customized Systems

- Mix and match to give best value

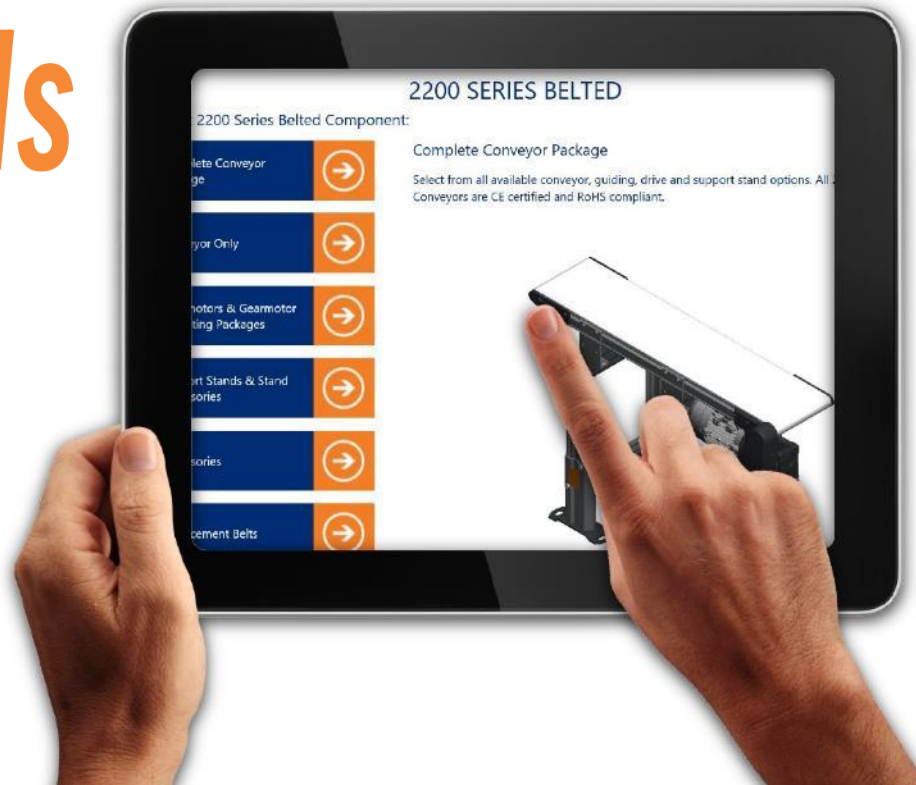
Dorner
7X Series
Sanitary Conveyors

Your industry. Your way.




TÜVRheinland[®]
Precisely Right.

D-Tools Update



AquaGard 7350 Enhancements

- Lines/conveyors can be added to quotes and those conveyors can be modified as required.
- A completed quote can be called up, copied and modified as needed.
- CAD models will be auto generated to the new modified specifications
- Quotes will be sent in an e-mail format exactly as you receive in 2200/3200 Series type product quotes.
- Excel based quotes can be downloaded in the exact type format as 2200/3200 Series type product quotes.
- You will receive an e-mail notification of CAD ready. The download screen for CAD download has been enhanced for ease of access.

QUESTIONS

AquaGard[®] 7350 Series

Chuck Sena

Chuck.Sena@dorner.com

262-369-1351

Stacy Johnson

Stacy.Johnson@dorner.com

262-369-1253

