

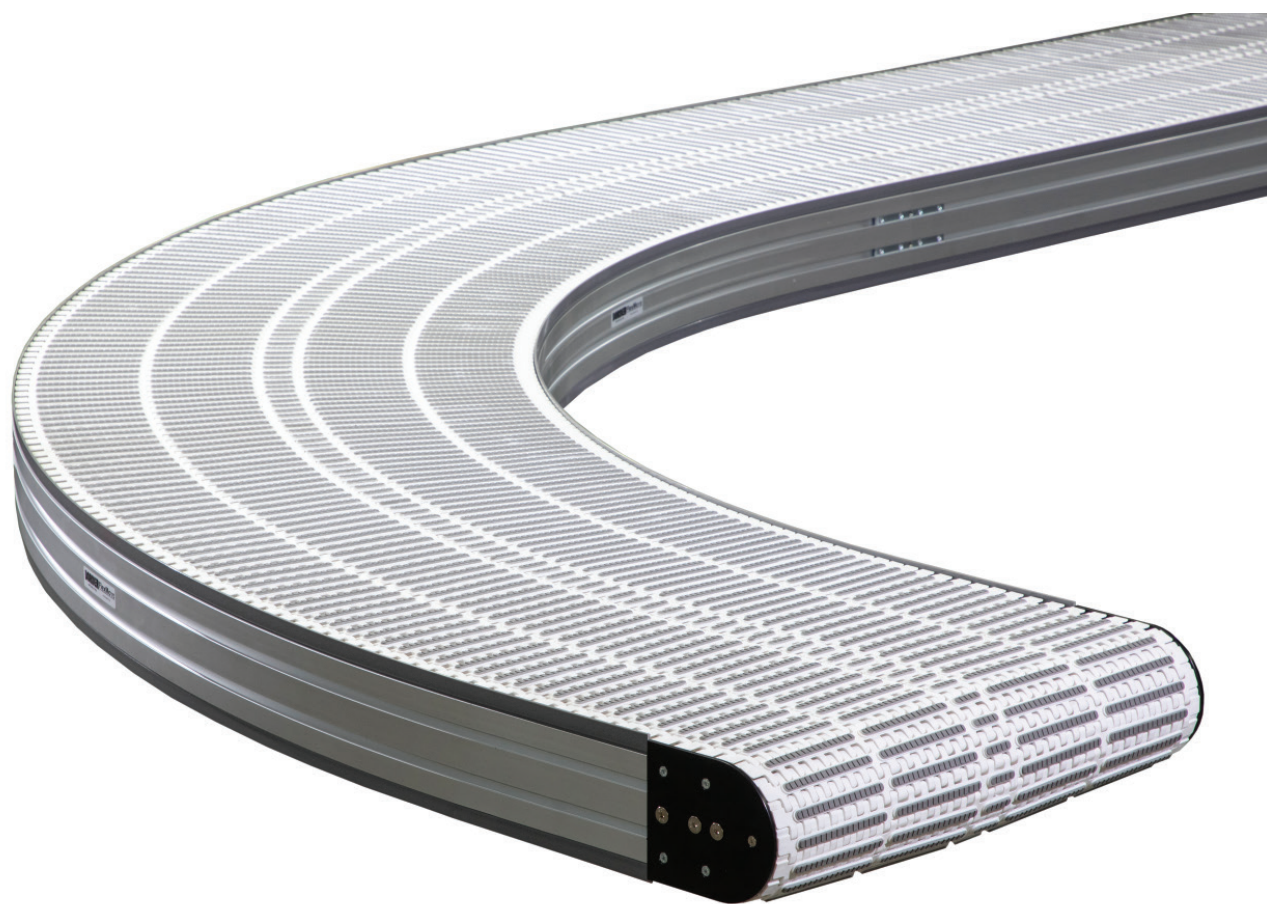
ENGINEERING MANUAL

Up to Four Curves
on a Single Conveyor

Compact, Sleek
Frame Structure

Safe & Robust
Chain Design

Driven Transfers for
Small Part Handling



FlexMove®

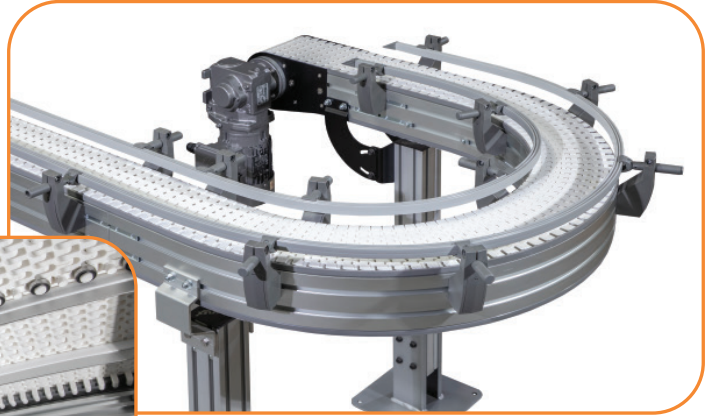
FX SERIES CONVEYORS

Compact, Heavy Duty,
Flexible Chain Conveyors

DORNER® 

Compact Design Saves Critical Floor Space

- Infeed and exit sections as short as 460 mm
- Turn radius of 2X the belt width
- Innovative bearing chain design allows for up to four curves on a single gearmotor



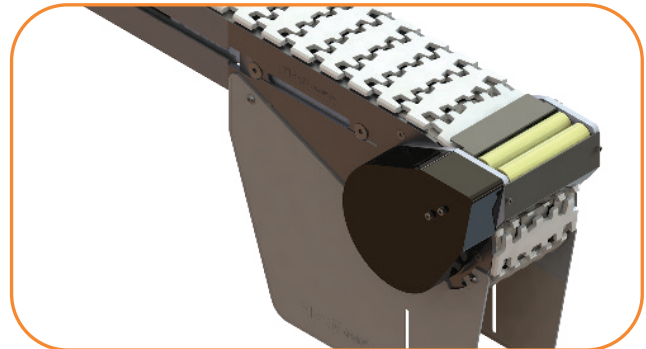
Safest Modular Belt Conveyor in the Industry

- Chain openings less than 4 mm, even on curves
- Covered side tabs along the full length of the conveyor rail
- Contained drive eliminates catenary belt for operator safety



Small Parts Transfers - Driven Bridge Option

- Transfer small parts, as small as 75 mm long in-line
- Driven rollers provide smooth transfer
- Provides interface to other large roller conveyors such as spirals or freezers



The Benefits of a Dörner FlexMove FX Series Conveyor

Flexibility in Layout and Design

- T-slot aluminum frames allows for easy-to-install add-ons and custom design changes
- Variety of chain tops with features to suit different application needs

Heavy Duty Performance

- Straightforward and compact design maximizes space while minimizing noise, maintenance, and space
- High speeds up to 50 m/min and product loads up to 272 kg
- Robust single pin chain design with 1/4 turn screw for easy removal anywhere along the length of the straight
- Stainless Steel center bearing chain design features enhanced turning performance

IDLER END

REFER TO TABLE BELOW

DIRECT END DRIVE

REFER TO TABLE BELOW

CHAIN

REFER TO TABLE BELOW

GUIDING (FG)

PAGES 38-60

INTERMEDIATES

REFER TO TABLE BELOW

SUPPORTS AND BEAMS (FB)

PAGES 61-71

ACCESSORIES (FA)

PAGES 72-75

HORIZONTAL PLAIN BEND

REFER TO TABLE BELOW

GEARMOTORS AND CONTROLLERS

PAGES 76-79

FX 152

152 mm wide

PAGES 6-13

FX 457

457 mm wide

PAGES 22-29

FX 304

304 mm wide

PAGES 14-21

FX 609

609 mm wide

PAGES 30-37



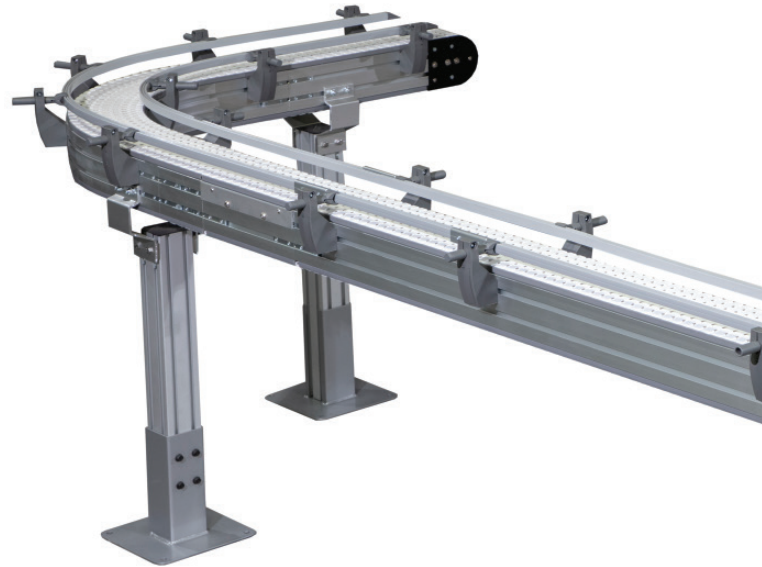
TECHNICAL DATA & CALCULATIONS

PAGES 80-86



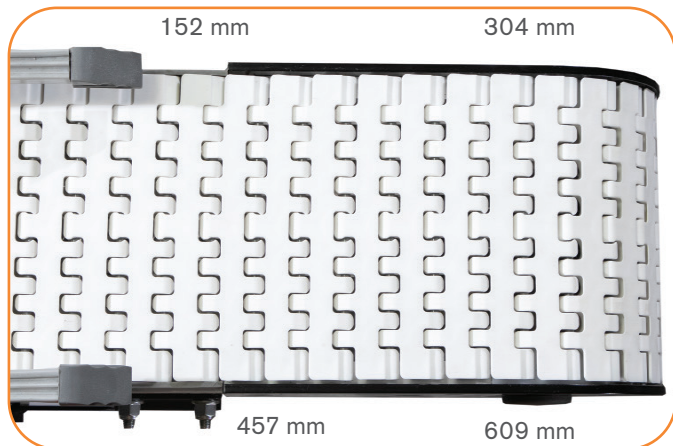
EFFICIENT DESIGN:

INNOVATIVE STAINLESS STEEL CENTER BEARING CHAIN VIRTUALLY ELIMINATES FRICTION AND PROVIDES THE ABILITY OF UP TO FOUR CURVES ON A SINGLE GEARMOTOR.



COMPACT FOOTPRINT:

INFEED AND OUTFEED SECTIONS AS SHORT AS 450MM, VERTICAL BENDS FROM 5 TO 25 DEGREES AND HORIZONTAL BENDS FROM 15 TO 180 DEGREES IN STANDARD CHOICES, THE FX SERIES MAKES EFFICIENT USE OF THE SPACE.

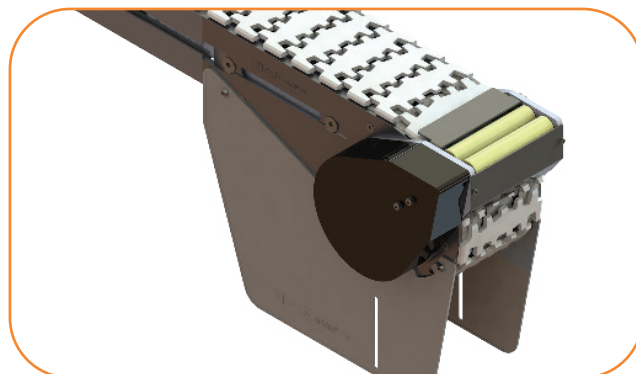


CHAIN SAFETY:

THE FX SERIES CHAIN IS DESIGNED SO THAT NO OPENING IN THE CHAIN WILL EXCEED 4MM, EVEN IN CURVES. THE TOP OF THE CHAIN HAS A FLAT TOP SURFACE WITH NO EDGES.

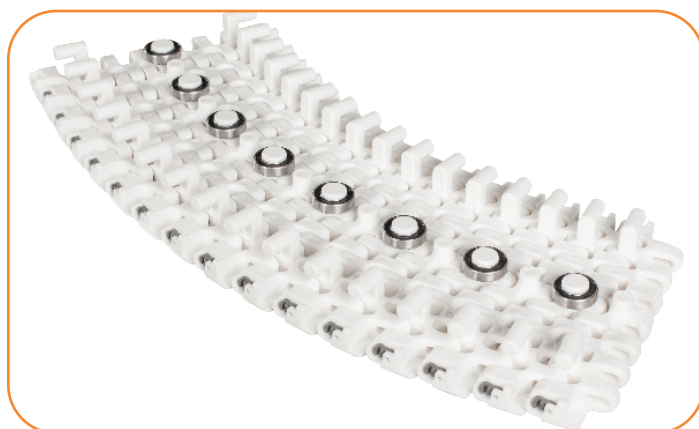
(4) STANDARD CHAIN WIDTHS:

WIDTHS FROM 152 MM TO 609 MM PROVIDE A CONSISTENT FLAT CHAIN SURFACE TO SUPPORT SMALL PACKAGES, BAGS, POUCHES UP TO LARGE CASES.



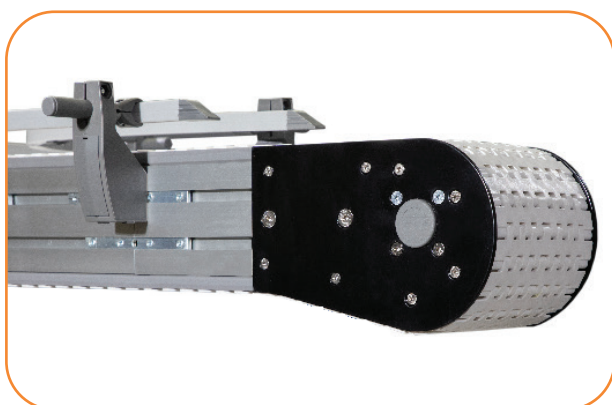
SMALL PART HANDLING:

TRANSFERRING PARTS OR MATERIALS FROM CONVEYOR TO THE NEXT IS CRITICAL, THAT IS WHY THE SMOOTH POWER TRANSFER TAIL OPTION THAT CAN TRANSFER PARTS AS SHORT AS 75MM IN DIAMETER WAS DESIGNED. ALONG WITH THE ROLLER TRANSFER THESE OPTIONS ARE AVAILABLE ON THE DRIVE AND IDLER ENDS TO MOVE PRODUCTS WITHOUT ISSUE THROUGH THE PROCESS LINE.



ROBUST CHAIN:

THE CHAIN IS MOLDED TO WIDTH UP TO 609 MM, THE STRONGEST 25MM PITCH CURVED CHAIN STRENGTH AT 2700N AND HAS A SINGLE 1/4 TURN NYLON PIN FOR MAKING ADJUSTMENTS TO CHAIN LENGTH.



CONTAINED DRIVE SYSTEM:

THE CONTAINED DRIVE SYSTEM FOR THE FX SERIES IS A SAFER, QUIETER OPTION WITH ITS NO CATENARY DESIGN.

FX152 Series Characteristic

Beam Width: 163 mm

Product Width: Refer to Guide Rail Assembly

Accessories Needed

Slide Rail Required:
FASR-3E

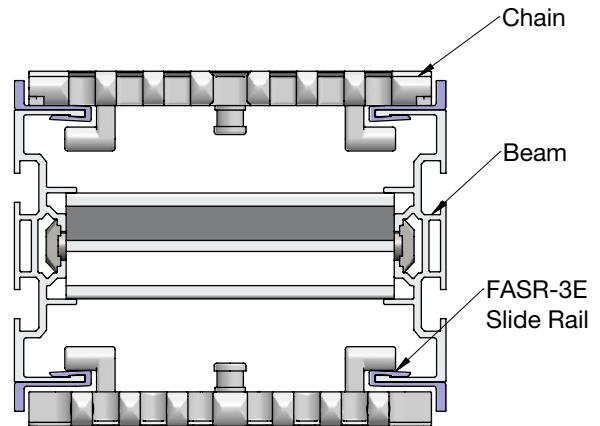
Slide Rail Material:
HDPE

Slide Rail Color:
White

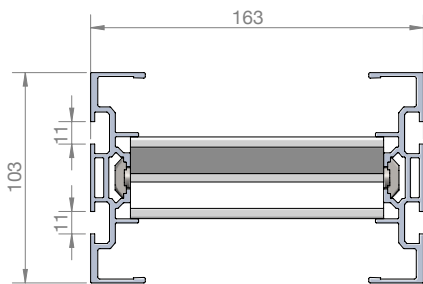
Slide Rail Rivet and Screw:
FASLR-4X6 or FASLS-M5

Connecting strip is used to connect 2 beams.

Connecting Strip: FACS-20X140



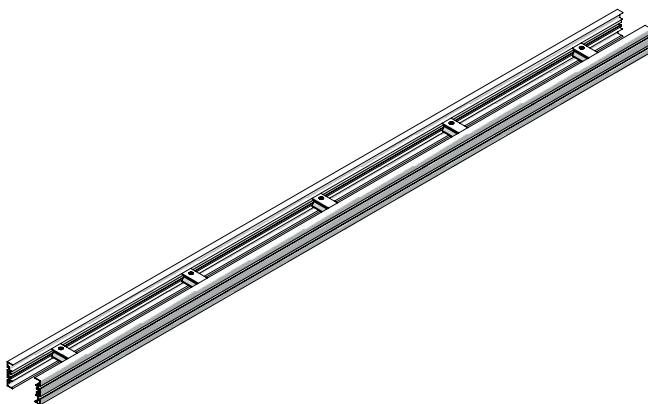
Conveyor Beam FXCB152-LLLL



Where LLLL = Length (mm)
Minimum Length: 150 mm
Maximum Length: 3000 mm

UOM: each

Conveyor Beam Assembly



FlexMove FX Series conveyors are designed to be flexible in length.
For ease of fabrication, conveyor beam should be disassembled for cutting to specific lengths.

Chain Common Data

Packaging: 3 m per box
Pitch: 25.4 mm
Color: White (Standard)
 Blue (Optional - contact factory)

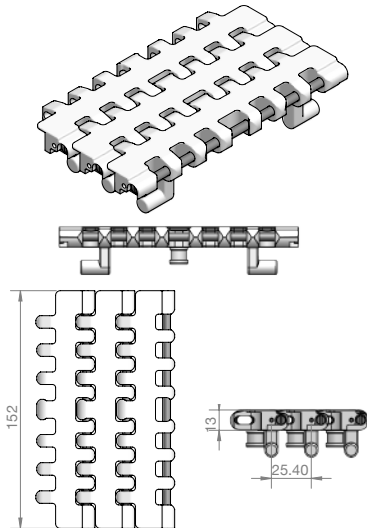
Width: 152 mm
Tensile Strength at 20°C: 8470 N

Material

Chain: White Acetal / POM
Pivot Pin: Nylon
Insert (Wedge & Friction): TPE Grey

Straight Conveyors

Standard Plain Chain FXPC152-3

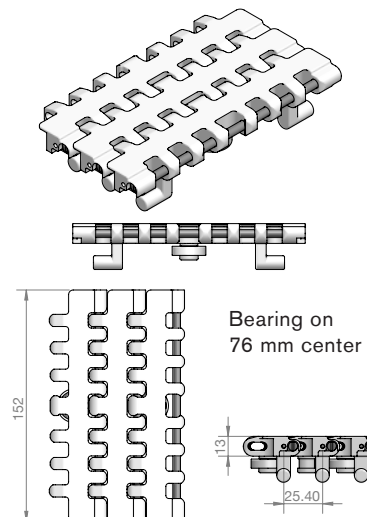


UOM: 3 Meter / box

Application: Suitable for horizontal and slope <5 Degree transport of products without/ with light accumulation

Curved Conveyors

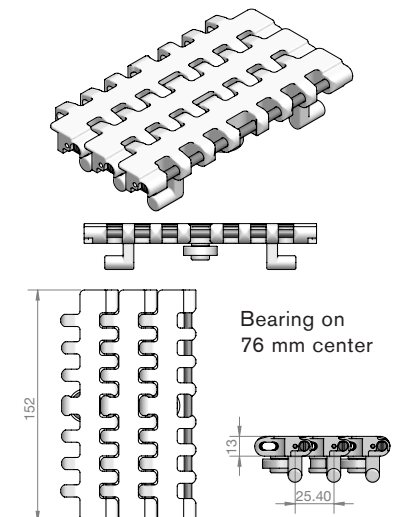
Standard Plain Chain with Alternate Bearing FXPC152-3R2



UOM: 3 Meter / box

Application: Suitable for horizontal and slope <5 Degree transport of products without/ with light accumulation

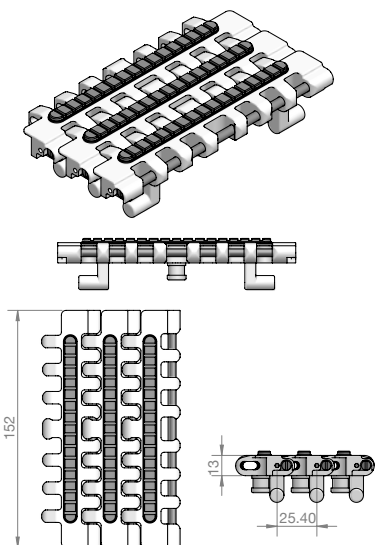
Standard Plain Chain with Alternate S/Steel Bearing FXPC152-3RS2



UOM: 3 Meter / box

Application: Suitable for horizontal and slope <5 Degree transport of products without/ with light accumulation

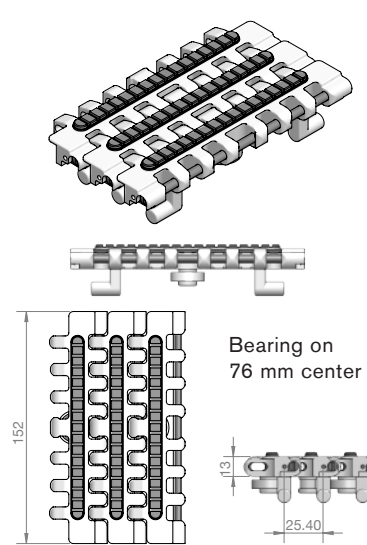
Friction Top Chain FXFT152-3



UOM: 3 Meter / box

Application: Suitable for horizontal and slope >5 Degree but <= 25 Degree transport of products without accumulation

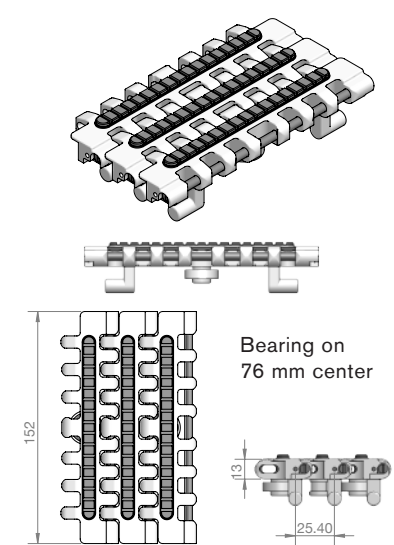
Friction Top Chain with Alternate Bearing FXFT152-3R2



UOM: 3 Meter / box

Application: Suitable for horizontal and slope >5 Degree but <= 25 Degree transport of products without accumulation

Friction Top Chain with Alternate S/Steel Bearing FXFT152-3RS2

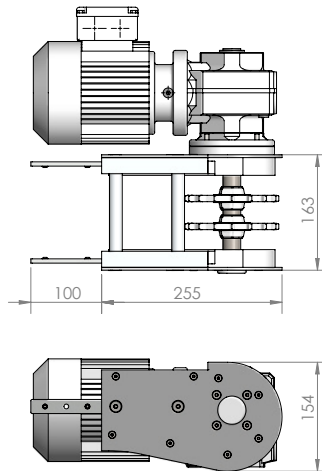
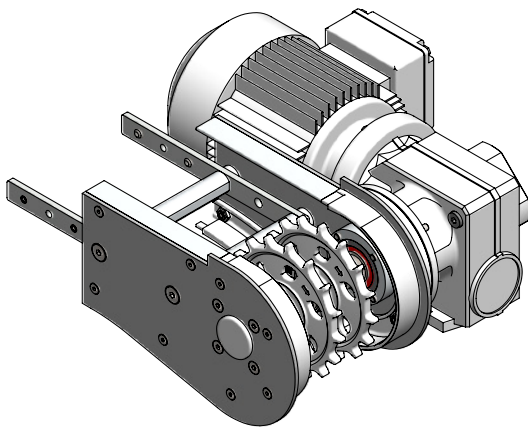


UOM: 3 Meter / box

Application: Suitable for horizontal and slope >5 Degree but <= 25 Degree transport of products without accumulation

FX152 Direct End Drive (LEFT)

FXDD152-0L



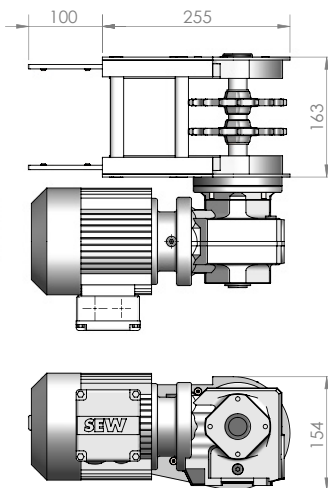
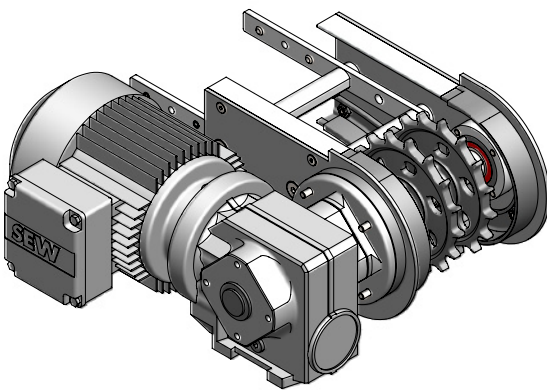
Max Traction Force: 1150 N
The Direct End Drive Unit is without torque limiter.

UOM: pc
Chain required 2-way: 0.58 m
Slide rail required 2-way: 0.8 m

Order Gearmotor Separately

FX152 Direct End Drive (RIGHT)

FXDD152-0R



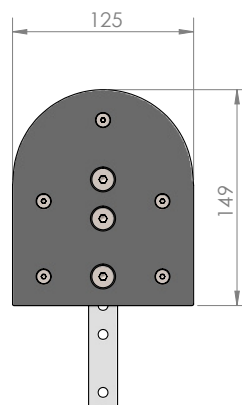
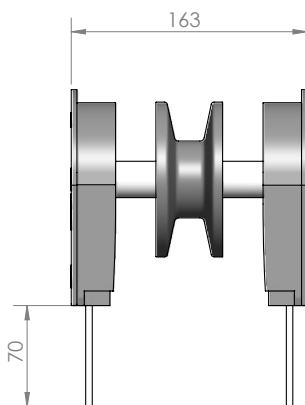
Max Traction Force: 1150 N
The Direct End Drive Unit is without torque limiter.

UOM: pc
Chain required 2-way: 0.58 m
Slide rail required 2-way: 0.8 m

Order Gearmotor Separately

FX152 Idler End

FXIE152

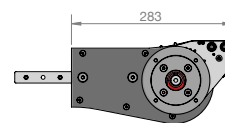
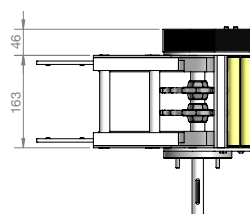
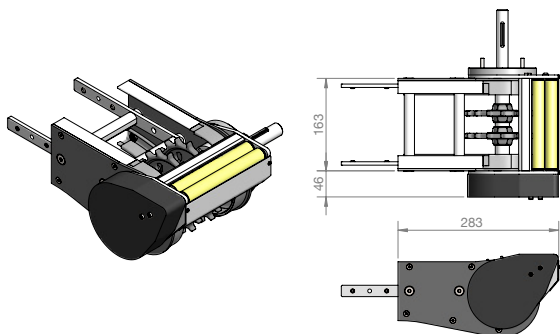


UOM: pc
Chain required 2-way: 0.35 m
Slide rail required 2-way: 0.0 m

Driven Transfer Drive

FXDD152-DB-A-0L (LEFT)

FXDD152-DB-A-0R (RIGHT)



Max Traction Force: 1150 N

The Direct End Drive Unit is without torque limiter.

UOM: pc

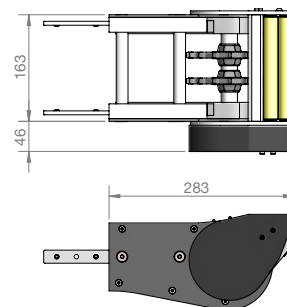
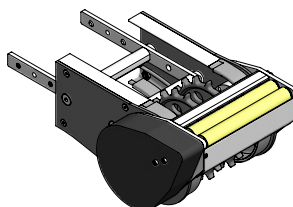
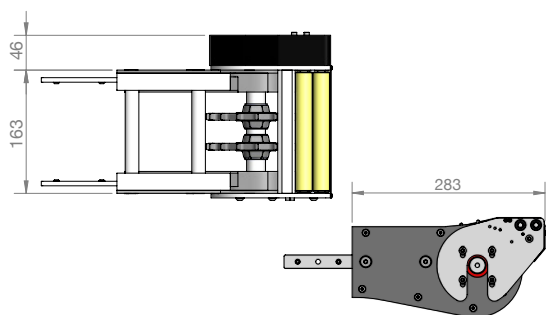
Chain required 2-way: 0.58 m

Slide rail required 2-way: 0.8 m

Driven Transfer Idler

FXIE152-DB-A-L (LEFT)

FXIE152-DB-A-R (RIGHT)



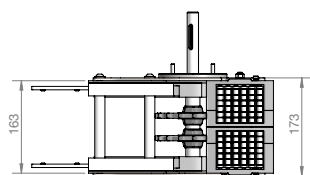
UOM: pc

Chain required 2-way: 0.58 m

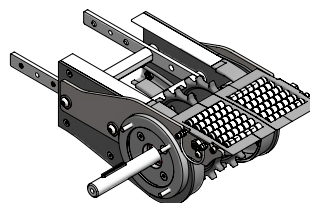
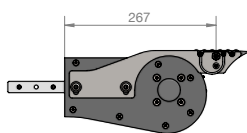
Slide rail required 2-way: 0.8 m

Roller Transfer Drive

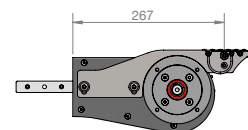
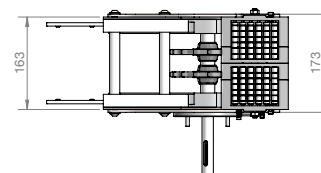
FXTB-A152



(Left)



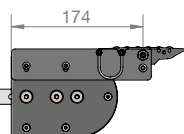
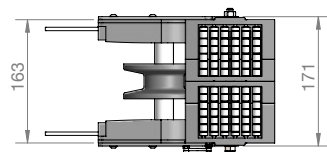
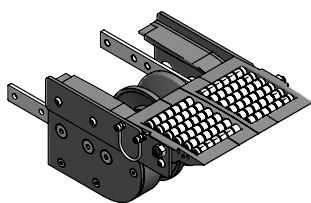
(Right)



Order Drive Tail Separately

Roller Transfer Idler

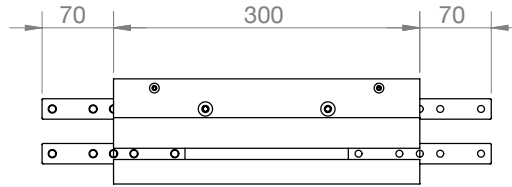
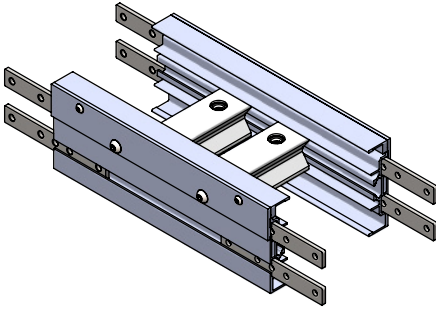
FXETB-A152



Order Idler Tail Separately

Chain Connecting Module

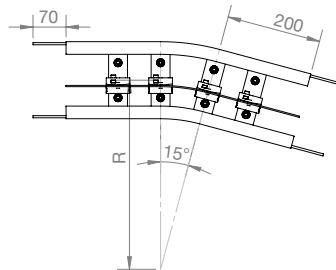
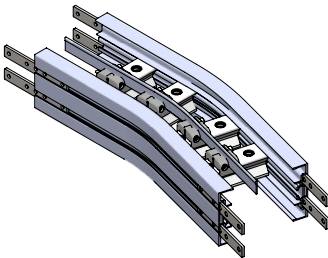
FXCC152



Required on all conveyors

UOM: pc

FX152 Horizontal Plain Bend 15°



Horizontal plain bend, 15° ± 1°

R = 400 ± 10 mm **FXHB152X-15R400**

R = 800 ± 10 mm **FXHB152X-15R800**

Where X = Blank or S

S = Includes outer pinch guard slide rail

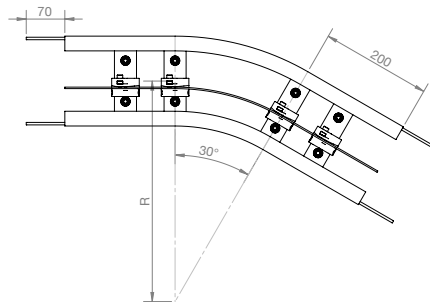
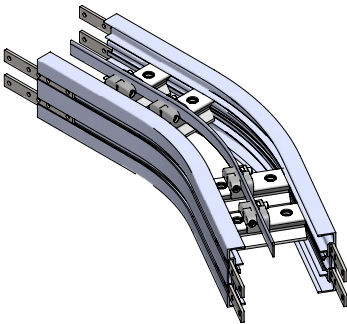
Blank = No slide rail included

UOM: pc

Chain required 2-way (400, 800): 1.0, 1.2 meter

Slide rail required 2-way (400, 800): 2.5, 3.0 meter

FX152 Horizontal Plain Bend 30°



Horizontal plain bend, 30° ± 1°

R = 400 ± 10 mm **FXHB152X-30R400**

R = 800 ± 10 mm **FXHB152X-30R800**

Where X = Blank or S

S = Includes outer pinch guard slide rail

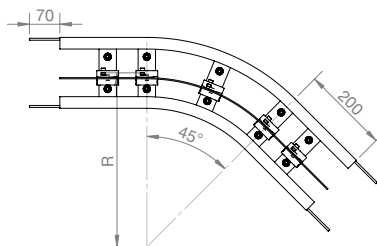
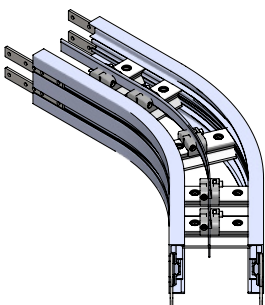
Blank = No slide rail included

UOM: pc

Chain required 2-way (400, 800): 1.2, 1.6 meter

Slide rail required 2-way (400, 800): 3.1, 4.1 meter

FX152 Horizontal Plain Bend 45°



Horizontal plain bend, 45° ± 1°

R = 400 ± 10 mm **FXHB152X-45R400**

R = 800 ± 10 mm **FXHB152X-45R800**

Where X = Blank or S

S = Includes outer pinch guard slide rail

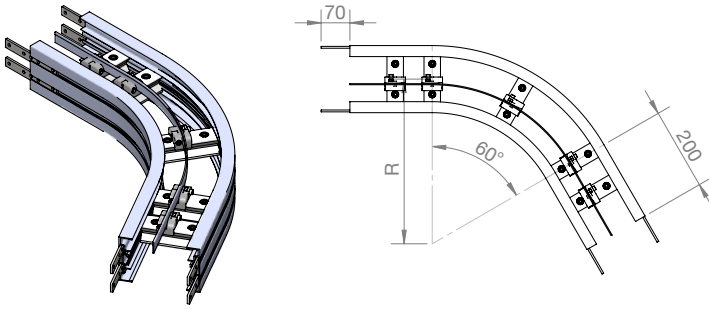
Blank = No slide rail included

UOM: pc

Chain required 2-way (400, 800): 1.5, 2.1 meter

Slide rail required 2-way (400, 800): 3.6, 5.2 meter

FX152 Horizontal Plain Bend 60°



Horizontal plain bend, 60° ± 1°

R = 400 ± 10 mm **FXHB152X-60R400**

R = 800 ± 10 mm **FXHB152X-60R800**

Where X = Blank or S

S = Includes outer pinch guard slide rail

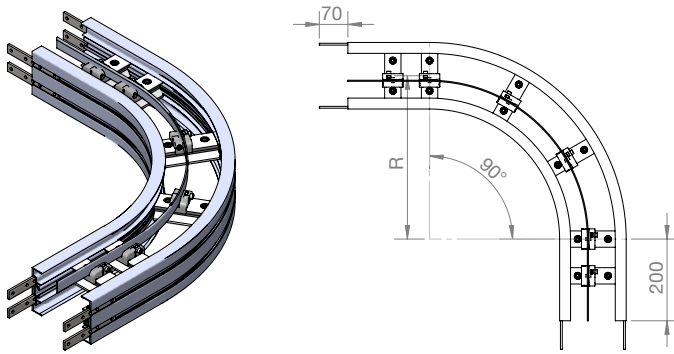
Blank = No slide rail included

UOM: pc

Chain required 2-way (400, 800): 1.7, 2.5 meter

Slide rail required 2-way (400, 800): 4.1, 6.2 meter

FX152 Horizontal Plain Bend 90°



Horizontal plain bend, 90° ± 1°

R = 400 ± 10 mm **FXHB152X-90R400**

R = 800 ± 10 mm **FXHB152X-90R800**

Where X = Blank or S

S = Includes outer pinch guard slide rail

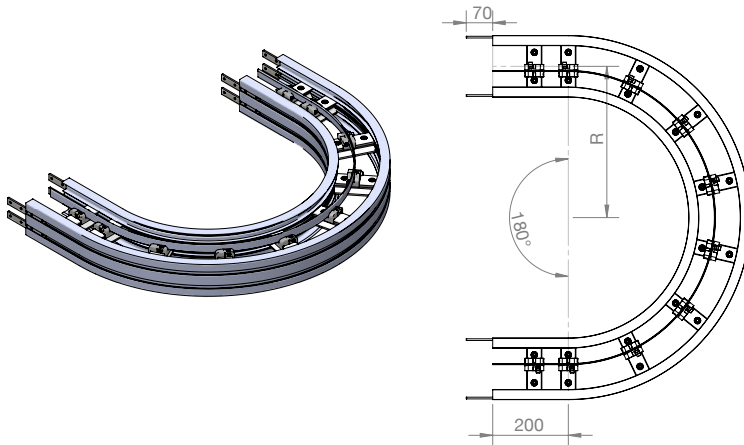
Blank = No slide rail included

UOM: pc

Chain required 2-way (400, 800): 2.1, 3.3 meter

Slide rail required 2-way (400, 800): 5.2, 8.3 meter

FX152 Horizontal Plain Bend 180°



Horizontal plain bend, 180° ± 1°

R = 400 ± 10 mm **FXHB152X-180R400**

R = 800 ± 10 mm **FXHB152X-180R800**

Where X = Blank or S

S = Includes outer pinch guard slide rail

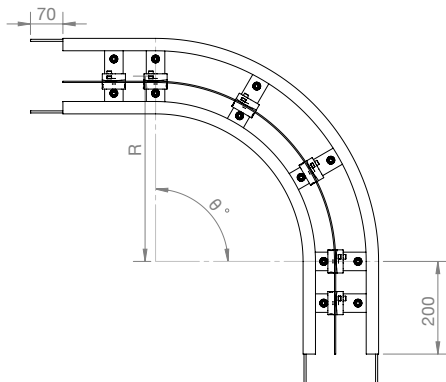
Blank = No slide rail included

UOM: pc

Chain required 2-way (400, 800): 3.3, 5.9 meter

Slide rail required 2-way (400, 800): 8.3, 14.6 meter

FX152 Horizontal Bend 5 - 180°



Example for FX152 Horizontal Bend Ordering

Horizontal Bend, ± 1°

R = 800 ± 10 mm **FXHB152X-R800**

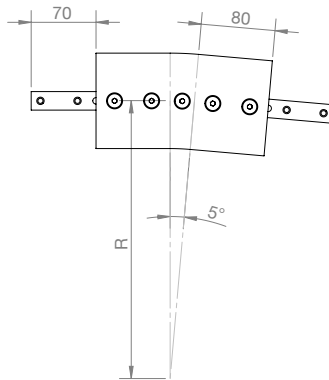
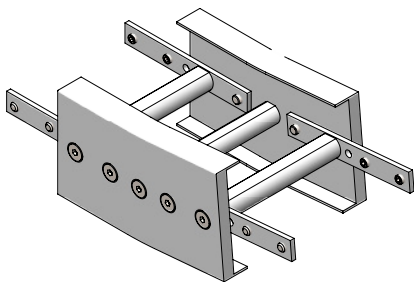
FXHB152X-120R800

Where X = Blank or S

S = Includes outer pinch guard slide rail

Blank = No slide rail included

FX152 Vertical Bend 5°



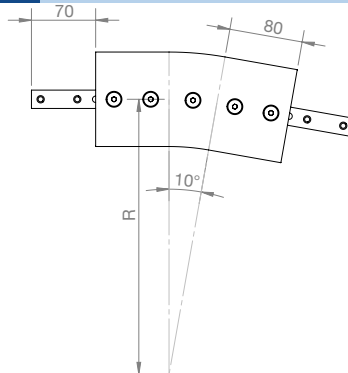
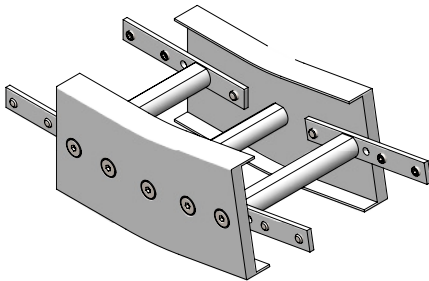
Vertical bend, 5° ± 1°

R = 300 mm **FXVB152-5R300**
R = 500 mm **FXVB152-5R500**

UOM: pc

Chain required 2-way (300, 500): 0.4, 0.4 meter
Slide rail required 2-way (300, 500): 0.8, 0.8 meter

FX152 Vertical Bend 10°



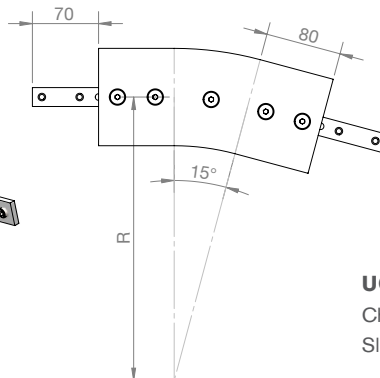
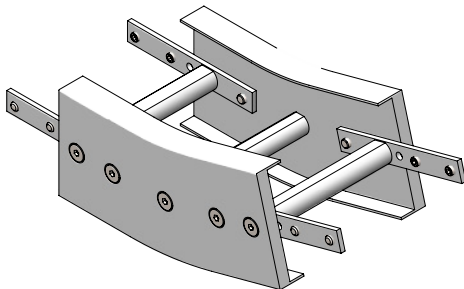
Vertical bend, 10° ± 1°

R = 300 mm **FXVB152-10R300**
R = 500 mm **FXVB152-10R500**

UOM: pc

Chain required 2-way (300, 500): 0.4, 0.5 meter
Slide rail required 2-way (300, 500): 0.9, 1.0 meter

FX152 Vertical Bend 15°



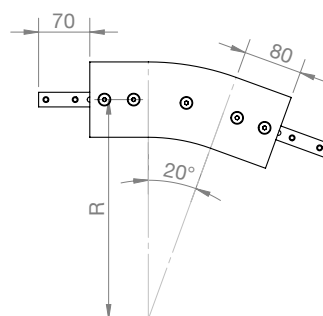
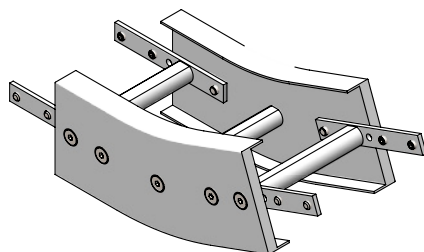
Vertical bend, 15° ± 1°

R = 300 mm **FXVB152-15R300**
R = 500 mm **FXVB152-15R500**

UOM: pc

Chain required 2-way (300, 500): 0.5, 0.6 meter
Slide rail required 2-way (300, 500): 1.0, 1.2 meter

FX152 Vertical Bend 20°



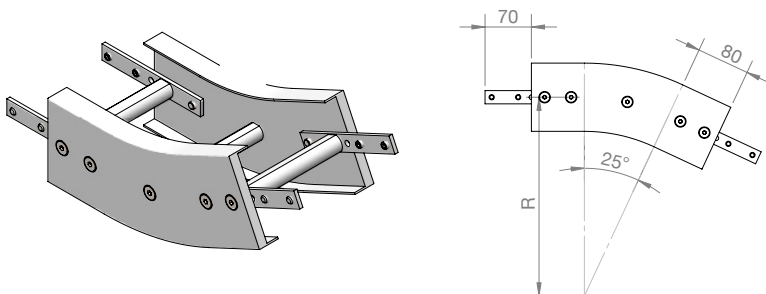
Vertical bend, 20° ± 1°

R = 300 mm **FXVB152-20R300**
R = 500 mm **FXVB152-20R500**

UOM: pc

Chain required 2-way (300, 500): 0.5, 0.7 meter
Slide rail required 2-way (300, 500): 1.1, 1.4 meter

FX152 Vertical Bend 25°



Vertical bend, 25 ± 1°

R = 300 mm **FXVB152-25R300**

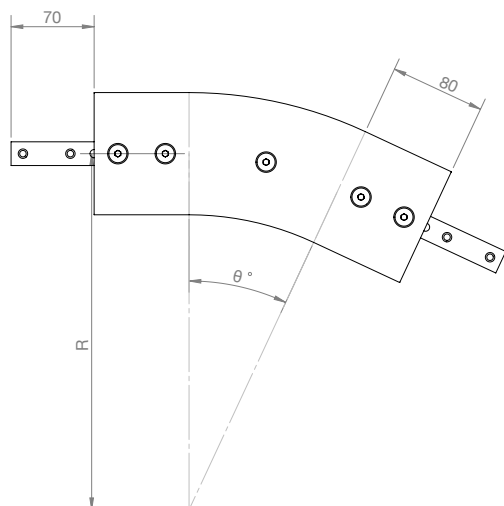
R = 500 mm **FXVB152-25R500**

UOM: pc

Chain required 2-way (300, 500): 0.6, 0.8 meter

Slide rail required 2-way (300, 500): 1.2, 1.5 meter

FX152 Vertical Bend 5 - 25°



Example for FX152 Vertical Bend Ordering

Vertical Bend, ± 1°

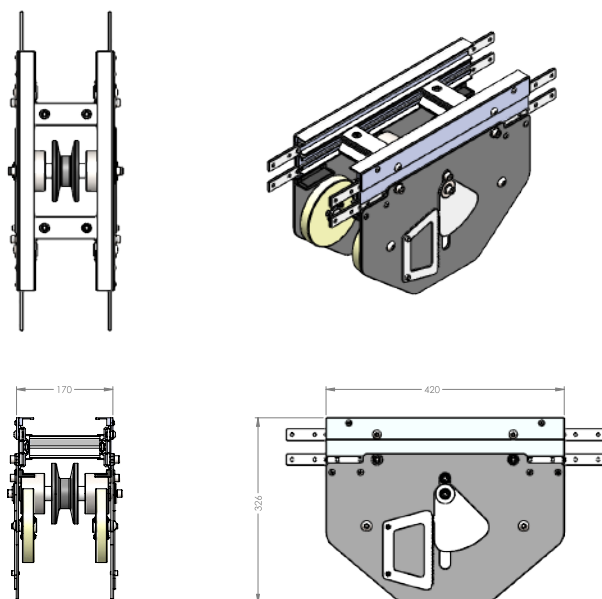
FXVB152-R300

If a 7° angle is needed for vertical bend,
the ordering part number is

FXVB152-7R300

FX152 Weighted Take-up

FX152WTU



Recommended for conveyors over 12 m long.
Provides gravity take-up for chain stretch.
Locate close to drive end for proper performance.

UOM: pc

Chain required: 1 meter

Slide rail required: 1 meter

FX304 Series Characteristic

Beam Width: 315 mm

Product Width: Refer to Guide Rail Assembly

Accessories Needed

Inner Slide Rail Required:

FASR-25U, FASR-25X, FASR-25T

Outer Slide Rail Required:

FASR-3E

Inner Slide Rail Material:

UHMWPE, SPECIAL PE, PAPE

Outer Slide Rail Material:

HDPE

Slide Rail Color:

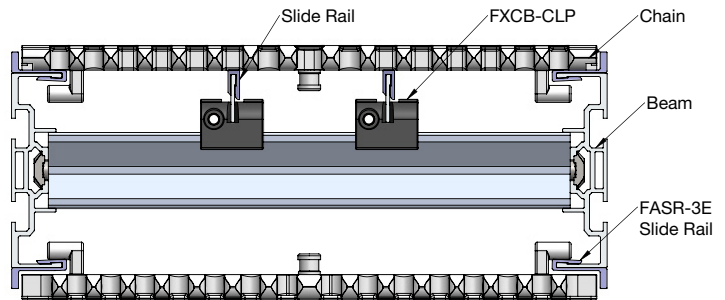
White, Natural, Blue, or Grey

Slide Rail Rivet and Screw:

FASLR-4X6 or FASLS-M5

Connecting strip is used to connect 2 beams.

Connecting Strip: FACS-20X140

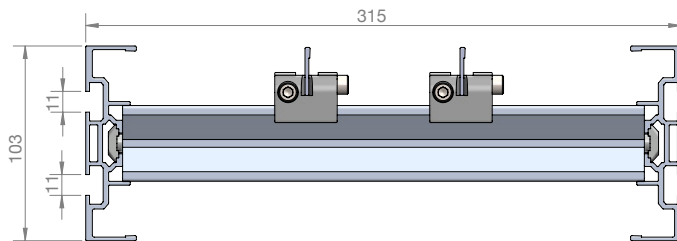


Conveyor Beam FXCB304-LLLL

Where LLLL = Length (mm)

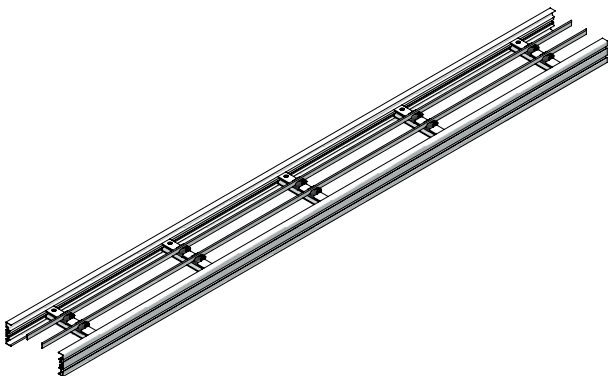
Minimum Length: 150 mm

Maximum Length: 3000 mm



UOM: each

Conveyor Beam Assembly



FlexMove FX Series conveyors are designed to be flexible in length.

For ease of fabrication, conveyor beam should be disassembled for cutting to specific lengths.

Chain Common Data

Packaging: 3 m per box

Width: 304 mm

Pitch: 25.4 mm

Tensile Strength at 20°C: 18500 N

Color: White (Standard)

Blue (Optional - contact factory)

Material

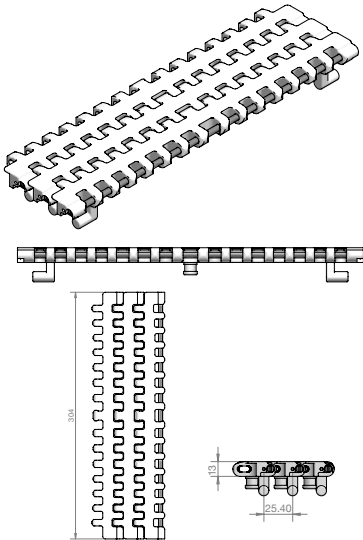
Chain: White Acetal / POM

Pivot Pin: Nylon

Insert (Wedge & Friction): TPE Grey

Straight Conveyors

Standard Plain Chain
FXPC304-3

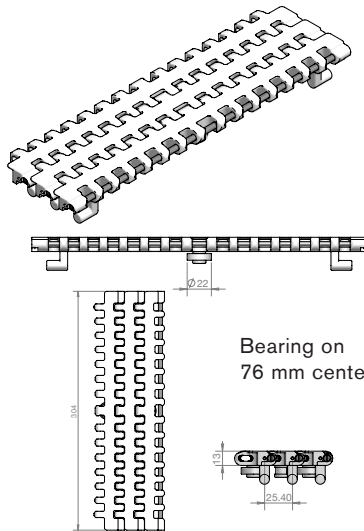


UOM: 3 Meter / box

Application: Suitable for horizontal and slope <5 Degree transport of products without/ with light accumulation

Curved Conveyors

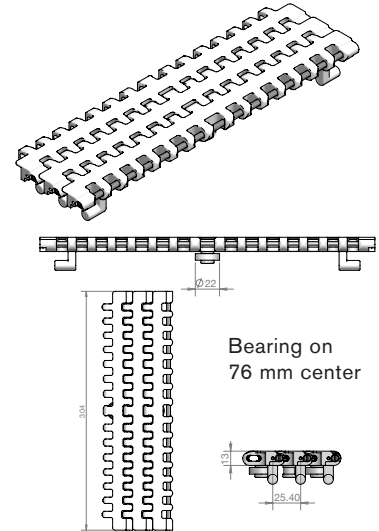
Standard Plain Chain with Alternate Bearing
FXPC304-3R2



UOM: 3 Meter / box

Application: Suitable for horizontal and slope <5 Degree transport of products without/ with light accumulation

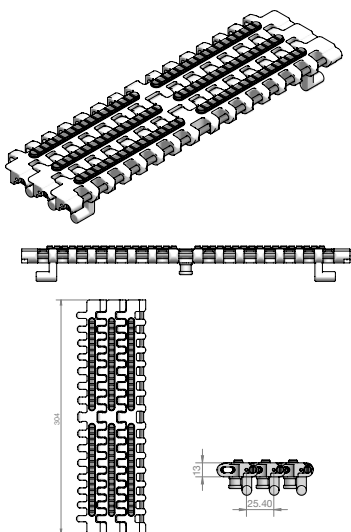
Standard Plain Chain with Alternate S/Steel Bearing
FXPC304-3RS2



UOM: 3 Meter / box

Application: Suitable for horizontal and slope <5 Degree transport of products without/ with light accumulation

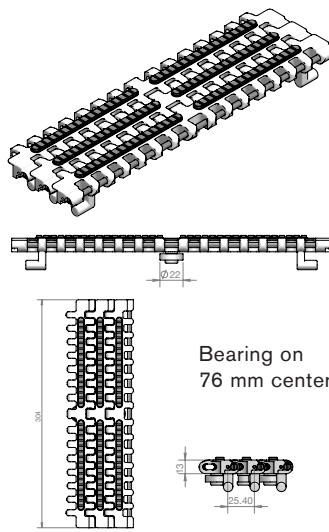
Friction Top Chain
FXFT304-3



UOM: 3 Meter / box

Application: Suitable for horizontal and slope >5 Degree but <= 25 Degree transport of products without accumulation

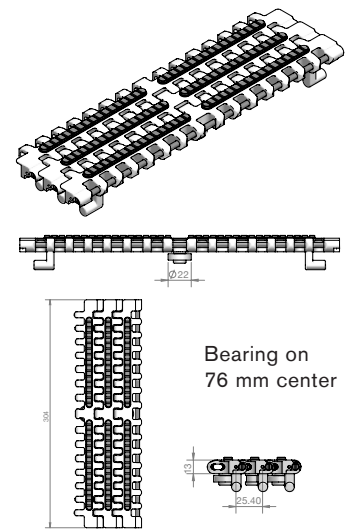
Friction Top Chain with Alternate Bearing
FXFT304-3R2



UOM: 3 Meter / box

Application: Suitable for horizontal and slope >5 Degree but <= 25 Degree transport of products without accumulation

Friction Top Chain with Alternate S/Steel Bearing
FXFT304-3RS2

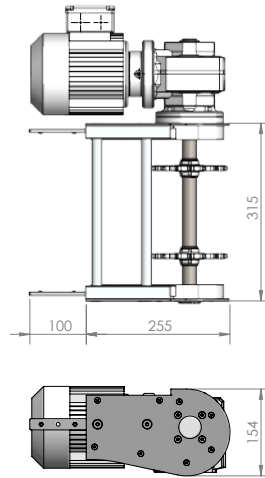
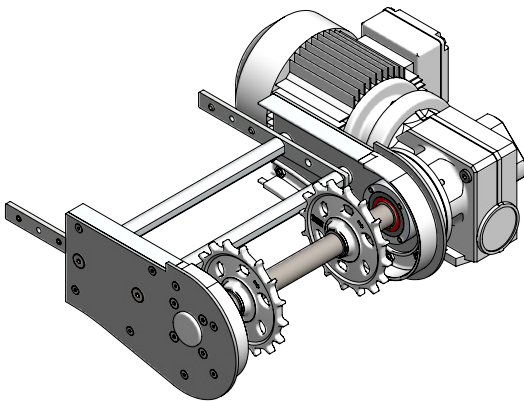


UOM: 3 Meter / box

Application: Suitable for horizontal and slope >5 Degree but <= 25 Degree transport of products without accumulation

FX304 Direct End Drive (LEFT)

FXDD304-0L



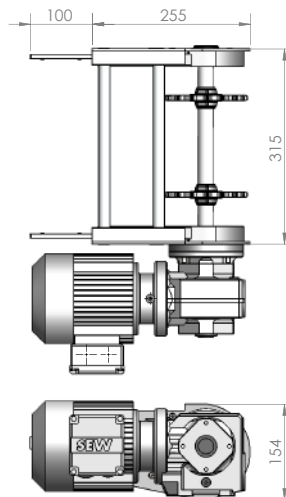
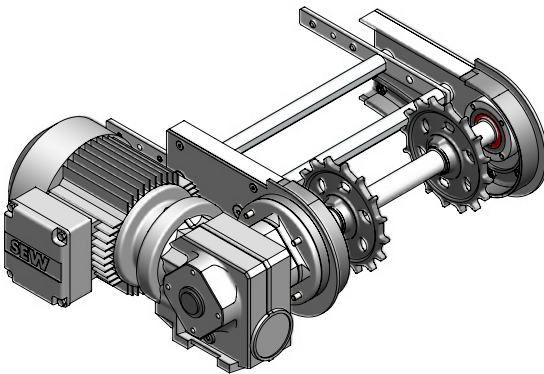
Max Traction Force: 2170 N
The Direct End Drive Unit is without torque limiter.

UOM: pc
Chain required 2-way: 0.58 m
Slide rail required 2-way: 0.8 m

Order Gearmotor Separately

FX304 Direct End Drive (RIGHT)

FXDD304-0R



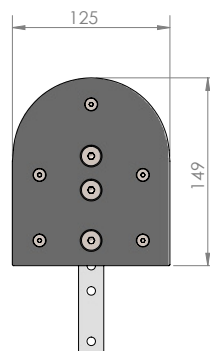
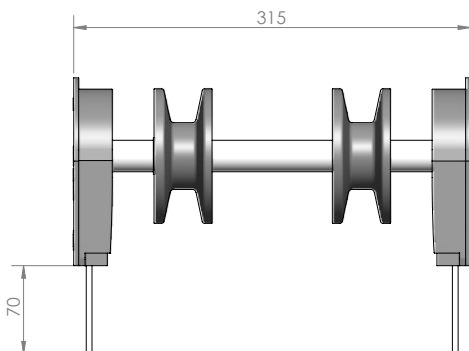
Max Traction Force: 2170 N
The Direct End Drive Unit is without torque limiter.

UOM: pc
Chain required 2-way: 0.58 m
Slide rail required 2-way: 0.8 m

Order Gearmotor Separately

FX304 Idler End

FXIE304

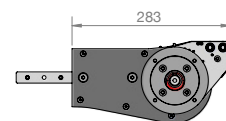
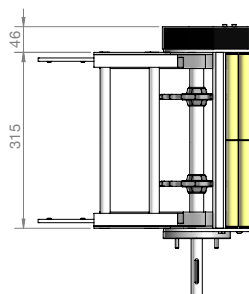
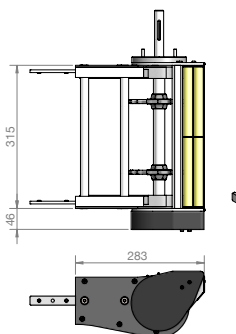
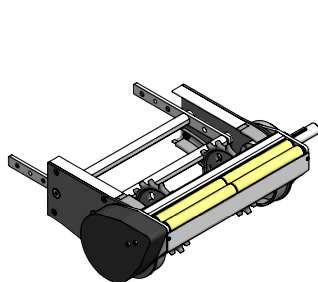


UOM: pc
Chain required 2-way: 0.35 m
Slide rail required 2-way: 0.0 m

Driven Transfer Drive

FXDD304-DB-A-0L (LEFT)

FXDD304-DB-A-0R (RIGHT)



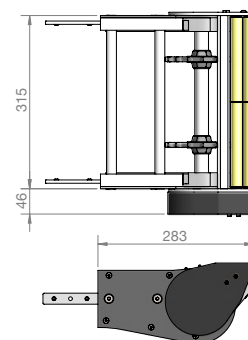
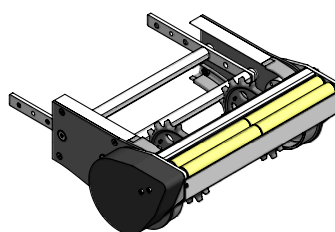
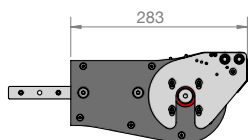
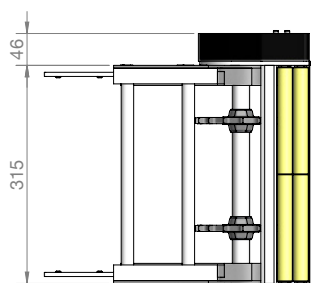
Max Traction Force: 2170 N
The Direct End Drive Unit is without torque limiter.

UOM: pc
Chain required 2-way: 0.58 m
Slide rail required 2-way: 0.8 m

Driven Transfer Idler

FXIE304-DB-A-L (LEFT)

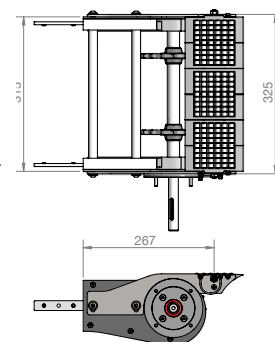
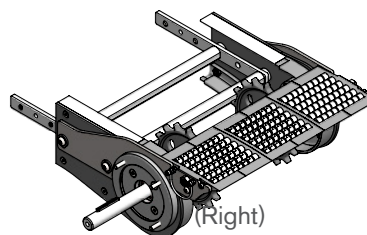
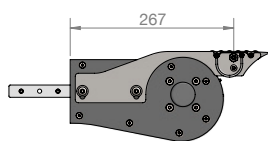
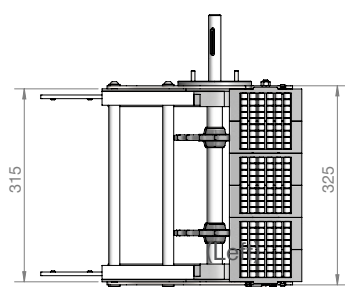
FXIE304-DB-A-R (RIGHT)



UOM: pc
Chain required 2-way: 0.58 m
Slide rail required 2-way: 0.8 m

Roller Transfer Drive

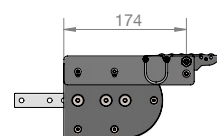
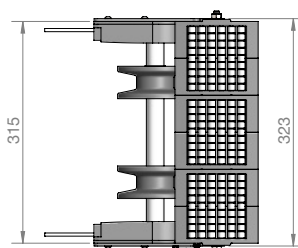
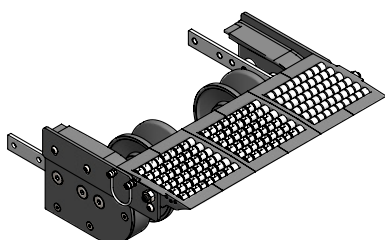
FXTB-A304



Order Drive Tail Separately

Roller Transfer Idler

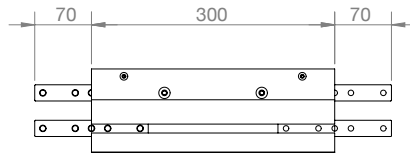
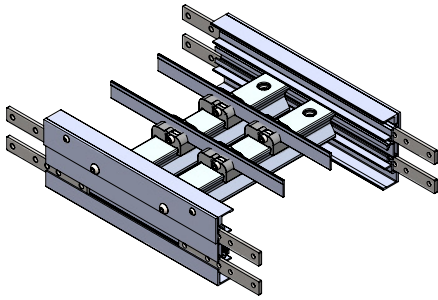
FXETB-A304



Order Idler Tail Separately

Chain Connecting Module

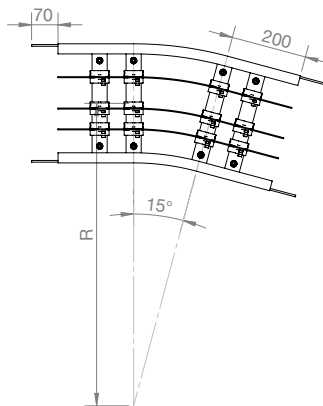
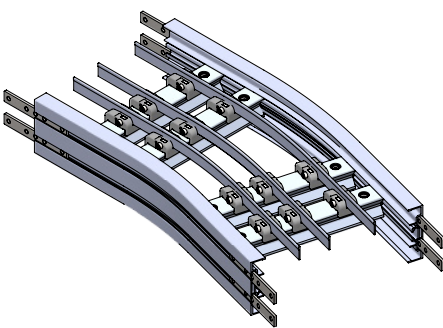
FXCC304



UOM: pc

Required on all conveyors

FX304 Horizontal Plain Bend 15°



Horizontal plain bend, 15° ± 1°

R = 800 ± 10 mm **FXHB304X-15R800**

R = 1200 ± 10 mm **FXHB304X-15R1200**

Where X = Blank or S

S = Includes outer pinch guard slide rail

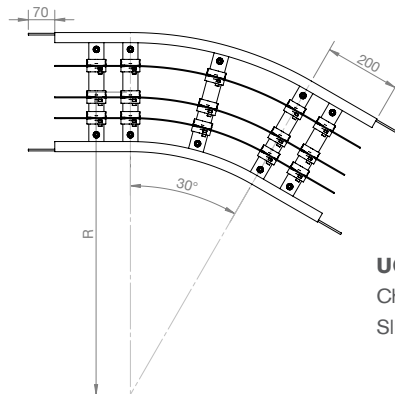
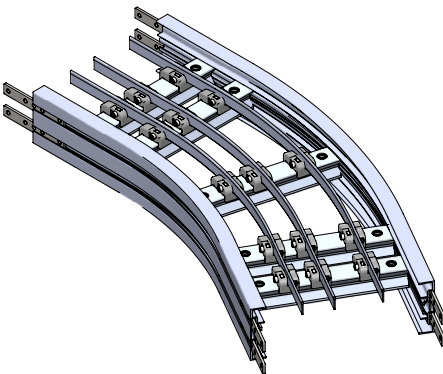
Blank = No slide rail included

UOM: pc

Chain required 2-way (800, 1200): 1.2, 1.4 meter

Slide rail required 2-way (800, 1200): 4.3, 5.0 meter

FX304 Horizontal Plain Bend 30°



Horizontal plain bend, 30° ± 1°

R = 800 ± 10 mm **FXHB304X-30R800**

R = 1200 ± 10 mm **FXHB304X-30R1200**

Where X = Blank or S

S = Includes outer pinch guard slide rail

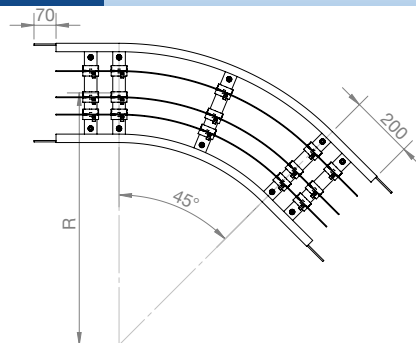
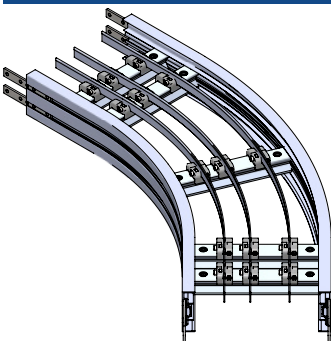
Blank = No slide rail included

UOM: pc

Chain required 2-way (800, 1200): 1.6, 2.1 meter

Slide rail required 2-way (800, 1200): 5.7, 7.2 meter

FX304 Horizontal Plain Bend 45°



Horizontal plain bend, 45° ± 1°

R = 800 ± 10 mm **FXHB304X-45R800**

R = 1200 ± 10 mm **FXHB304X-45R1200**

Where X = Blank or S

S = Includes outer pinch guard slide rail

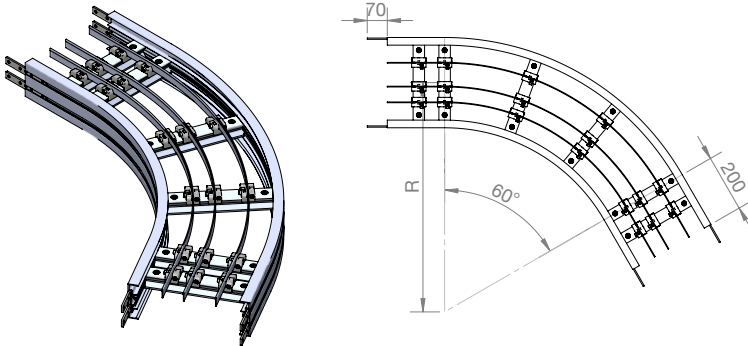
Blank = No slide rail included

UOM: pc

Chain required 2-way (800, 1200): 2.1, 2.7 meter

Slide rail required 2-way (800, 1200): 7.2, 9.4 meter

FX304 Horizontal Plain Bend 60°



Horizontal plain bend, 60° ± 1°

R = 800 ± 10 mm **FXHB304X-60R800**

R = 1200 ± 10 mm **FXHB304X-60R1200**

Where X = Blank or S

S = Includes outer pinch guard slide rail

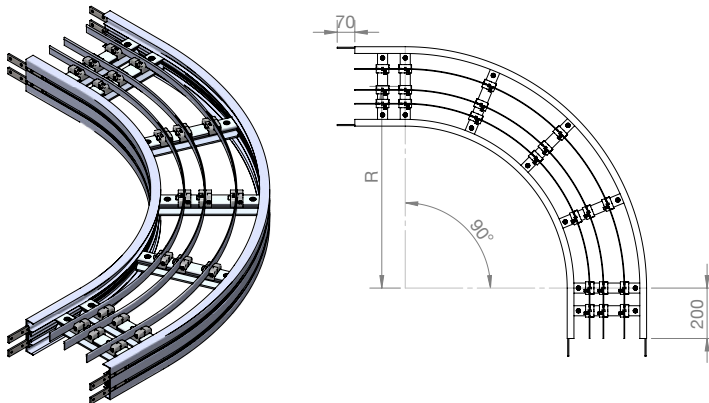
Blank = No slide rail included

UOM: pc

Chain required 2-way (800, 1200): 2.5, 3.3 meter

Slide rail required 2-way (800, 1200): 8.7, 11.6 meter

FX304 Horizontal Plain Bend 90°



Horizontal plain bend, 90° ± 1°

R = 800 ± 10 mm **FXHB304X-90R800**

R = 1200 ± 10 mm **FXHB304X-90R1200**

Where X = Blank or S

S = Includes outer pinch guard slide rail

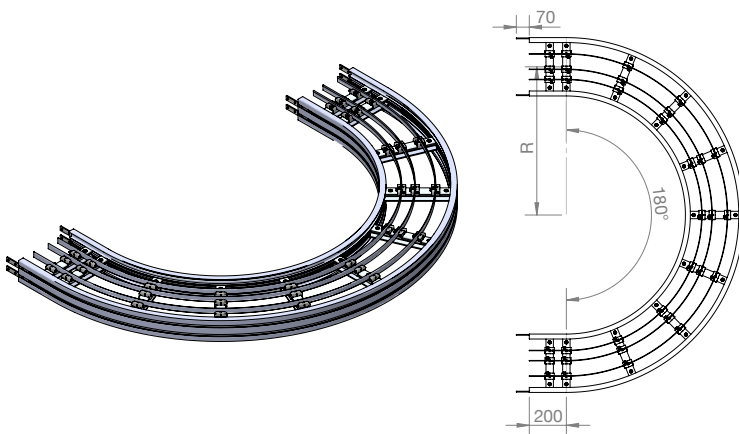
Blank = No slide rail included

UOM: pc

Chain required 2-way (800, 1200): 3.3, 4.6 meter

Slide rail required 2-way (800, 1200): 11.6, 16.0 meter

FX304 Horizontal Plain Bend 180°



Horizontal plain bend, 180° ± 1°

R = 800 ± 10 mm **FXHB304X-180R800**

R = 1200 ± 10 mm **FXHB304X-180R1200**

Where X = Blank or S

S = Includes outer pinch guard slide rail

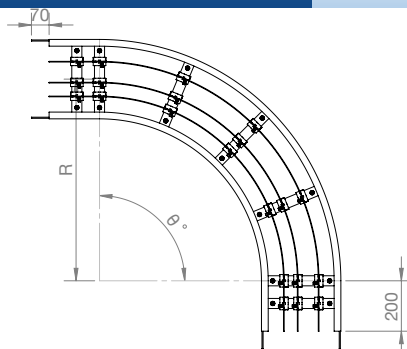
Blank = No slide rail included

UOM: pc

Chain required 2-way (800, 1200): 5.9, 8.4 meter

Slide rail required 2-way (800, 1200): 20.4, 29.2 meter

FX304 Horizontal Bend 5 - 180°



Example for FX304 Horizontal Bend Ordering

Horizontal Bend, ± 1°

R = 1200 ± 10mm **FXHB304X-R1200**

If a 120° angle is needed for horizontal bend, the ordering part number is

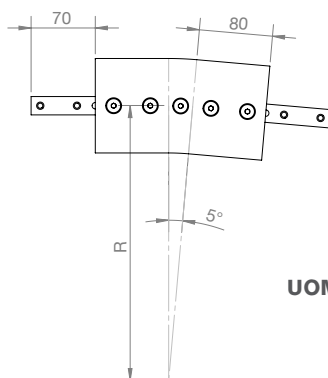
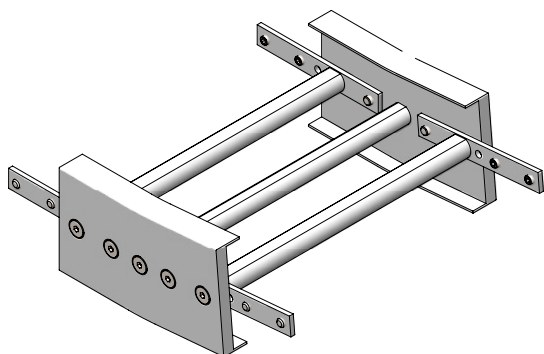
FXHB304X-120R1200

Where X = Blank or S

S = Includes outer pinch guard slide rail

Blank = No slide rail included

FX304 Vertical Bend 5°



Vertical bend, 5° ± 1°

R = 300 mm

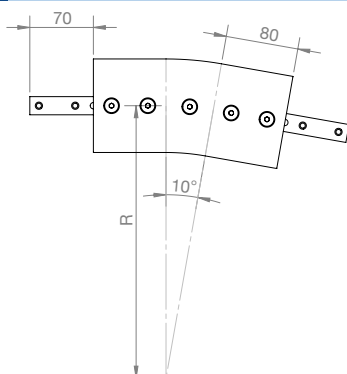
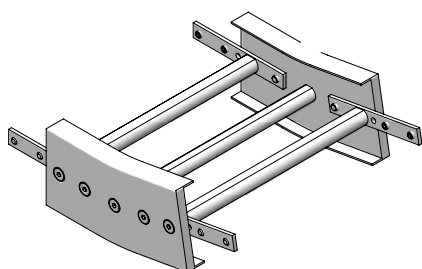
FXVB304-5R300

R = 500 mm

FXVB304-5R500

UOM: pc

FX304 Vertical Bend 10°



Vertical bend, 10° ± 1°

R = 300 mm

FXVB304-10R300

R = 500 mm

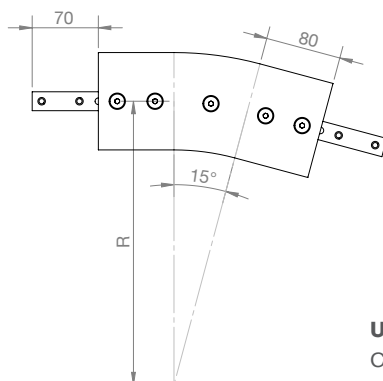
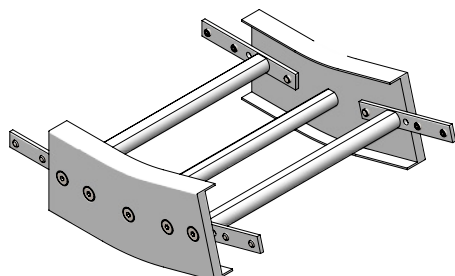
FXVB304-10R500

UOM: pc

Chain required 2-way (300, 500): 0.4, 0.5 meter

Slide rail required 2-way (300, 500): 0.9, 1.0 meter

FX304 Vertical Bend 15°



Vertical bend, 15° ± 1°

R = 300 mm

FXVB304-15R300

R = 500 mm

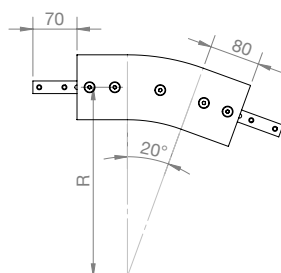
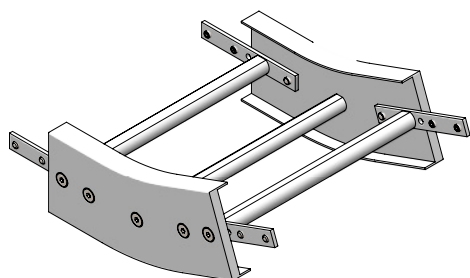
FXVB304-15R500

UOM: pc

Chain required 2-way (300, 500): 0.5, 0.6 meter

Slide rail required 2-way (300, 500): 1.0, 1.2 meter

FX304 Vertical Bend 20°



Vertical bend, 20° ± 1°

R = 300 mm

FXVB304-20R300

R = 500 mm

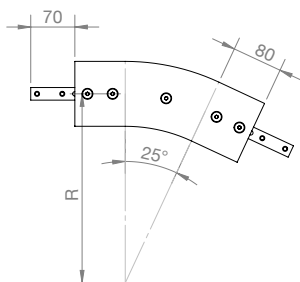
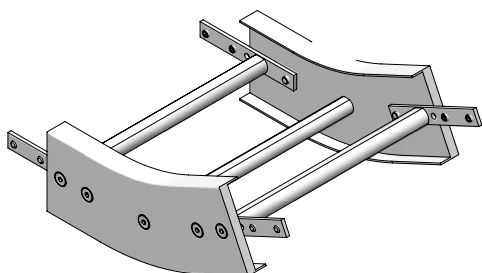
FXVB304-20R500

UOM: pc

Chain required 2-way (300, 500): 0.5, 0.7 meter

Slide rail required 2-way (300, 500): 1.1, 1.4 meter

FX304 Vertical Bend 25°



Vertical bend, 25 ± 1°

R = 300 mm

FXVB304-25R300

R = 500 mm

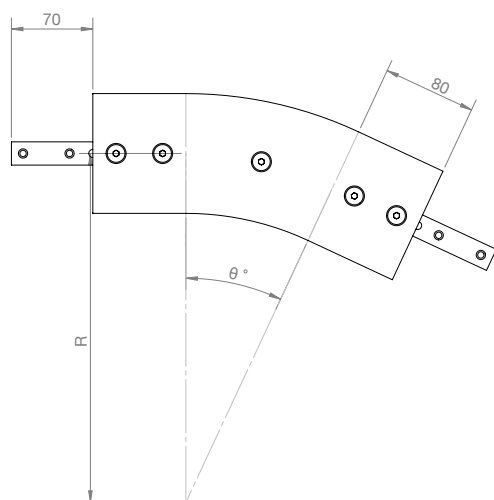
FXVB304-25R500

UOM: pc

Chain required 2-way (300, 500): 0.6, 0.8 meter

Slide rail required 2-way (300, 500): 1.2, 1.5 meter

FX304 Vertical Bend 5 - 25°



Example for FX304 Vertical Bend Ordering

Vertical Bend, ± 1°

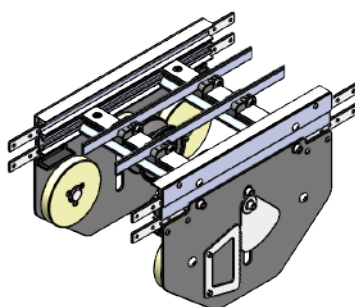
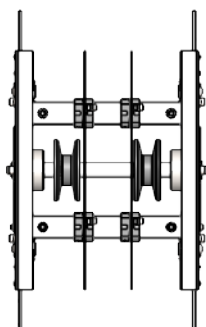
FXVB304-R300

If a 7° angle is needed for vertical bend,
the ordering part number is

FXVB304-7R300

FX304 Weighted Take-up

FX304WTU

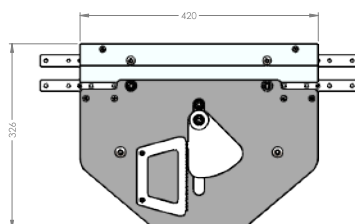
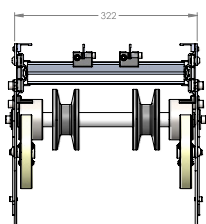


Recommended for conveyors over 12 m long.
Provides gravity take-up for chain stretch.
Locate close to drive end for proper performance.

UOM: pc

Chain required: 1 meter

Slide rail required: 1 meter



FX457 Series Characteristic

Beam Width: 468 mm

Product Width: Refer to Guide Rail Assembly

Accessories Needed

Inner Slide Rail Required:

FASR-25U, FASR-25X, FASR-25T

Outer Slide Rail Required:

FASR-3E

Inner Slide Rail Material:

UHMWPE, SPECIAL PE, PAPE

Outer Slide Rail Material:

HDPE

Slide Rail Color:

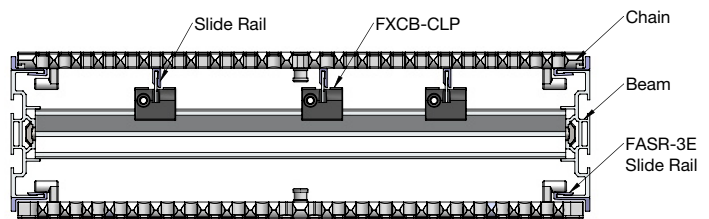
White, Natural, Blue, or Grey

Slide Rail Rivet and Screw:

FASLR-4X6 or FASLS-M5

Connecting strip is used to connect 2 beams.

Connecting Strip: FACS-20X140

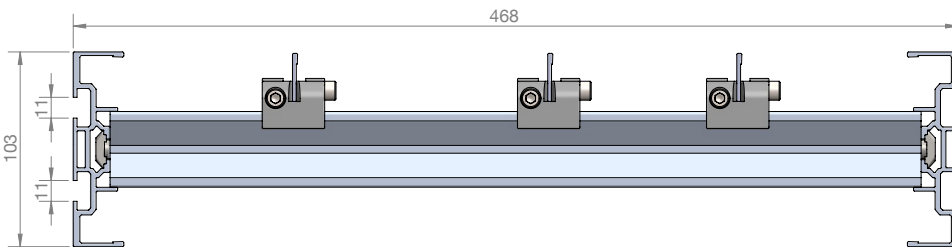


Conveyor Beam FXCB457-LLLL

Where LLLL = Length (mm)

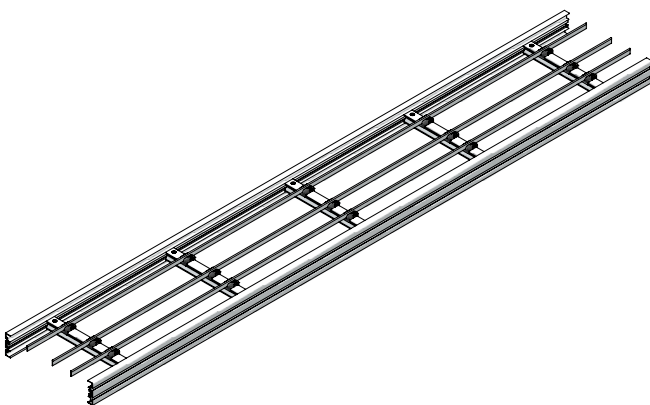
Minimum Length: 150 mm

Maximum Length: 3000 mm



UOM: each

Conveyor Beam Assembly



FlexMove FX Series conveyors are designed to be flexible in length.

For ease of fabrication, conveyor beam should be disassembled for cutting to specific lengths.

Chain Common Data

Packaging: 3 m per box
Pitch: 25.4 mm
Color: White (Standard)
 Blue (Optional - contact factory)

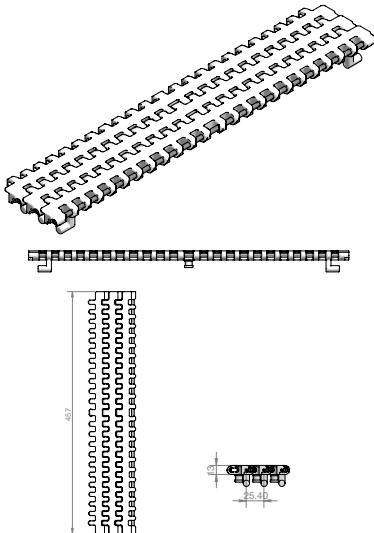
Width: 457 mm
Tensile Strength at 20°C: 26600 N

Material

Chain: White Acetal / POM
Pivot Pin: Nylon
Insert (Wedge & Friction): TPE Grey

Straight Conveyors

Standard Plain Chain FXPC457-3

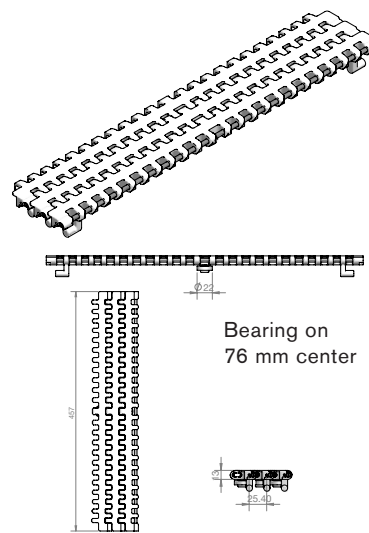


UOM: 3 Meter / box

Application: Suitable for horizontal and slope <5 Degree transport of products without/ with light accumulation

Curved Conveyors

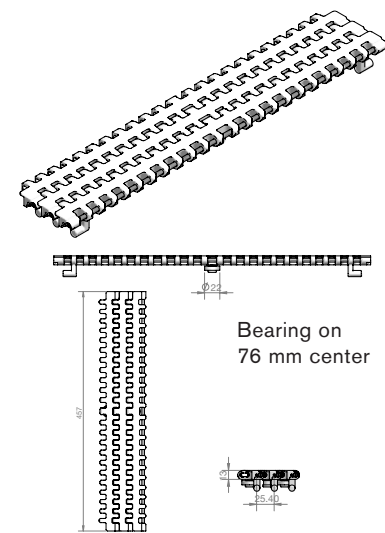
Standard Plain Chain with Alternate Bearing FXPC457-3R2



UOM: 3 Meter / box

Application: Suitable for horizontal and slope <5 Degree transport of products without/ with light accumulation

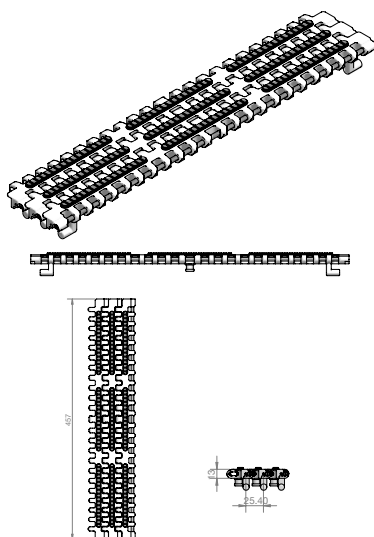
Standard Plain Chain with Alternate S/Steel Bearing FXPC457-3RS2



UOM: 3 Meter / box

Application: Suitable for horizontal and slope <5 Degree transport of products without/ with light accumulation

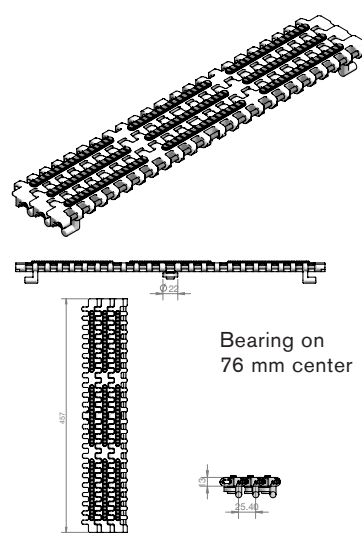
Friction Top Chain FXFT457-3



UOM: 3 Meter / box

Application: Suitable for horizontal and slope >5 Degree but <= 25 Degree transport of products without accumulation

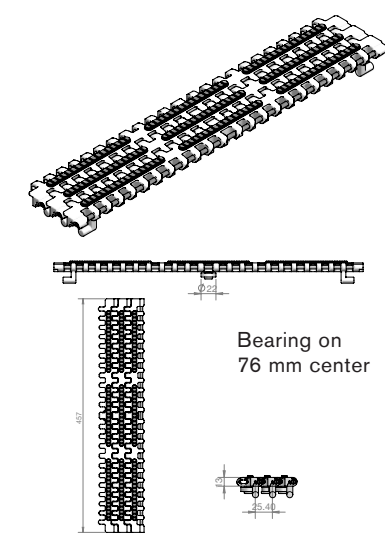
Friction Top Chain with Alternate Bearing FXFT457-3R2



UOM: 3 Meter / box

Application: Suitable for horizontal and slope >5 Degree but <= 25 Degree transport of products without accumulation

Friction Top Chain with Alternate S/Steel Bearing FXFT457-3RS2

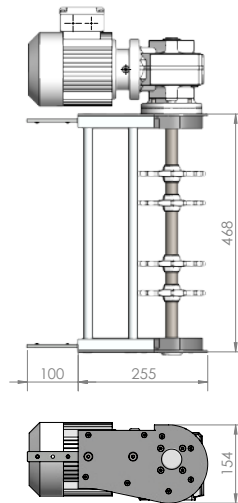
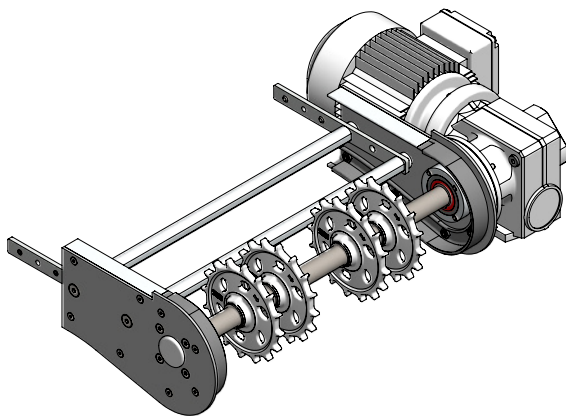


UOM: 3 Meter / box

Application: Suitable for horizontal and slope >5 Degree but <= 25 Degree transport of products without accumulation

FX457 Direct End Drive (LEFT)

FXDD457-0L



Max Traction Force: 2730 N

The Direct End Drive Unit is without torque limiter.

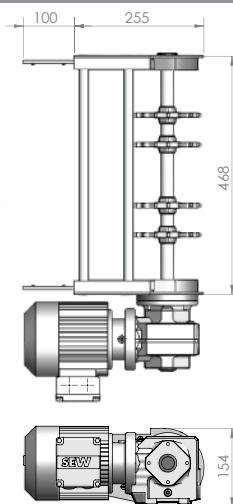
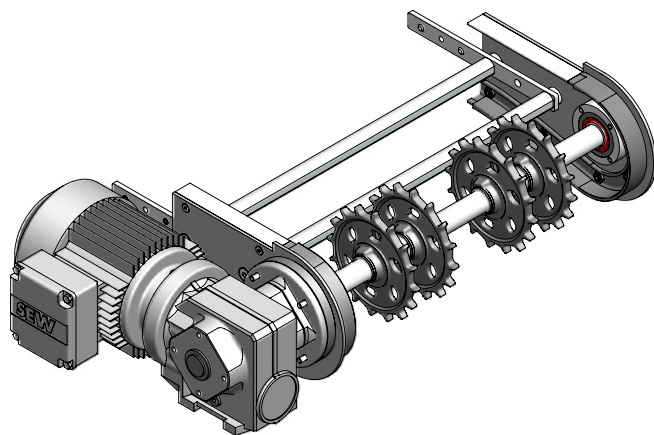
UOM: pc

Chain required 2-way: 0.58 m
Slide rail required 2-way: 0.8 m

Order Gearmotor Separately

FX457 Direct End Drive (RIGHT)

FXDD457-0R



Max Traction Force: 2730 N

The Direct End Drive Unit is without torque limiter.

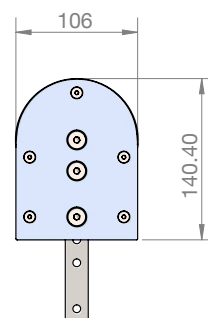
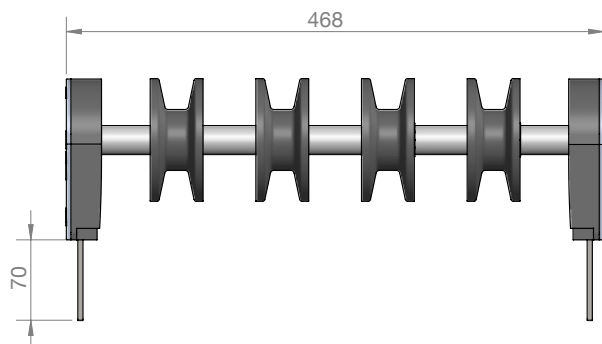
UOM: pc

Chain required 2-way: 0.58 m
Slide rail required 2-way: 0.8 m

Order Gearmotor Separately

FX457 Idler End

FXIE457



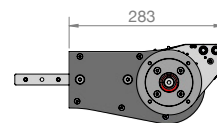
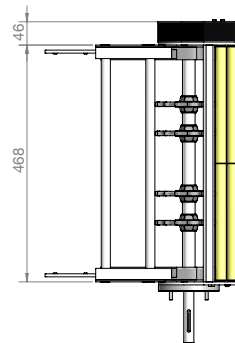
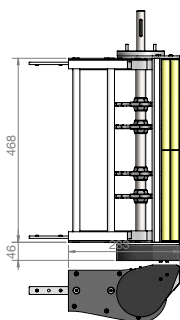
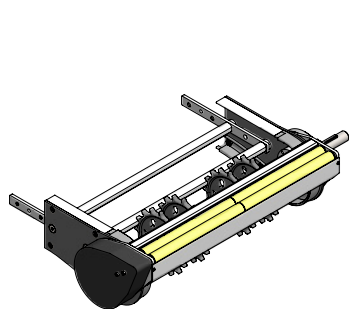
UOM: pc

Chain required 2-way: 0.35 m
Slide rail required 2-way: 0.0 m

Driven Transfer Drive

FXDD457-DB-A-0L (LEFT)

FXDD457-DB-A-0R (RIGHT)



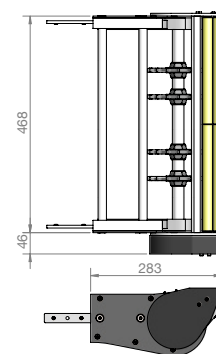
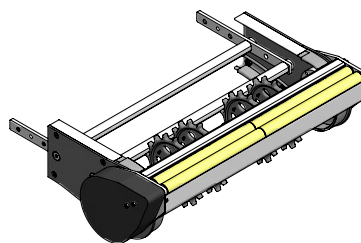
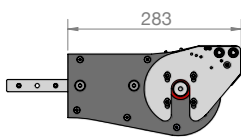
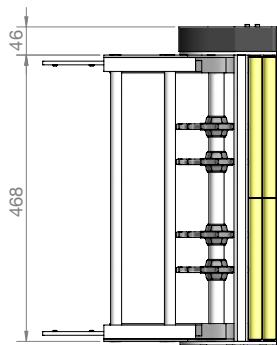
Max Traction Force: 2730 N
The Direct End Drive Unit is without torque limiter.

UOM: pc
Chain required 2-way: 0.58 m
Slide rail required 2-way: 0.8 m

Driven Transfer Idler

FXIE457-DB-A-L (LEFT)

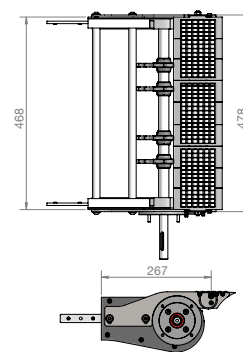
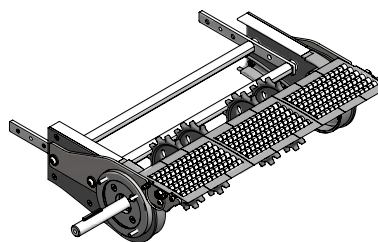
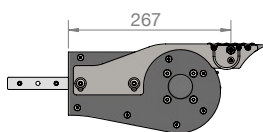
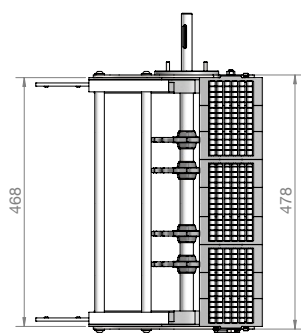
FXIE457-DB-A-R (RIGHT)



UOM: pc
Chain required 2-way: 0.58 m
Slide rail required 2-way: 0.8 m

Roller Transfer Drive

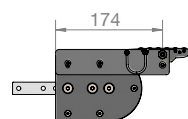
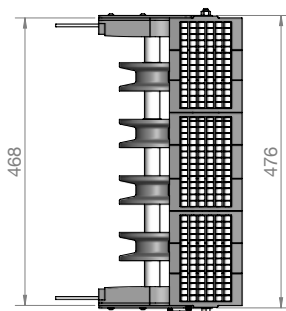
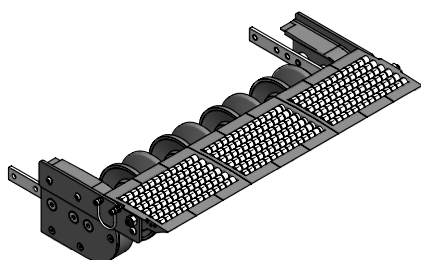
FXTB-A457



Order Drive Tail Separately

Roller Transfer Idler

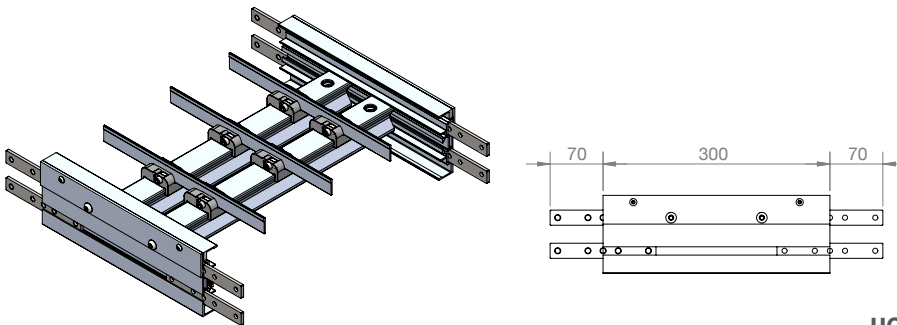
FXETB-A457



Order Idler Tail Separately

Chain Connecting Module

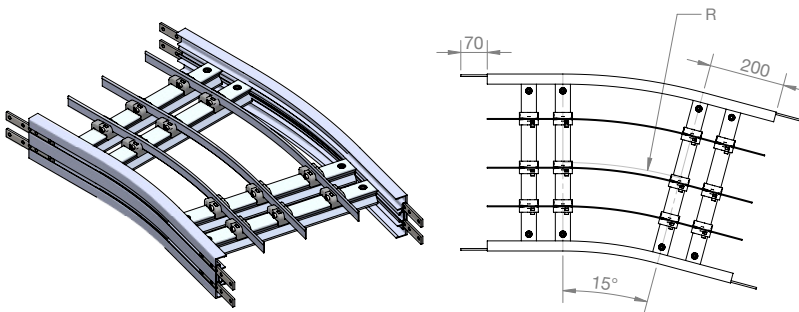
FXCC457



Required on all conveyors

UOM: pc

FX457 Horizontal Plain Bend 15°



Horizontal plain bend, 15° ± 1°

R = 1200 ± 10 mm **FXHB457X-15R1200**

R = 1600 ± 10mm **FXHB457X-15R1600**

Where X = Blank or S

S = Includes outer pinch guard slide rail

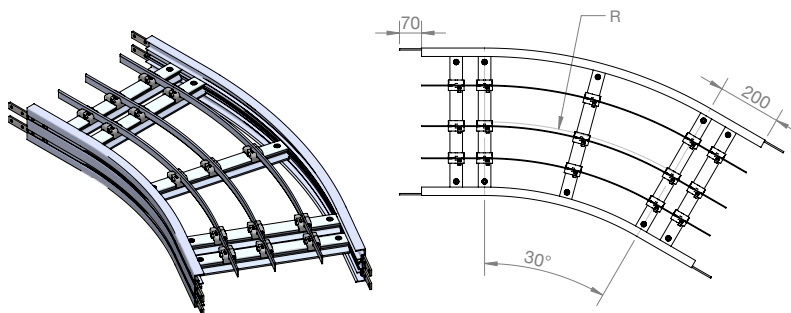
Blank = No slide rail included

UOM: pc

Chain required 2-way (1200, 1600): 1.4, 1.6 meter

Slide rail required 2-way (1200, 1600): 5.0, 5.8 meter

FX457 Horizontal Plain Bend 30°



Horizontal plain bend, 30° ± 1°

R = 1200 ± 10 mm **FXHB457X-30R1200**

R = 1600 ± 10 mm **FXHB457X-30R1600**

Where X = Blank or S

S = Includes outer pinch guard slide rail

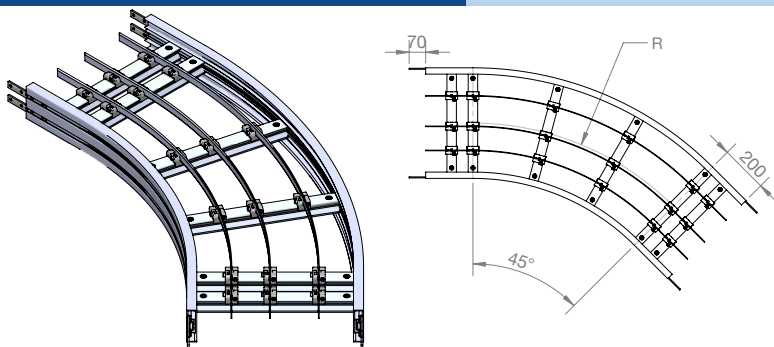
Blank = No slide rail included

UOM: pc

Chain required 2-way (1200, 1600): 2.1, 2.5 meter

Slide rail required 2-way (1200, 1600): 7.2, 8.7 meter

FX457 Horizontal Plain Bend 45°



Horizontal plain bend, 45° ± 1°

R = 1200 ± 10 mm **FXHB457X-45R1200**

R = 1600 ± 10mm **FXHB457X-45R1600**

Where X = Blank or S

S = Includes outer pinch guard slide rail

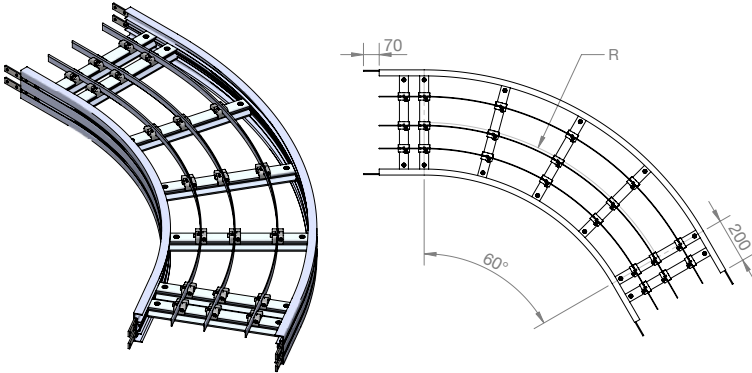
Blank = No slide rail included

UOM: pc

Chain required 2-way (1200, 1600): 2.7, 3.3 meter

Slide rail required 2-way (1200, 1600): 9.4, 11.6 meter

FX457 Horizontal Plain Bend 60°



Horizontal plain bend, 60° ± 1°

R = 1200 ± 10 mm **FXHB457X-60R1200**

R = 1600 ± 10mm **FXHB457X-60R1600**

Where X = Blank or S

S = Includes outer pinch guard slide rail

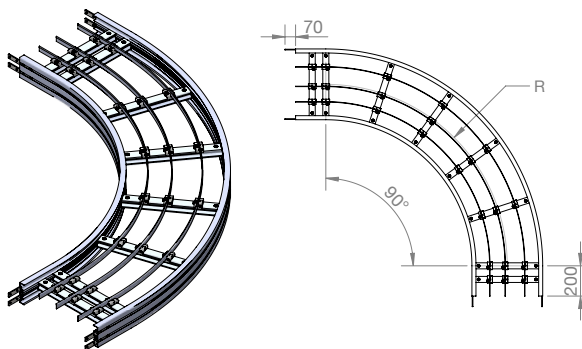
Blank = No slide rail included

UOM: pc

Chain required 2-way (1200, 1600): 3.3, 4.2 meter

Slide rail required 2-way (1200, 1600): 11.6, 14.5 meter

FX457 Horizontal Plain Bend 90°



Horizontal plain bend, 90° ± 1°

R = 1200 ± 10 mm **FXHB457X-90R1200**

R = 1600 ± 10 mm **FXHB457X-90R1600**

Where X = Blank or S

S = Includes outer pinch guard slide rail

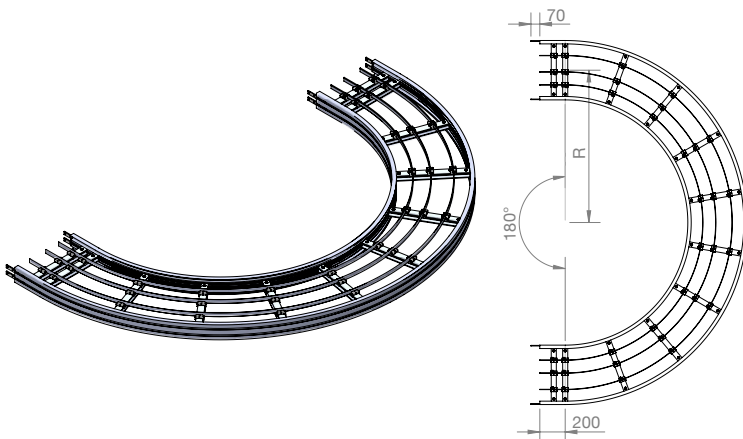
Blank = No slide rail included

UOM: pc

Chain required 2-way (1200, 1600): 4.6, 5.9 meter

Slide rail required 2-way (1200, 1600): 16.0, 20.4 meter

FX457 Horizontal Plain Bend 180°



Horizontal plain bend, 180° ± 1°

R = 1200 ± 10 mm **FXHB457X-180R1200**

R = 1600 ± 10 mm **FXHB457X-180R1600**

Where X = Blank or S

S = Includes outer pinch guard slide rail

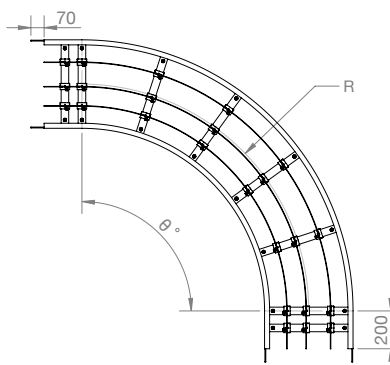
Blank = No slide rail included

UOM: pc

Chain required 2-way (1200, 1600): 8.4, 10.9 meter

Slide rail required 2-way (1200, 1600): 29.2, 38.0 meter

FX457 Horizontal Bend 5 - 180°



Example for FX457 Horizontal Bend Ordering

Horizontal Bend, ± 1°

R = 1600 ± 10mm **FXHB457X-R1600**

If a 120° angle is needed for horizontal bend, the ordering part number is

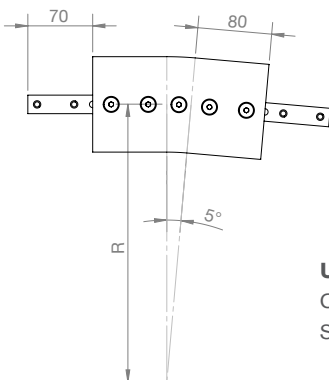
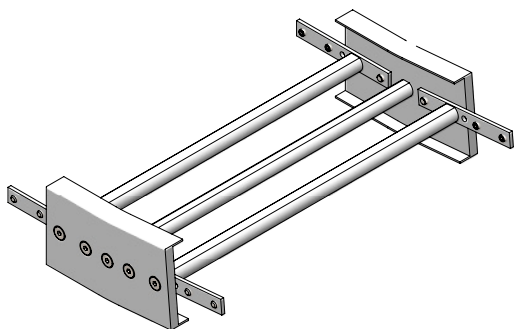
FXHB457X-120R1600

Where X = Blank or S

S = Includes outer pinch guard slide rail

Blank = No slide rail included

FX457 Vertical Bend 5°



Vertical bend, 5° ± 1°

R = 300 mm

FXVB457-5R300

R = 500 mm

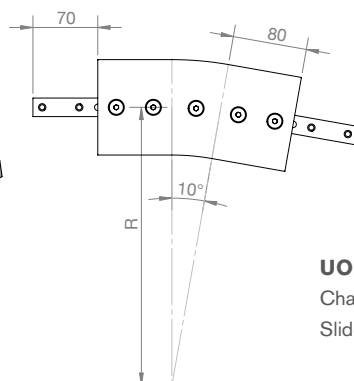
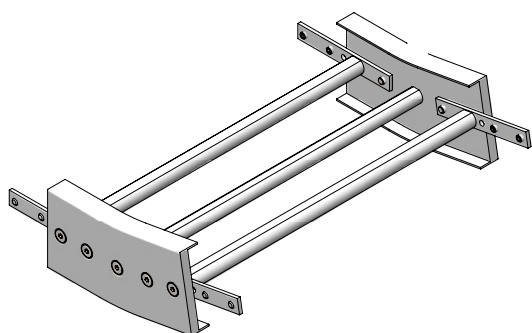
FXVB457-5R500

UOM: pc

Chain required 2-way (300, 500): 0.4, 0.4 meter

Slide rail required 2-way (300, 500): 0.8, 0.8 meter

FX457 Vertical Bend 10°



Vertical bend, 10° ± 1°

R = 300 mm

FXVB457-10R300

R = 500 mm

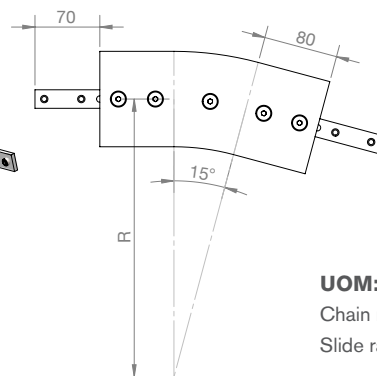
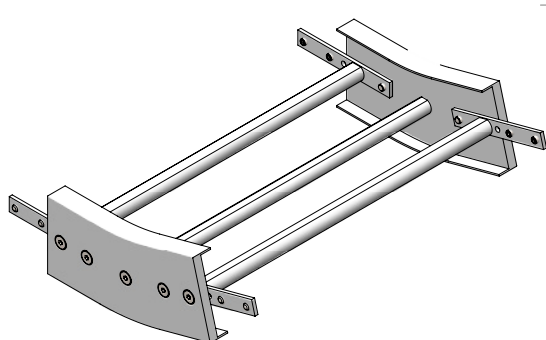
FXVB457-10R500

UOM: pc

Chain required 2-way (300, 500): 0.4, 0.5 meter

Slide rail required 2-way (300, 500): 0.9, 1.0 meter

FX457 Vertical Bend 15°



Vertical bend, 15° ± 1°

R = 300 mm

FXVB457-15R300

R = 500 mm

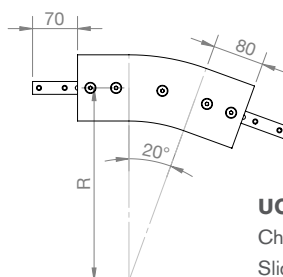
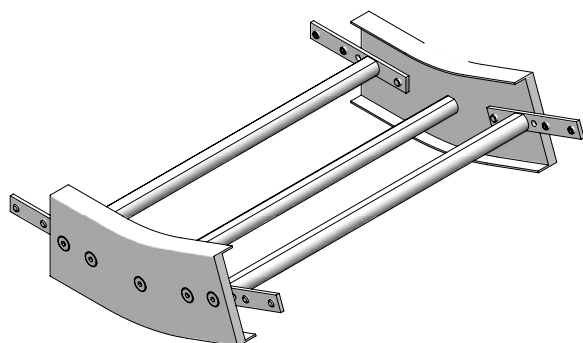
FXVB457-15R500

UOM: pc

Chain required 2-way (300, 500): 0.5, 0.6 meter

Slide rail required 2-way (300, 500): 1.0, 1.2 meter

FX457 Vertical Bend 20°



Vertical bend, 20° ± 1°

R = 300 mm

FXVB457-20R300

R = 500 mm

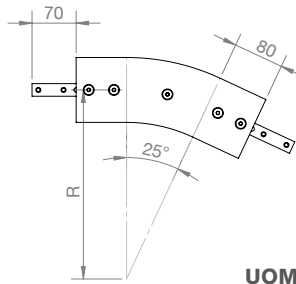
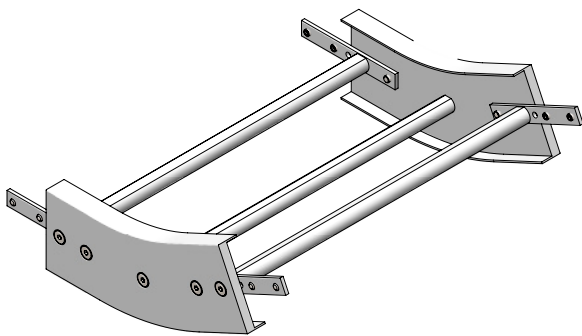
FXVB457-20R500

UOM: pc

Chain required 2-way (300, 500): 0.5, 0.7 meter

Slide rail required 2-way (300, 500): 1.1, 1.4 meter

FX457 Vertical Bend 25°



Vertical bend, 25 ± 1°

R = 300 mm

FXVB457-25R300

R = 500 mm

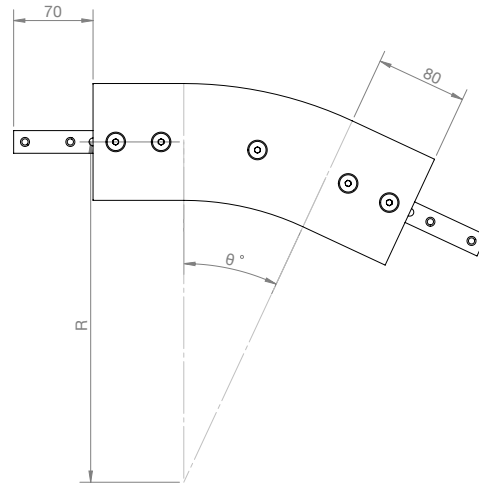
FXVB457-25R500

UOM: pc

Chain required 2-way (300, 500): 0.6, 0.8 meter

Slide rail required 2-way (300, 500): 1.2, 1.5 meter

FX457 Vertical Bend 5 - 25°



Example for FX457 Vertical Bend Ordering

Vertical Bend, ± 1°

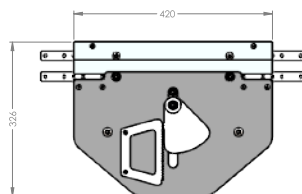
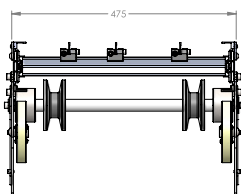
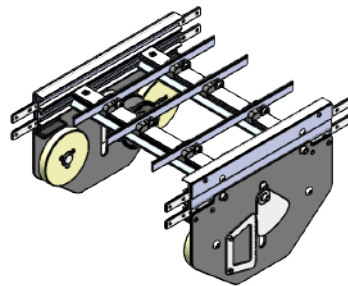
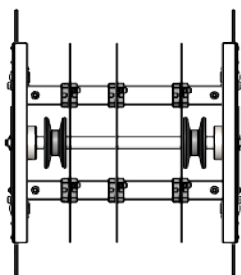
FXVB457-R300

If a 7° angle is needed for vertical bend,
the ordering part number is

FXVB457-7R300

FX457 Weighted Take-up

FX457WTU



Recommended for conveyors over 12 m long.
Provides gravity take-up for chain stretch.
Locate close to drive end for proper performance.

UOM: pc

Chain required: 1 meter

Slide rail required: 1 meter

FX609 Series Characteristic

Beam Width: 620 mm

Product Width: Refer to Guide Rail Assembly

Accessories Needed

Inner Slide Rail Required:

FASR-25U, FASR-25X, FASR-25T

Outer Slide Rail Required:

FASR-3E

Inner Slide Rail Material:

UHMWPE, SPECIAL PE, PAPE

Outer Slide Rail Material:

HDPE

Slide Rail Color:

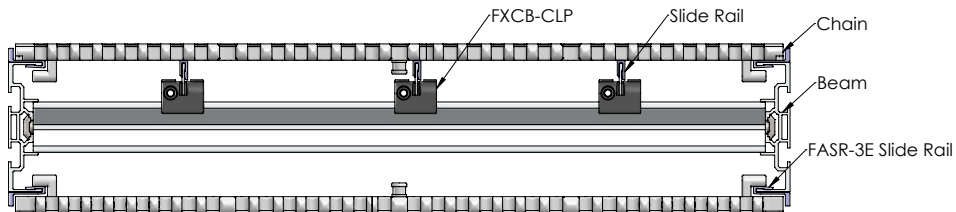
White, Natural, Blue, or Grey

Slide Rail Rivet and Screw:

FASLR-4X6 or FASLS-M5

Connecting strip is used to connect 2 beams.

Connecting Strip: FACS-20X140

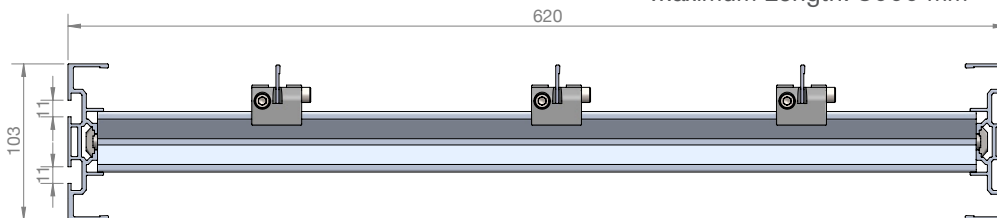


Conveyor Beam FXCB609-LLLL

Where LLLL = Length (mm)

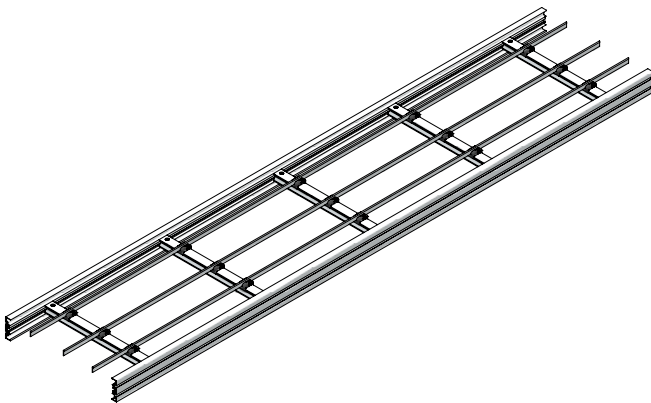
Minimum Length: 150 mm

Maximum Length: 3000 mm



UOM: each

Conveyor Beam Assembly



FlexMove FX Series conveyors are designed to be flexible in length.

For ease of fabrication, conveyor beam should be disassembled for cutting to specific lengths.

Chain Common Data

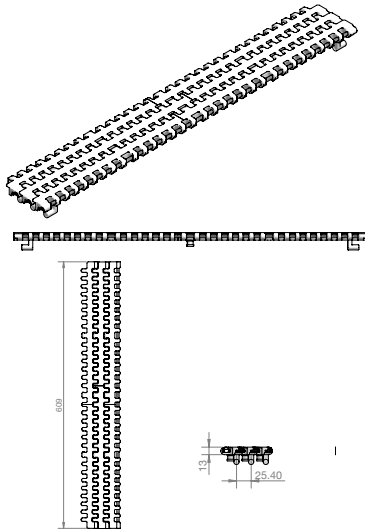
Packaging: 3 m per box **Width:** 609 mm
Pitch: 25.4 mm Tensile Strength at 20°C: 34300 N
Color: White (Standard)
 Blue (Optional - contact factory)

Material

Chain: White Acetal / POM
Pivot Pin: Nylon
Insert (Wedge & Friction): TPE Grey

Straight Conveyors

Standard Plain Chain FXPC609-3

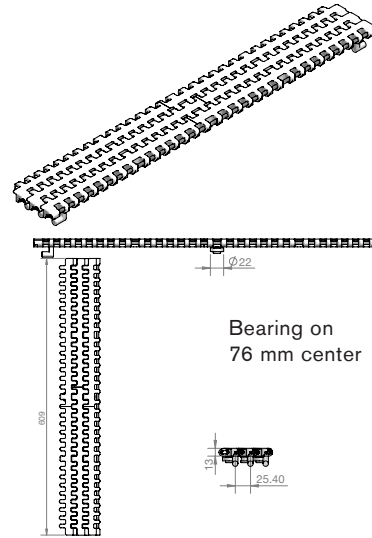


UOM: 3 Meter / box

Application: Suitable for horizontal and slope <5 Degree transport of products without/ with light accumulation

Curved Conveyors

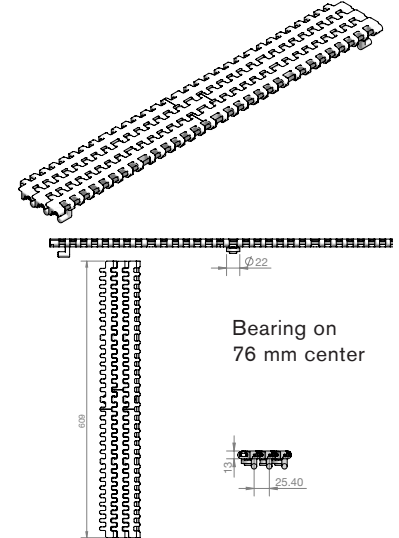
Standard Plain Chain with Alternate Bearing FXPC609-3R2



UOM: 3 Meter / box

Application: Suitable for horizontal and slope <5 Degree transport of products without/ with light accumulation

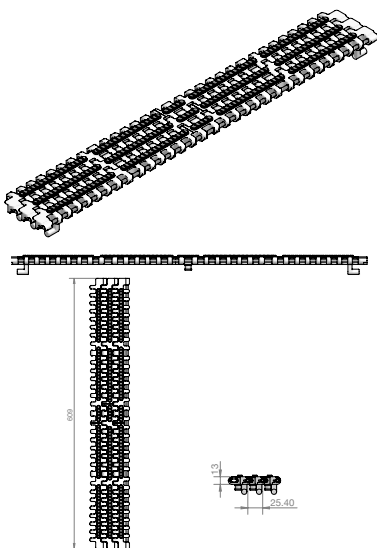
Standard Plain Chain with Alternate S/Steel Bearing FXPC609-3RS2



UOM: 3 Meter / box

Application: Suitable for horizontal and slope <5 Degree transport of products without/ with light accumulation

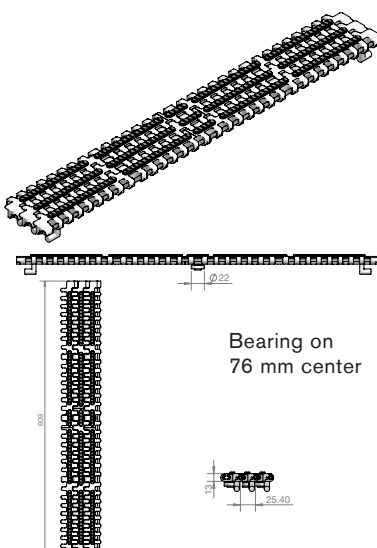
Friction Top Chain FXFT609-3



UOM: 3 Meter / box

Application: Suitable for horizontal and slope >5 Degree but <= 25 Degree transport of products without accumulation

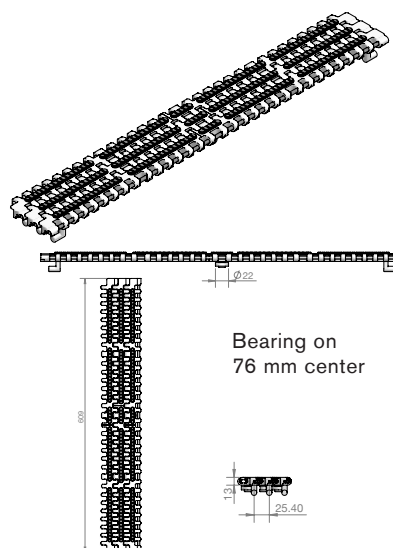
Friction Top Chain with Alternate Bearing FXFT609-3R2



UOM: 3 Meter / box

Application: Suitable for horizontal and slope >5 Degree but <= 25 Degree transport of products without accumulation

Friction Top Chain with Alternate S/Steel Bearing FXFT609-3RS2

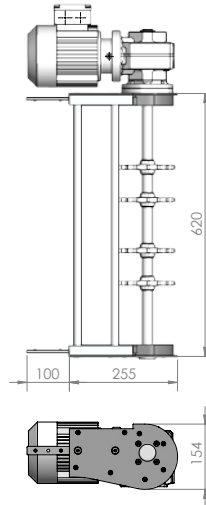
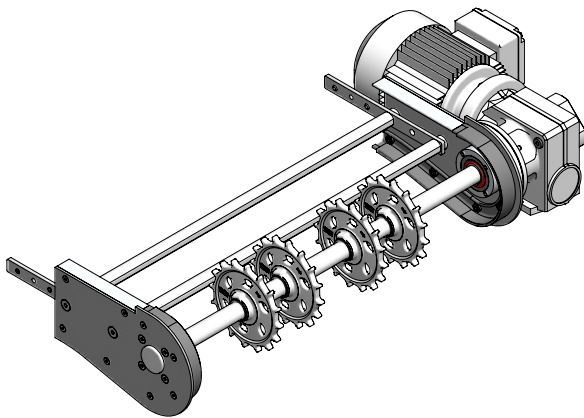


UOM: 3 Meter / box

Application: Suitable for horizontal and slope >5 Degree but <= 25 Degree transport of products without accumulation

FX609 Direct End Drive (LEFT)

FXDD609-0L



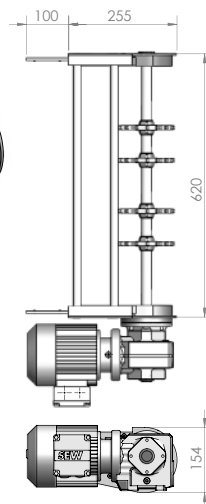
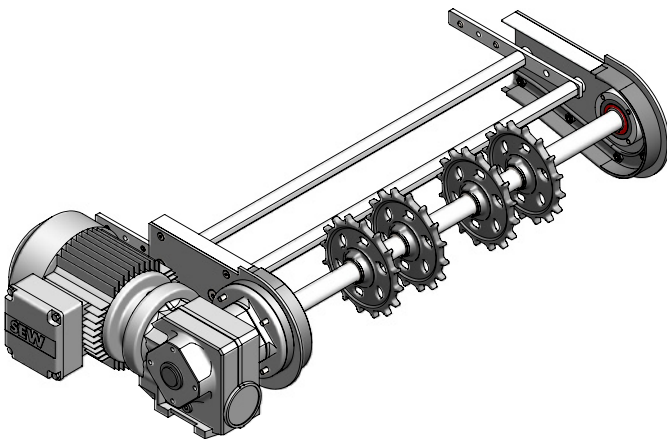
Max Traction Force: 3400 N
The Direct End Drive Unit is without torque limiter.

UOM: pc
Chain required 2-way: 0.58 m
Slide rail required 2-way: 0.8 m

Order Gearmotor Separately

FX609 Direct End Drive (RIGHT)

FXDD609-0R



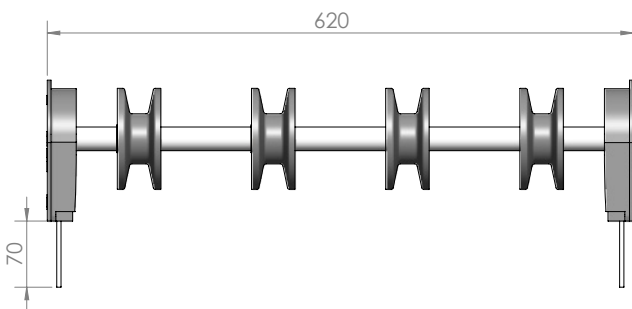
Max Traction Force: 3400 N
The Direct End Drive Unit is without torque limiter.

UOM: pc
Chain required 2-way: 0.58 m
Slide rail required 2-way: 0.8 m

Order Gearmotor Separately

FX609 Idler End

FXIE609

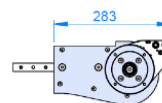
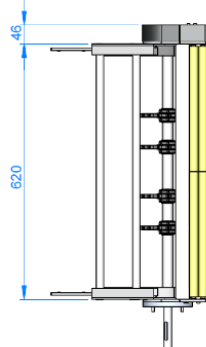
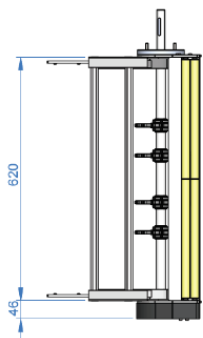
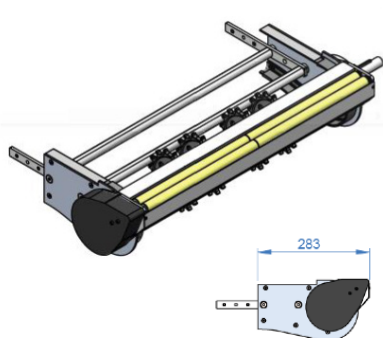


UOM: pc
Chain required 2-way: 0.35 m
Slide rail required 2-way: 0.0 m

Driven Transfer Drive

FXDD609-DB-A-0L (LEFT)

FXDD609-DB-A-0R (RIGHT)



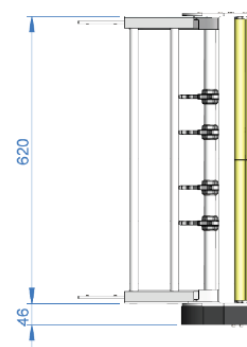
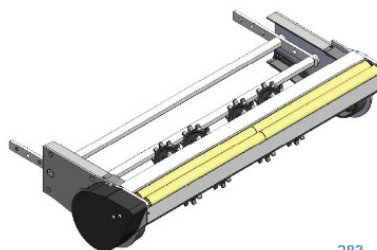
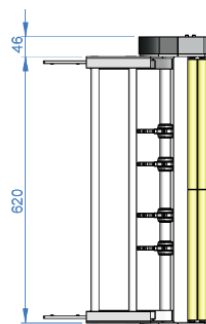
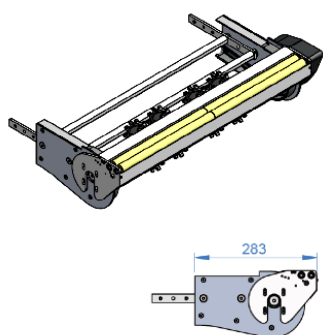
Max Traction Force: 3400 N
The Direct End Drive Unit is without torque limiter.

UOM: pc
Chain required 2-way: 0.58 m
Slide rail required 2-way: 0.8 m

Driven Transfer Idler

FXIE609-DB-A-L (LEFT)

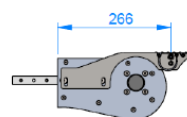
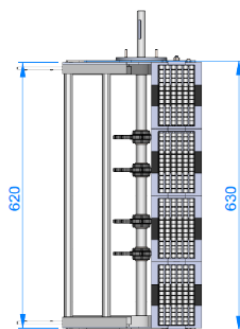
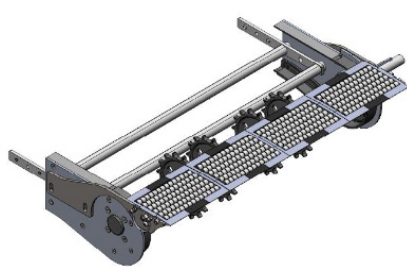
FXIE609-DB-A-R (RIGHT)



UOM: pc
Chain required 2-way: 0.58 m
Slide rail required 2-way: 0.8 m

Roller Transfer Drive

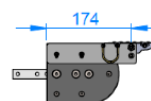
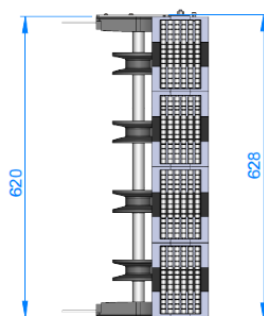
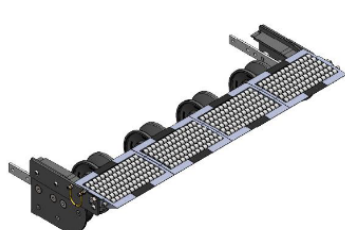
FXTB-A609



Order Drive Tail Separately

Roller Transfer Idler

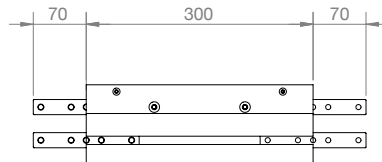
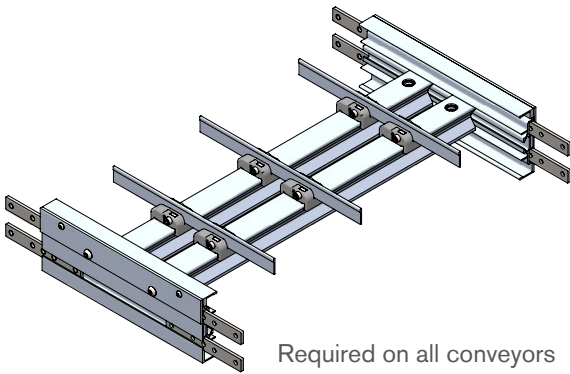
FXETB-A609



Order Idler Tail Separately

Chain Connecting Module

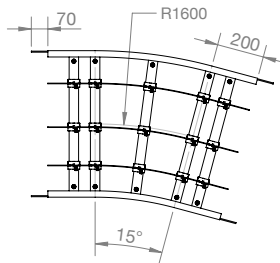
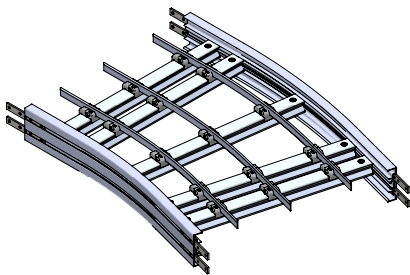
FXCC609



Required on all conveyors

UOM: pc

FX609 Horizontal Plain Bend 15°



Horizontal plain bend, 15° ± 1°

R = 1600 ± 10 mm **FXHB609X-15R1600**

Where X = Blank or S

S = Includes outer pinch guard slide rail

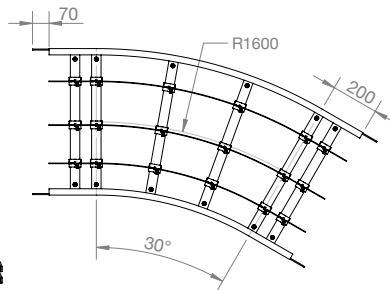
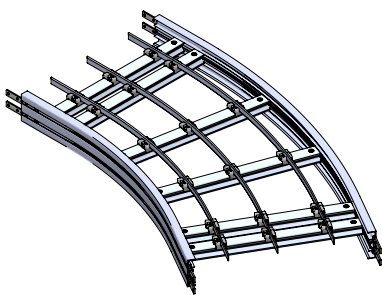
Blank = No slide rail included

UOM: pc

Chain required 2-way: 1.7 meter

Slide rail required 2-way: 8.7 meter

FX609 Horizontal Plain Bend 30°



Horizontal plain bend, 30° ± 1°

R = 1600 ± 10 mm **FXHB609X-30R1600**

Where X = Blank or S

S = Includes outer pinch guard slide rail

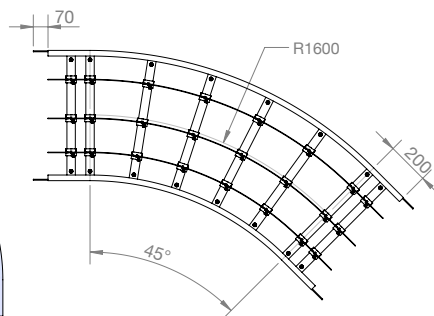
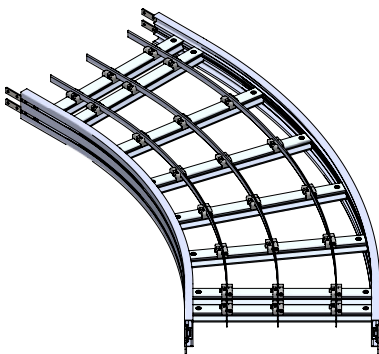
Blank = No slide rail included

UOM: pc

Chain required 2-way: 2.5 meter

Slide rail required 2-way: 8.7 meter

FX609 Horizontal Plain Bend 45°



Horizontal plain bend, 45° ± 1°

R = 1600 ± 10 mm **FXHB609X-45R1600**

Where X = Blank or S

S = Includes outer pinch guard slide rail

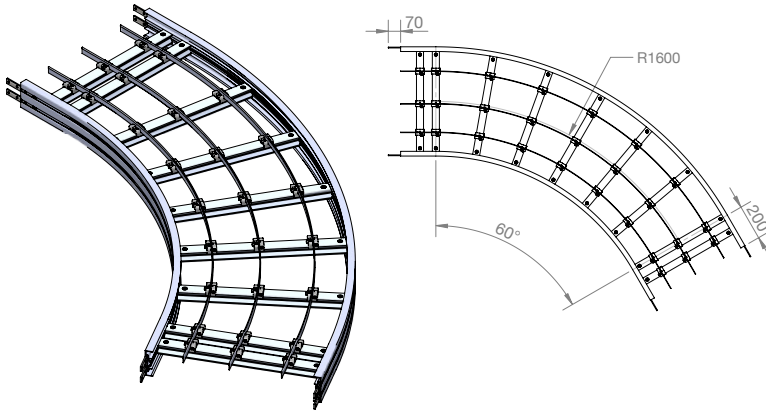
Blank = No slide rail included

UOM: pc

Chain required 2-way: 3.3 meter

Slide rail required 2-way: 11.6 meter

FX609 Horizontal Plain Bend 60°



Horizontal plain bend, 60° ± 1°

R = 1600 ± 10 mm **FXHB609X-60R1600**

Where X = Blank or S

S = Includes outer pinch guard slide rail

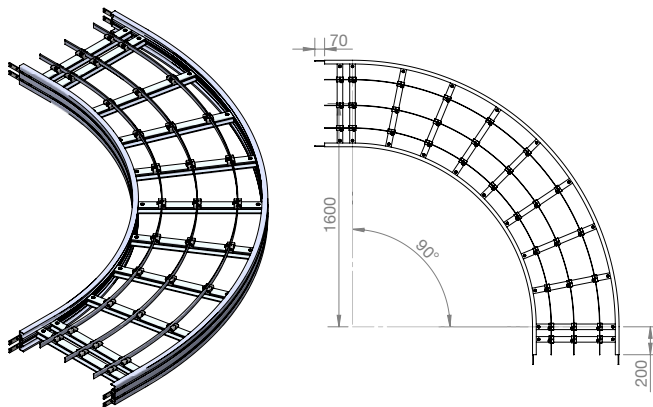
Blank = No slide rail included

UOM: pc

Chain required 2-way: 4.2 meter

Slide rail required 2-way: 14.5 meter

FX609 Horizontal Plain Bend 90°



Horizontal plain bend, 90° ± 1°

R = 1600 ± 10 mm **FXHB609X-90R1600**

Where X = Blank or S

S = Includes outer pinch guard slide rail

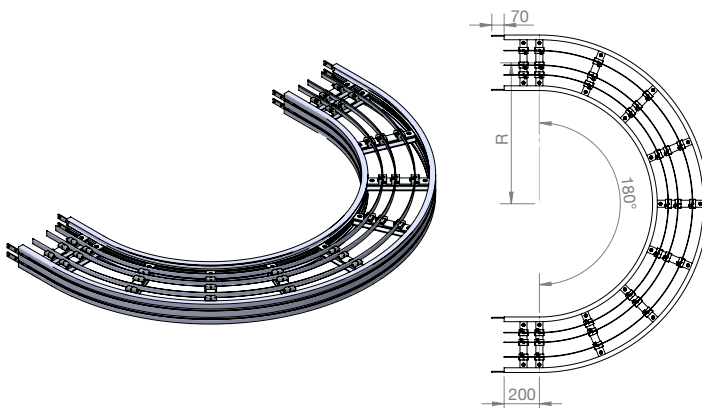
Blank = No slide rail included

UOM: pc

Chain required 2-way: 5.9 meter

Slide rail required 2-way: 20.4 meter

FX609 Horizontal Plain Bend 180°



Horizontal plain bend, 180° ± 1°

R = 1600 ± 10 mm **FXHB609X-180R1600**

Where X = Blank or S

S = Includes outer pinch guard slide rail

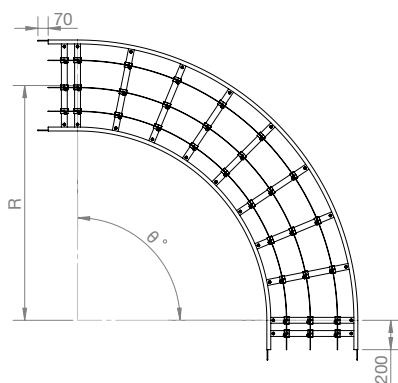
Blank = No slide rail included

UOM: pc

Chain required 2-way: 10.9 meter

Slide rail required 2-way: 38.0 meter

FX609 Horizontal Bend 5 - 180°



Example for FX609 Horizontal Bend Ordering

Horizontal Bend, ± 1°

R = 1600 ± 10mm **FXHB609X-R1600**

If a 120° angle is needed for horizontal bend,
the ordering part number is

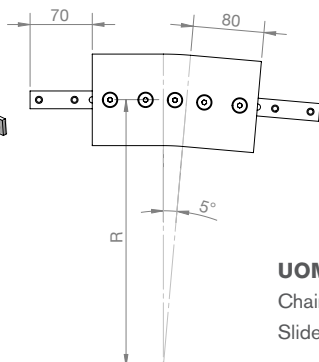
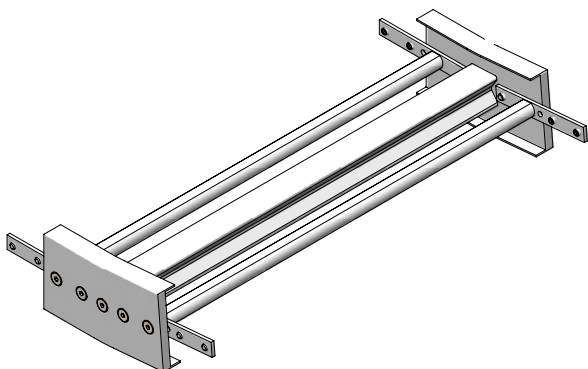
FXHB609X-120R1600

Where X = Blank or S

S = Includes outer pinch guard slide rail

Blank = No slide rail included

FX609 Vertical Bend 5°



Vertical bend, 5° ± 1°

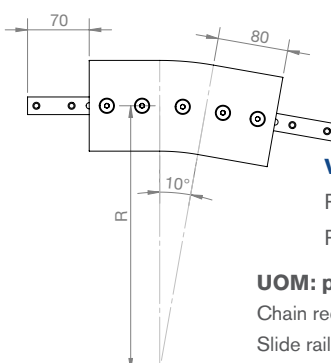
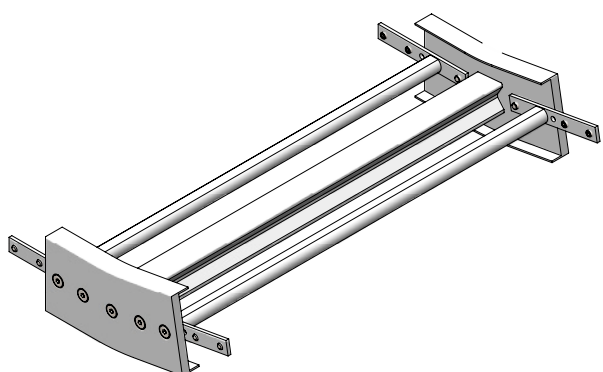
R = 300 mm
R = 500 mm

FXVB609-5R300
FXVB609-5R500

UOM: pc

Chain required 2-way (300, 500): 0.4, 0.4 meter
Slide rail required 2-way (300, 500): 0.8, 0.8 meter

FX609 Vertical Bend 10°



Vertical bend, 10° ± 1°

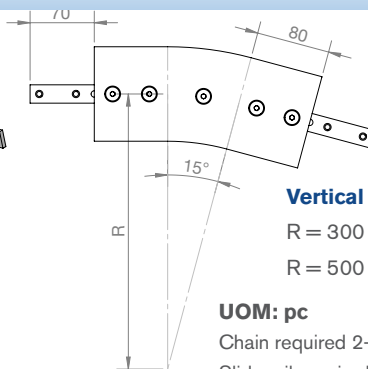
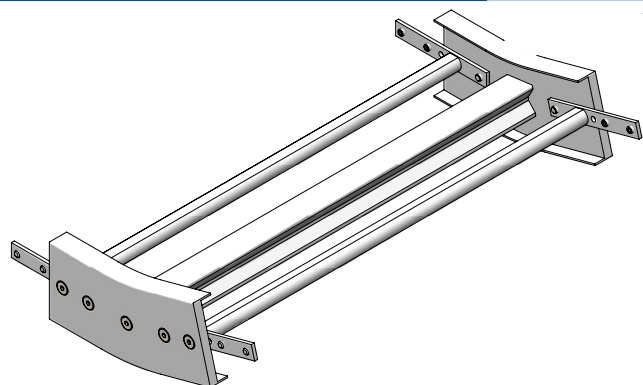
R = 300 mm
R = 500 mm

FXVB609-10R300
FXVB609-10R500

UOM: pc

Chain required 2-way (300, 500): 0.4, 0.5 meter
Slide rail required 2-way (300, 500): 0.9, 1.0 meter

FX609 Vertical Bend 15°



Vertical bend, 15° ± 1°

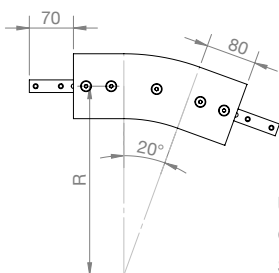
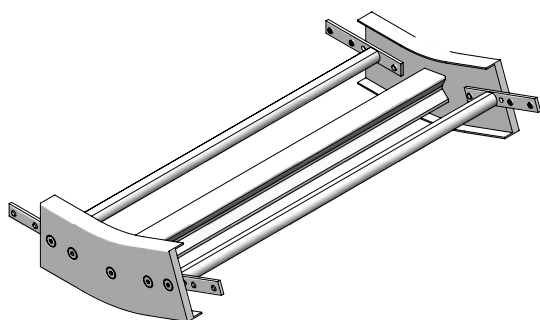
R = 300 mm
R = 500 mm

FXVB609-15R300
FXVB609-15R500

UOM: pc

Chain required 2-way (300, 500): 0.5, 0.6 meter
Slide rail required 2-way (300, 500): 1.0, 1.2 meter

FX609 Vertical Bend 20°



Vertical bend, 20° ± 1°

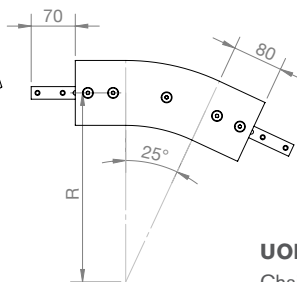
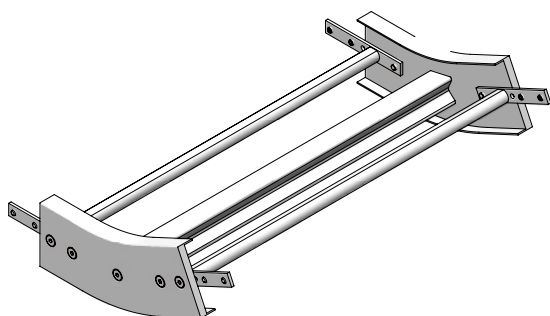
R = 300 mm
R = 500 mm

FXVB609-20R300
FXVB609-20R500

UOM: pc

Chain required 2-way (300, 500): 0.5, 0.7 meter
Slide rail required 2-way (300, 500): 1.1, 1.4 meter

FX609 Vertical Bend 25°



Vertical bend, 25 ± 1°

R = 300 mm

FXVB609-25R300

R = 500 mm

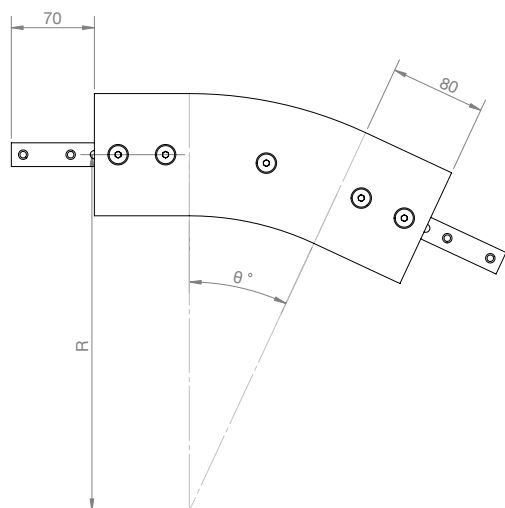
FXVB609-25R500

UOM: pc

Chain required 2-way (300, 500): 0.6, 0.8 meter

Slide rail required 2-way (300, 500): 1.2, 1.5 meter

FX609 Vertical Bend 5 - 25°



Example for FX609 Vertical Bend Ordering

Vertical Bend, ± 1°

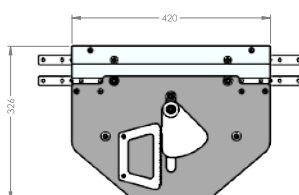
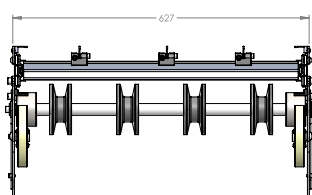
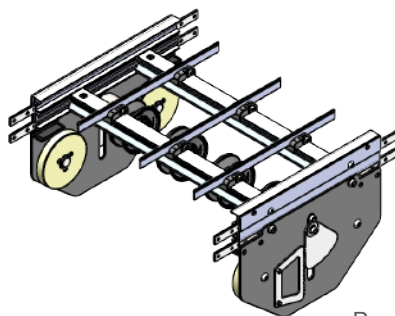
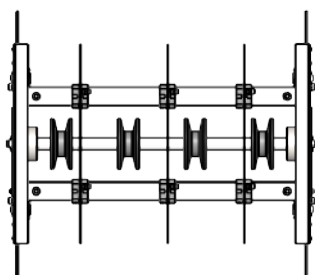
FXVB609-R300

If a 7° angle is needed for vertical bend,
the ordering part number is

FXVB609-7R300

FX609 Weighted Take-up

FX609WTU



Recommended for conveyors over 12 m long.
Provides gravity take-up for chain stretch.
Locate close to drive end for proper performance.

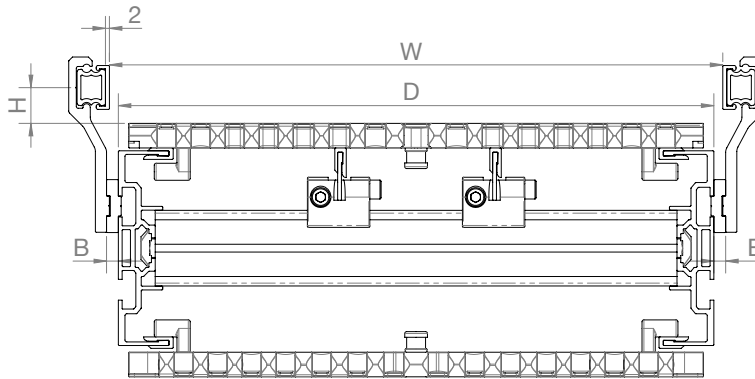
UOM: pc

Chain required: 1 meter

Slide rail required: 1 meter

FGRB-16x54

Fixed Guide Rail Assembly



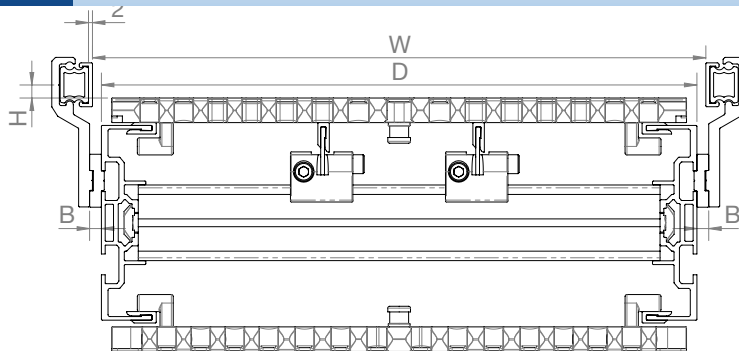
B Spacer = FGRD-6

See page 50
for components

Guide Rail Bracket	Series	D (mm)	H (mm)	W (mm) B = 0	W (mm) B = 6.3	W (mm) B = 12.6	W (mm) B = 18.9
FGRB - 16x54	FX152	163	18.9	—	172.3	184.9	197.5
FGRB - 16x54	FX304	315	18.9	—	324.3	336.9	349.5
FGRB - 16x54	FX457	468	18.9	—	477.3	489.9	502.5
FGRB - 16x54	FX609	620	18.9	—	629.3	641.9	654.5

FGRB-16x42

Fixed Guide Rail Assembly



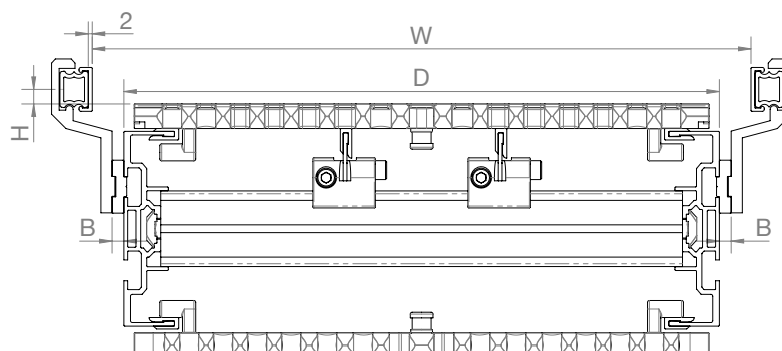
B Spacer = FGRD-6

See page 50
for components

Guide Rail Bracket	Series	D (mm)	H (mm)	W (mm) B = 0	W (mm) B = 6.3	W (mm) B = 12.6	W (mm) B = 18.9
FGRB - 16x42	FX152	163	6.9	—	172.3	184.9	197.5
FGRB - 16x42	FX304	315	6.9	—	324.3	336.9	349.5
FGRB - 16x42	FX457	468	6.9	—	477.3	489.9	502.5
FGRB - 16x42	FX609	620	6.9	—	629.3	641.9	654.5

FGRB-28x42

Fixed Guide Rail Assembly



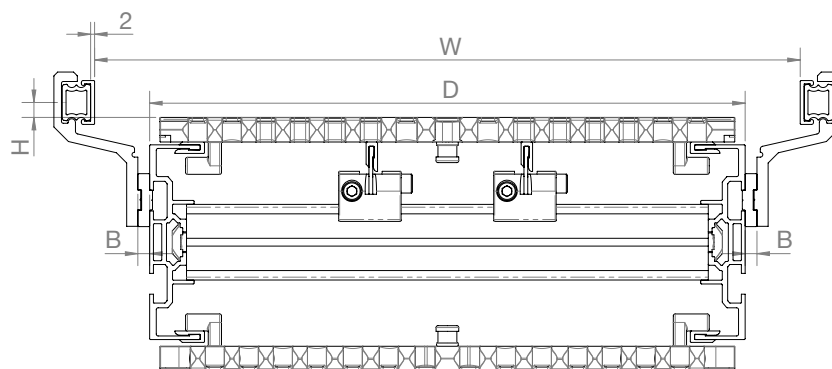
B Spacer = FGRD-6

See page 50
for components

Guide Rail Bracket	Series	D (mm)	H (mm)	W (mm) B = 0	W (mm) B = 6.3	W (mm) B = 12.6	W (mm) B = 18.9
FGRB - 28x42	FX152	163	7.7	183.8	196.4	209	221.6
FGRB - 28x42	FX304	315	7.7	335.8	348.4	361	373.6
FGRB - 28x42	FX457	468	7.7	488.8	501.4	514	526.6
FGRB - 28x42	FX609	620	7.7	640.8	653.4	666	678.6

FGRB-40x42

Fixed Guide Rail Assembly



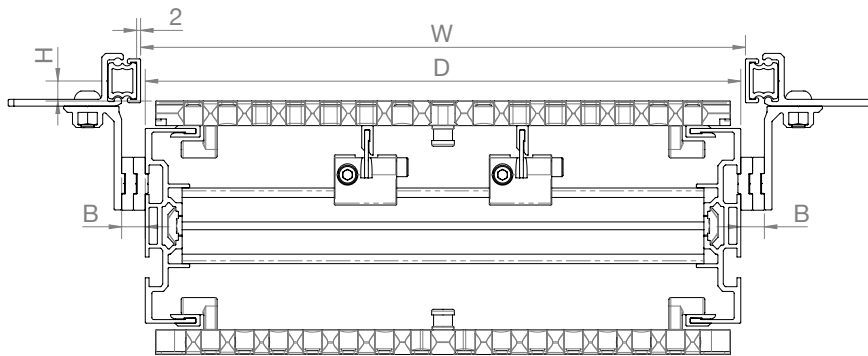
B Spacer = FGRD-6

See page 50
for components

Guide Rail Bracket	Series	D (mm)	H (mm)	W (mm) B = 0	W (mm) B = 6.3	W (mm) B = 12.6	W (mm) B = 18.9
FGRB - 40x42	FX152	163	7.9	208.6	221.2	233.8	246.4
FGRB - 40x42	FX304	315	7.9	360.6	373.2	385.8	398.4
FGRB - 40x42	FX457	468	7.9	513.6	526.2	538.8	551.4
FGRB - 40x42	FX609	620	7.9	665.6	678.2	690.8	703.4

FGRA-8x39x45

Adjustable Guide Rail Assembly



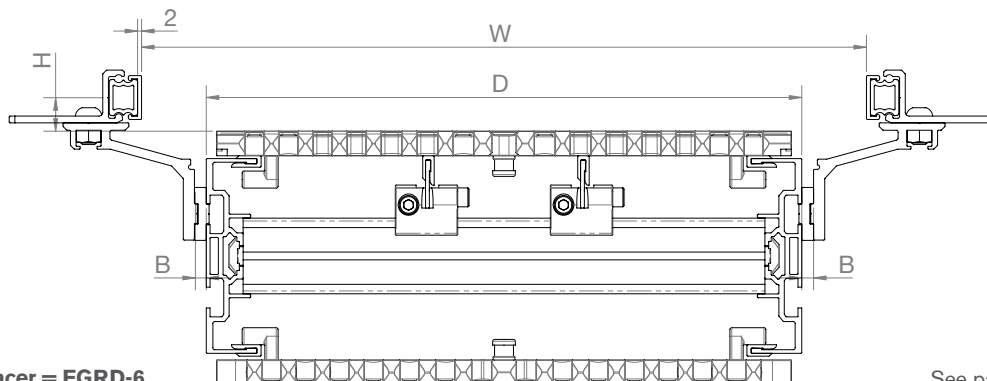
B Spacer = FGRD-6

See page 49
for components

Guide Rail Bracket	Series	D (mm)	H (mm)	W (mm) min B = 12.6	W (mm) max B = 12.6	W (mm) min B = 18.9	W (mm) max B = 18.9
FGRA - 8x39x45	FX152	163	10.6	163	166	163	180.6
FGRA - 8x39x45	FX304	315	10.6	315	318	315	332.6
FGRA - 8x39x45	FX457	468	10.6	468	471	468	485.6
FGRA - 8x39x45	FX609	620	10.6	620	623	620	637.6

FGRA-26x39x45

Adjustable Guide Rail Assembly



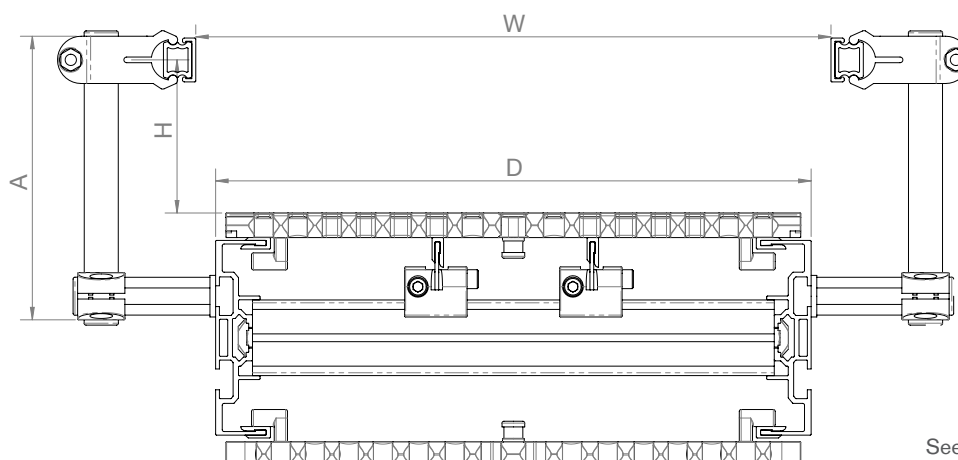
B Spacer = FGRD-6

See page 49
for components

Guide Rail Bracket	Series	D (mm)	H (mm)	W (mm) min B = 0	W (mm) max B = 0	W (mm) min B = 6.3	W (mm) max B = 6.3
FGRB - 26X39X45	FX152	163	17.7	163	218.8	163	231.4
FGRB - 26X39X45	FX304	315	17.7	315	370.8	315	383.4
FGRB - 26X39X45	FX457	468	17.7	468	523.8	468	536.4
FGRB - 26X39X45	FX609	620	17.7	620	675.8	620	688.4

FGRS-18 & FGDT- & FGGR-

Guide Rail Assembly



See pages 48 & 55
for components

A (mm)	Series	D (mm)	H (mm) Min	H (mm) Max
FGGR-18X100	FX152	163	17	31
FGGR-18X100	FX304	315	17	31
FGGR-18X100	FX457	468	17	31
FGGR-18X100	FX609	620	17	31

B (mm)	Series	D (mm)	H (mm) Min	H (mm) Max
FGDT-70	FX152	163	94	184
FGDT-70	FX304	315	246	336
FGDT-70	FX457	468	399	489
FGDT-70	FX609	620	551	641

A (mm)	Series	D (mm)	H (mm) Min	H (mm) Max
FGGR-18X150	FX152	163	17	81
FGGR-18X150	FX304	315	17	81
FGGR-18X150	FX457	468	17	81
FGGR-18X150	FX609	620	17	81

B (mm)	Series	D (mm)	H (mm) Min	H (mm) Max
FGDT-100	FX152	163	94	244
FGDT-100	FX304	315	246	396
FGDT-100	FX457	468	399	549
FGDT-100	FX609	620	551	701

A (mm)	Series	D (mm)	H (mm) Min	H (mm) Max
FGGR-18X200	FX152	163	17	131
FGGR-18X200	FX304	315	17	131
FGGR-18X200	FX457	468	17	131
FGGR-18X200	FX609	620	17	131

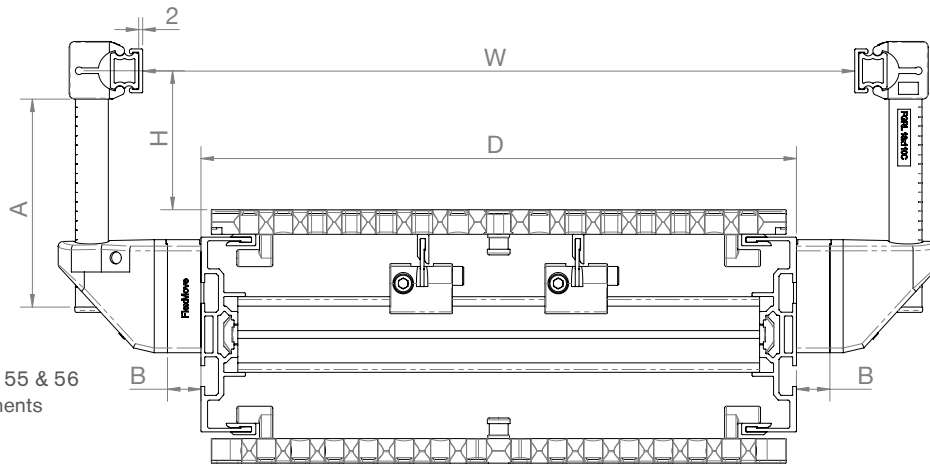
B (mm)	Series	D (mm)	H (mm) Min	H (mm) Max
FGDT-150	FX152	163	94	344
FGDT-150	FX304	315	246	496
FGDT-150	FX457	468	399	649
FGDT-150	FX609	620	551	801

A (mm)	Series	D (mm)	H (mm) Min	H (mm) Max
FGGR-18X250	FX152	163	17	181
FGGR-18X250	FX304	315	17	181
FGGR-18X250	FX457	468	17	181
FGGR-18X250	FX609	620	17	181

B (mm)	Series	D (mm)	H (mm) Min	H (mm) Max
FGDT-200	FX152	163	94	444
FGDT-200	FX304	315	246	596
FGDT-200	FX457	468	399	749
FGDT-200	FX609	620	551	901

FGRL-18x110C & FGRF-42x18V

Guide Rail Assembly



See pages 55 & 56 for components

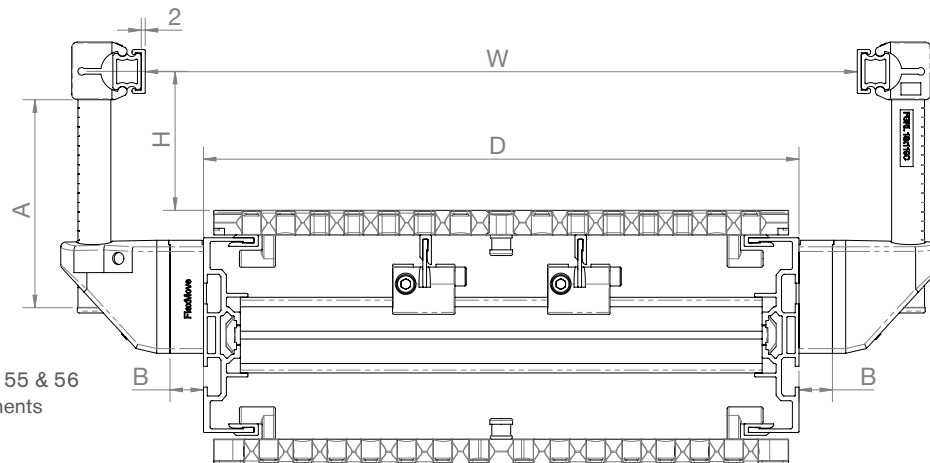
B Spacer = FGRD-18A

Note:
Plastic guide supports used for light products.

Guide Rail	Guide Rail	Series	D (mm)	A (mm)	H (mm) Min	H (mm) Max	W (mm) B = 0	W (mm) B = 18	W (mm) B = 36
FGRL - 18x110C	FGRF - 42x18V	FX152	163	110	0	73.5	189	225	261
FGRL - 18x110C	FGRF - 42x18V	FX304	315	110	0	73.5	341	377	413
FGRL - 18x110C	FGRF - 42x18V	FX457	468	110	0	73.5	494	530	566
FGRL - 18x110C	FGRF - 42x18V	FX609	620	110	0	73.5	646	682	718

FGRL-18x160C & FGRF-42x18V

Guide Rail Assembly



See pages 55 & 56 for components

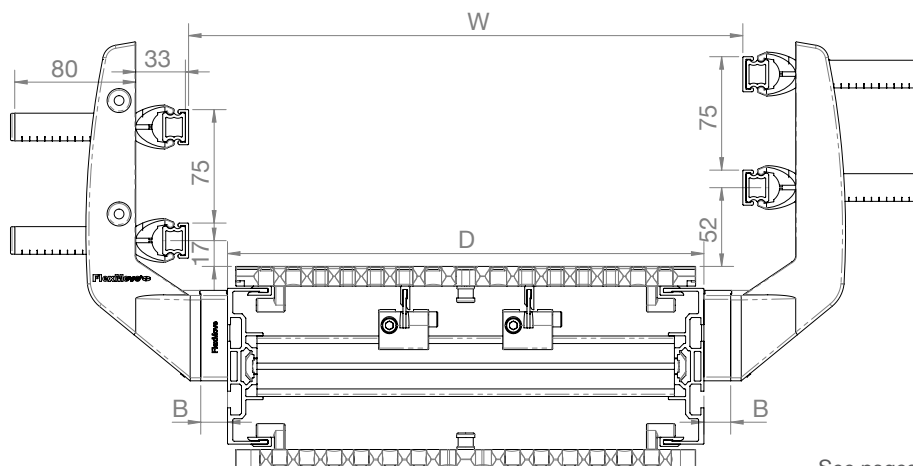
B Spacer = FGRD-18A

Note:
Plastic guide supports used for light products.

Guide Rail	Guide Rail	Series	D (mm)	A (mm)	H (mm) Min	H (mm) Max	W (mm) B = 0	W (mm) B = 18	W (mm) B = 36
FGRL - 18x160C	FGRF - 42x18V	FX152	163	160	0	123.5	189	225	261
FGRL - 18x160C	FGRF - 42x18V	FX304	315	160	0	123.5	341	377	413
FGRL - 18x160C	FGRF - 42x18V	FX457	468	160	0	123.5	494	530	566
FGRL - 18x160C	FGRF - 42x18V	FX609	620	160	0	123.5	646	682	718

FGRF-A110 & FGRK-18x80A

Guide Rail Assembly



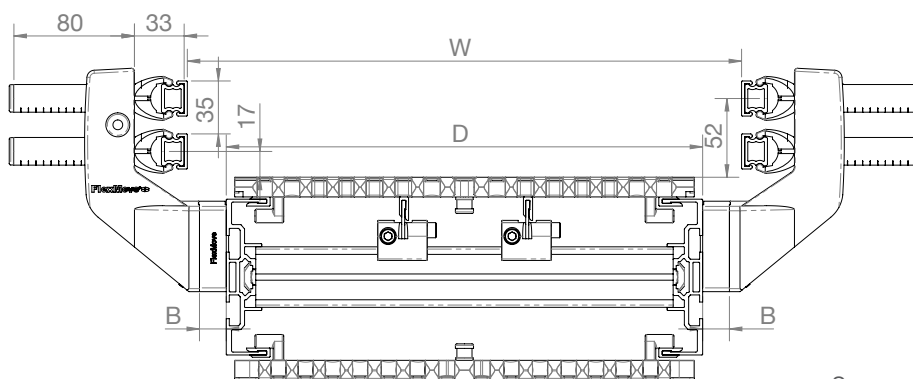
B Spacer = FGRD-18A

See pages 56, 57 & 58 for components

Guide Rail	Guide Rail	Series	D (mm)	A (mm)	H (mm) Min	H (mm) Max	W (mm) B = 0	W (mm) B = 18	W (mm) B = 36
FGRF-A110	FGRK-18x80A	FX152	163	85	121	157	179	215	251
FGRF-A110	FGRK-18x80A	FX304	315	237	273	309	331	367	403
FGRF-A110	FGRK-18x80A	FX457	468	390	426	462	484	520	556
FGRF-A110	FGRK-18x80A	FX609	620	572	608	644	636	672	708

FGRF-A35 & FGRK-18x80A

Guide Rail Assembly

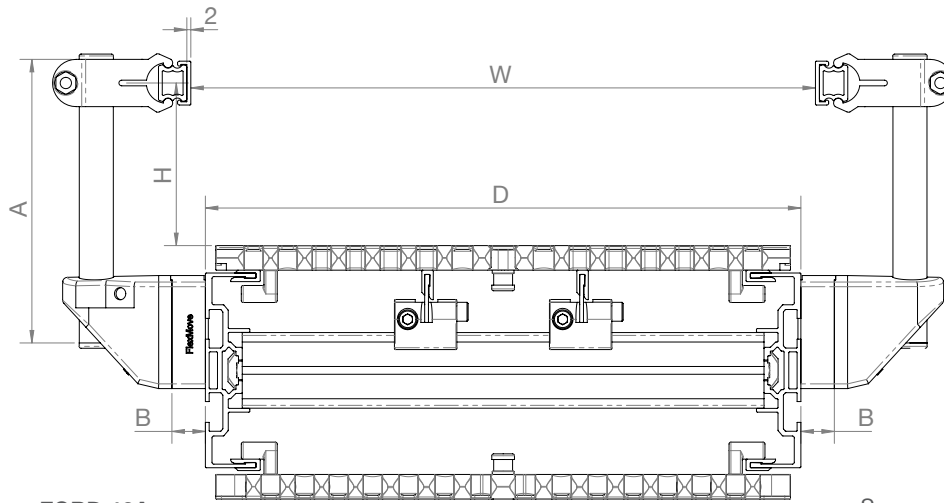


B Spacer = FGRD-18A

See pages 56 & 57 for components

Guide Rail	Guide Rail	Series	D (mm)	A (mm)	H (mm) Min	H (mm) Max	W (mm) B = 0	W (mm) B = 18	W (mm) B = 36
FGRF-A35	FGRK - 18x80A	FX152	163	85	121	157	179	215	251
FGRF-A35	FGRK - 18x80A	FX304	315	237	273	309	331	367	403
FGRF-A35	FGRK - 18x80A	FX457	468	390	426	462	484	520	556
FGRF-A35	FGRK - 18x80A	FX609	620	572	608	644	636	672	708

FGRF-42x18V FGRS-18 & FGGR-18X150 Guide Rail Assembly

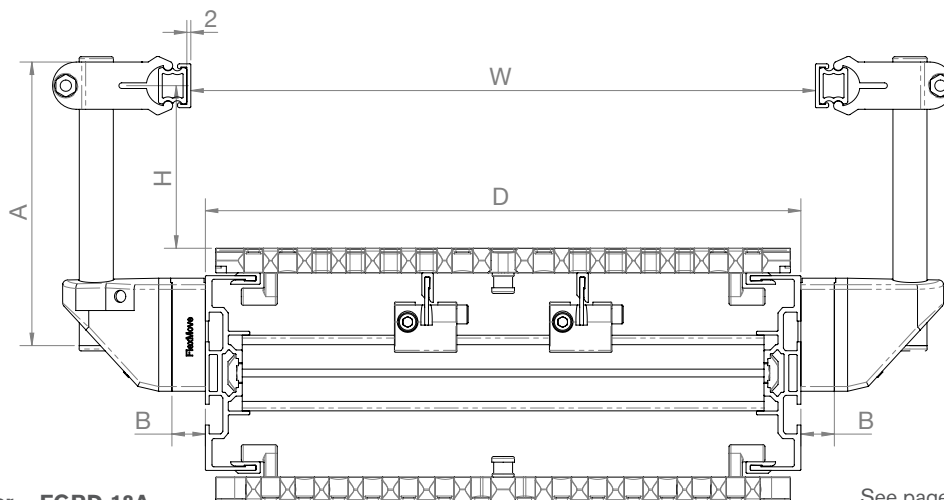


B Spacer = FGRD-18A

See pages 48, 55 & 56 for components

Guide Rail	Guide Rail	Series	D (mm)	A (mm)	H (mm) Min	H (mm) Max	W (mm) B = 0	W (mm) B = 18	W (mm) B = 36
FGRS-18	FGGR-18X150	FX152	163	150	0	86	142	178	214
FGRS-18	FGGR-18X150	FX304	315	150	0	86	294	330	366
FGRS-18	FGGR-18X150	FX457	468	150	0	86	447	483	519
FGRS-18	FGGR-18X150	FX609	620	150	0	86	599	635	671

FGRF-42x18V FGRS-18 & FGGR-18X200 Guide Rail Assembly

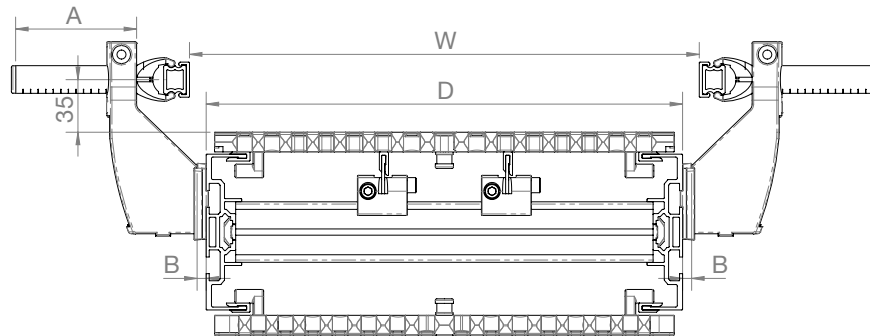


B Spacer = FGRD-18A

See pages 48, 55 & 56 for components

Guide Rail	Guide Rail	Series	D (mm)	A (mm)	H (mm) Min	H (mm) Max	W (mm) B = 0	W (mm) B = 18	W (mm) B = 36
FGRS-18	FGGR-18X200	FX152	163	200	0	136	142	178	214
FGRS-18	FGGR-18X200	FX304	315	200	0	136	294	330	366
FGRS-18	FGGR-18X200	FX457	468	200	0	136	447	483	519
FGRS-18	FGGR-18X200	FX609	620	200	0	136	599	635	671

FGRB-40x18 & FGRK-18x80 Guide Rail Assembly



B Spacer = FGRD-6B

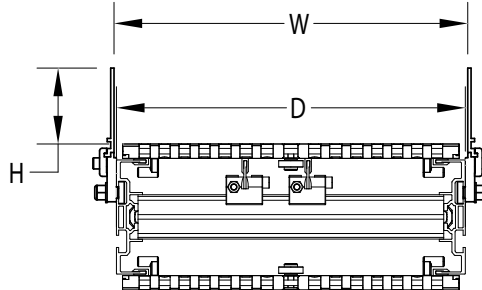
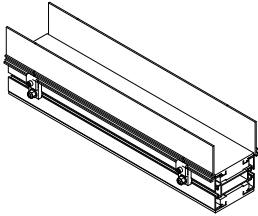
See pages 56, 58 & 59 for components

Guide Rail	Guide Rail	Series	A (mm)	B (mm)	D (mm)	W (mm) Min	W (mm) Max
FGRB-40x18	FGRK-18x80	FX152	80	0	163	73	173
FGRB-40x18	FGRK-18x80	FX304	80	0	315	225	325
FGRB-40x18	FGRK-18x80	FX457	80	0	468	376	476
FGRB-40x18	FGRK-18x80	FX609	80	0	620	530	630
FGRB-40x18	FGRK-18x80	FX152	80	6	163	85	185
FGRB-40x18	FGRK-18x80	FX304	80	6	315	237	337
FGRB-40x18	FGRK-18x80	FX457	80	6	468	388	488
FGRB-40x18	FGRK-18x80	FX609	80	6	620	542	642
FGRB-40x18	FGRK-18x80	FX152	80	12	163	97	197
FGRB-40x18	FGRK-18x80	FX304	80	12	315	249	349
FGRB-40x18	FGRK-18x80	FX457	80	12	468	400	500
FGRB-40x18	FGRK-18x80	FX609	80	12	620	554	654
FGRB-40x18	FGRK-18x80	FX152	80	18	163	109	209
FGRB-40x18	FGRK-18x80	FX304	80	18	315	261	361
FGRB-40x18	FGRK-18x80	FX457	80	18	468	412	512
FGRB-40x18	FGRK-18x80	FX609	80	18	620	566	666

FGHS-30/FGHS-70

Fixed High Side Guide Assembly

FGHS-30/70 Assembly

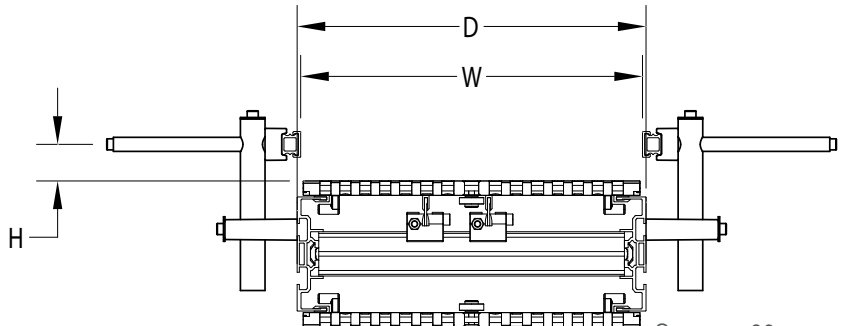
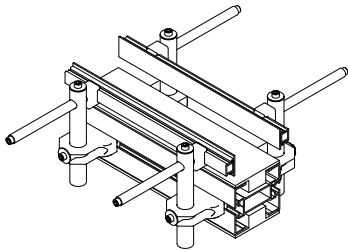


See pages 59 & 60
for components

Guide Rail Bracket	FX Series	D (mm)	FGHS-30 Rail	FGHS-70 Rail	W (mm) B = 0
			H (mm)	H (mm)	
FGRD-HS	152	163	30.4	68.5	167
FGRD-HS	304	315	30.4	68.5	319
FGRD-HS	452	468	30.4	68.5	472
FGRD-HS	609	620	30.4	68.5	624

FGRA-22HD Heavy Duty Fully Adjustable Guide Assembly

FGRA-22HD Assembly

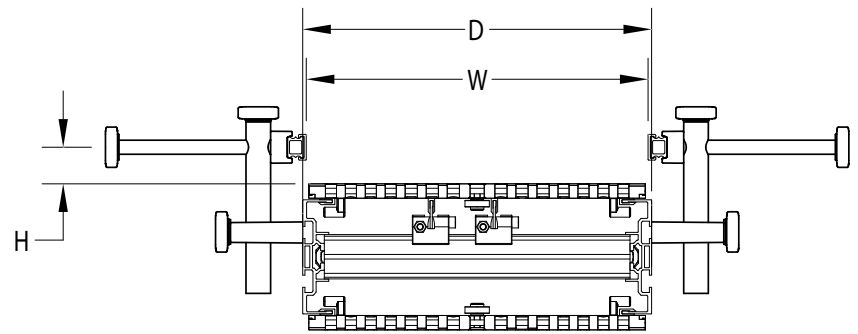
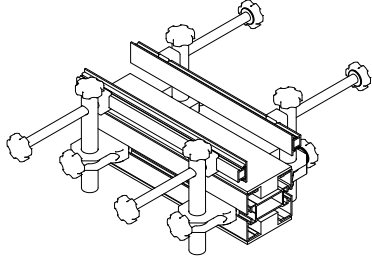


See page 60 for components

Bracket Assembly	FX Series	D (mm)	H (mm) Min	H (mm) Max	W (mm) Min	W (mm) Max
FGRA-22HD	152	163	14	77	0	156
FGRA-22HD	304	315	14	77	82	308
FGRA-22HD	452	468	14	77	235	461
FGRA-22HD	609	620	14	77	387	613

FGRA-22HDT Heavy Duty Tool-less Fully Adjustable Guide Assembly

FGRB-53x42 Assembly

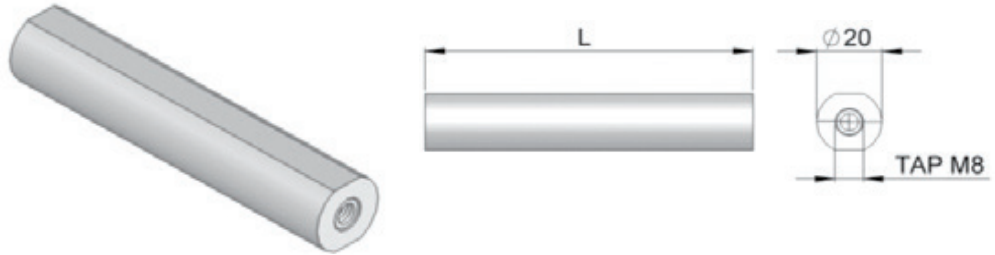


See page 60 for components

Bracket Assembly	FX Series	D (mm)	H (mm) Min	H (mm) Max	W (mm) Min	W (mm) Max
FGRA-22HDT	152	163	14	77	0	156
FGRA-22HDT	304	315	14	77	82	308
FGRA-22HDT	452	468	14	77	235	461
FGRA-22HDT	609	620	14	77	387	613

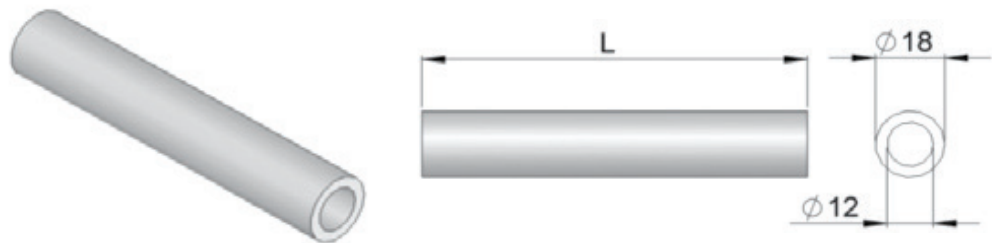
FGDT-70	Distance Tube, L = 70 mm - Aluminum
FGDT-80	Distance Tube, L = 80 mm - Aluminum
FGDT-100	Distance Tube, L = 100 mm - Aluminum
FGDT-150	Distance Tube, L = 150 mm - Aluminum
FGDT-200	Distance Tube, L = 200 mm - Aluminum
FGDT-250	Distance Tube, L = 250 mm - Aluminum

UOM: 10 pcs / pk



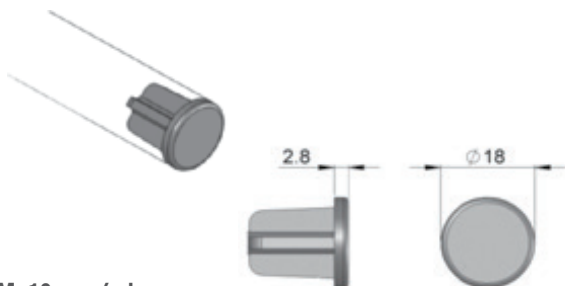
FGGR-18X100	18mm Tube, L = 100 mm - Aluminum
FGGR-18X150	18mm Tube, L = 150 mm - Aluminum
FGGR-18X200	18mm Tube, L = 200 mm - Aluminum
FGGR-18X250	18mm Tube, L = 250 mm - Aluminum
FGGR-18X300	18mm Tube, L = 300 mm - Aluminum

UOM: 10 pcs / pk

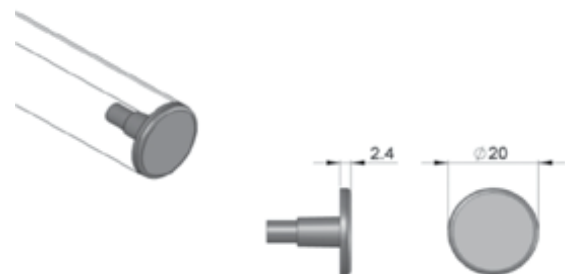


FGEC-18	End cap, 18 mm Tube - Polyamide	FGEC-20	End cap, Distance Tube - Polyamide
---------	---------------------------------	---------	------------------------------------

UOM: 10 pcs / pk

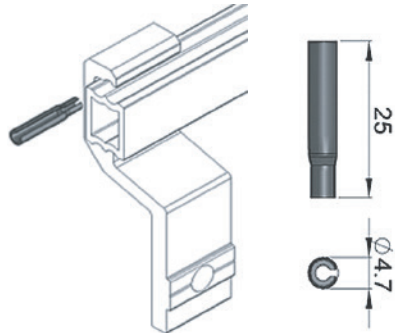


UOM: 10 pcs / pk



FGAP-25

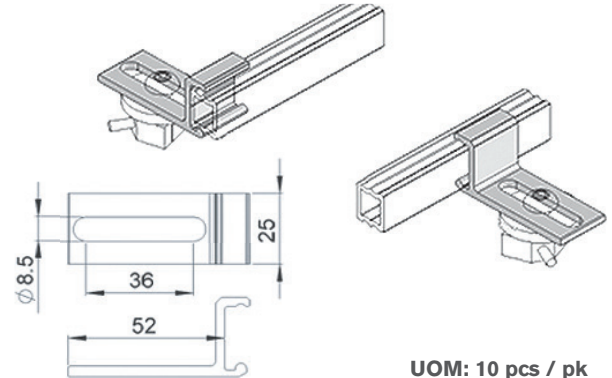
Spring Pin - Steel



UOM: 50pcs / pk

FGRA-26x39x45A

Bracket for sensor - Aluminum

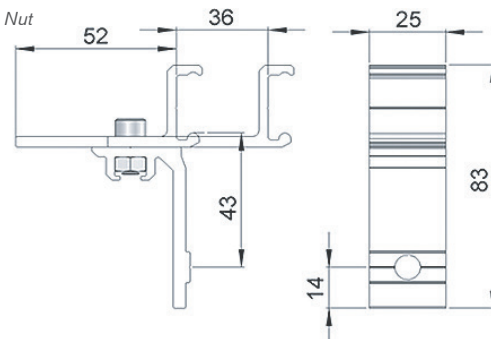
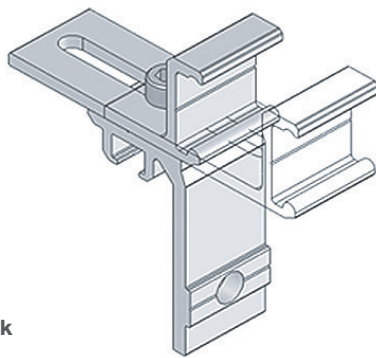


UOM: 10 pcs / pk

FGRA-8x39x45

Adjustable Guide Rail Bracket - Aluminum

Including spring pin, M6 screw & Nut

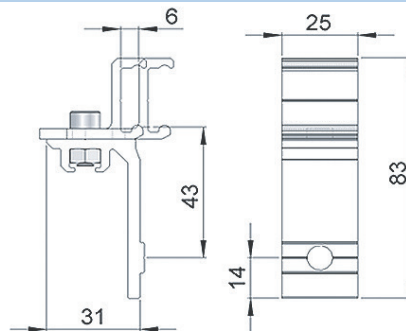
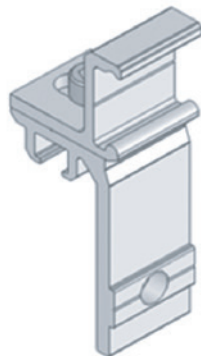


UOM: 10 pcs / pk

Mounting to beam: FATB-20 (1), FALN-M8 (1), FAFW-M8 (1)

FGRA-8x9x45

Adjustable Guide Rail Bracket - Aluminum



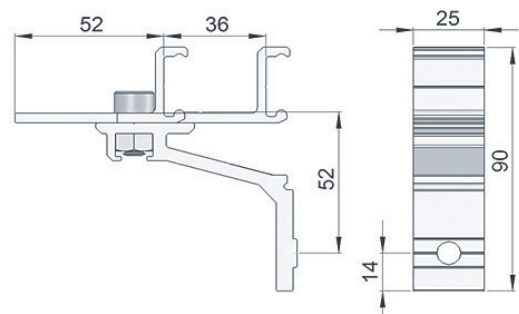
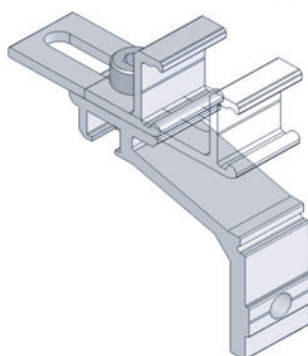
UOM: 10 pcs / pk

Mounting to beam: FATB-20 (1), FALN-M8 (1), FAFW-M8 (1)

FGRA-26x39x45

Adjustable Guide Rail Bracket - Aluminum

Including spring pin, M8 screw & nut



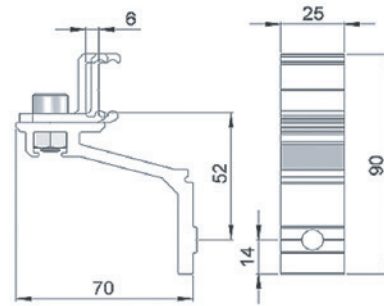
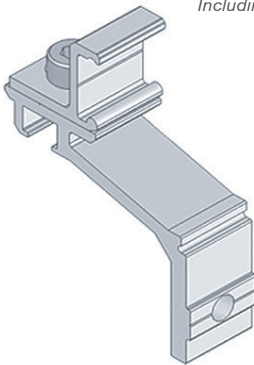
UOM: 10 pcs / pk

Mounting to beam: FATB-20 (1), FALN-M8 (1), FAFW-M8 (1)

FGRA-26x9x45

Adjustable Guide Rail Bracket - Aluminum

Including spring pin, M8 screw & nut



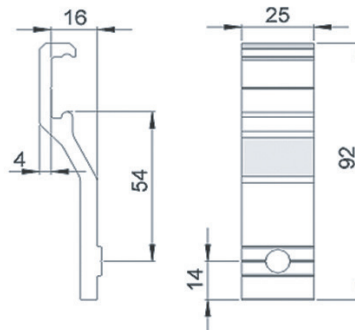
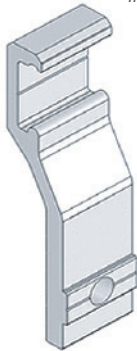
UOM: 10 pcs / pk

Mounting to beam: FATB-20 (1), FALN-M8 (1), FAFW-M8 (1)

FGRB-16x54

Fixed Guide Rail Bracket - Aluminum

Including spring pin.



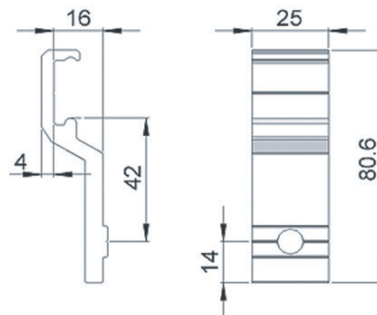
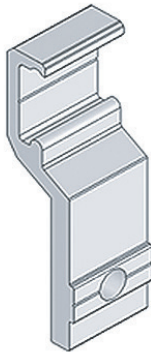
UOM: 10 pcs / pk

Mounting to beam: FATB-20 (1), FALN-M8 (1), FAFW-M8 (1)

FGRB-16x42

Fixed Guide Rail Bracket - Aluminum

Including spring pin.



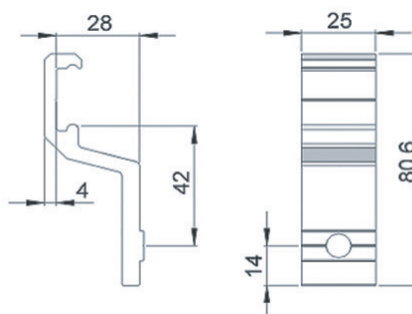
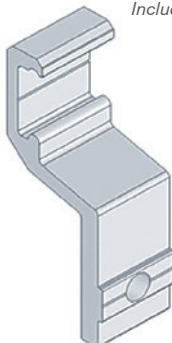
UOM: 10 pcs / pk

Mounting to beam: FATB-20 (1), FALN-M8 (1), FAFW-M8 (1)

FGRB-28x42

Fixed Guide Rail Bracket - Aluminum

Including spring pin.



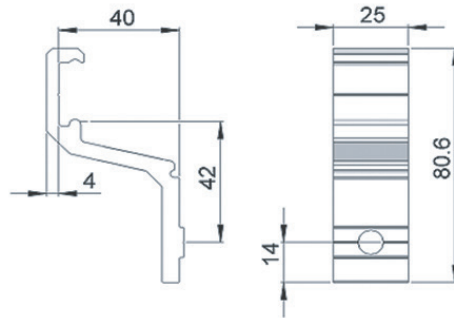
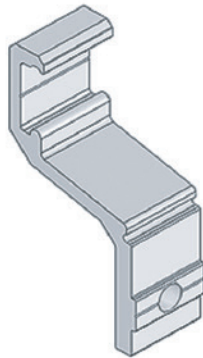
UOM: 10 pcs / pk

Mounting to beam: FATB-20 (1), FALN-M8 (1), FAFW-M8 (1)

FGRB-40x42

Fixed Guide Rail Bracket - Aluminum

Including spring pin.

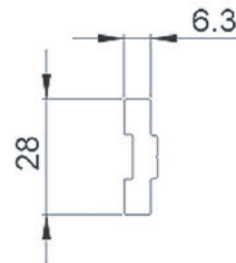
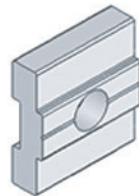
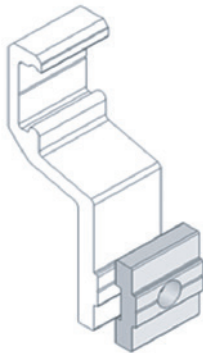


UOM: 10 pcs / pk

Mounting to beam: FATB-20 (1), FALN-M8 (1), FAFW-M8 (1)

FGRD-6

Guide Rail Bracket Spacer - Aluminum

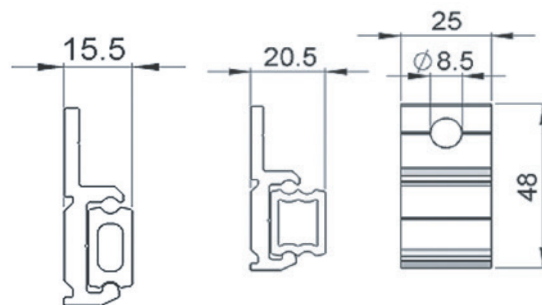
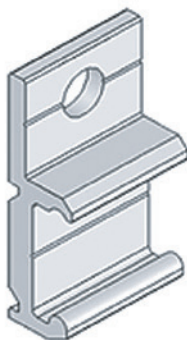


UOM: 10 pcs / pk

Guide Rail Support - Aluminum

FGRC-20

Guide Rail Support - Aluminum

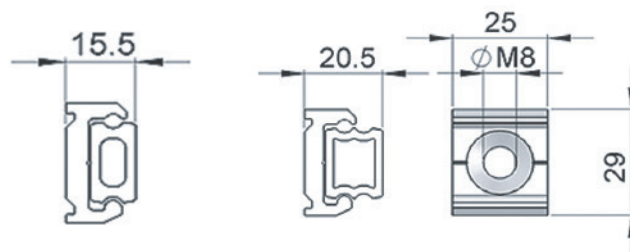
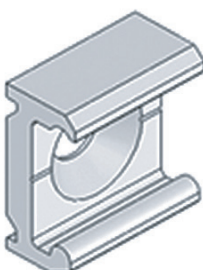


UOM: 10 pcs / pk

Mounting: FAHB-M8 x 12 (1), FASN-M8 (1), FAFW-M8 (1)

FGRC-20A

Guide Rail Support - Aluminum

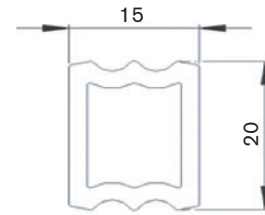
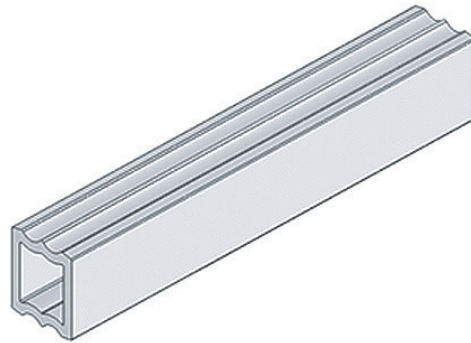


UOM: 10 pcs / pk

Mounting: C'SUNK M8 x 12

FGRR-15x20

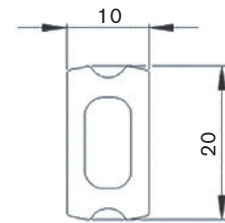
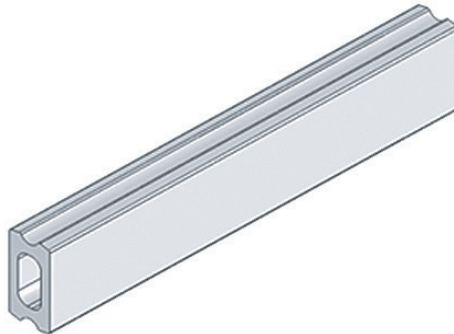
Guide Rail Rectangular, 15mm x 20 mm - Aluminum



UOM: 3 meter / length

FGRR-10x20

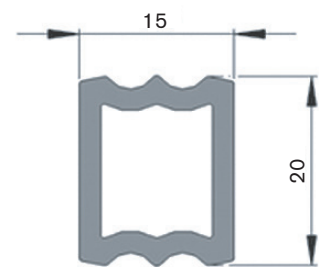
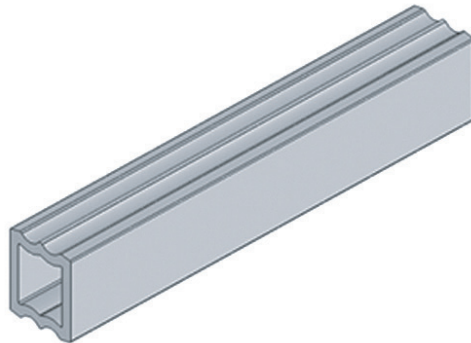
Guide Rail Rectangular, 10 mm x 20 mm - Aluminum



UOM: 3 meter / length

FGRR-15X20P

Guide Rail Rectangular, 15mm x 20 mm – HDPE

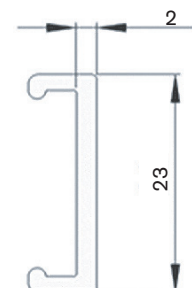
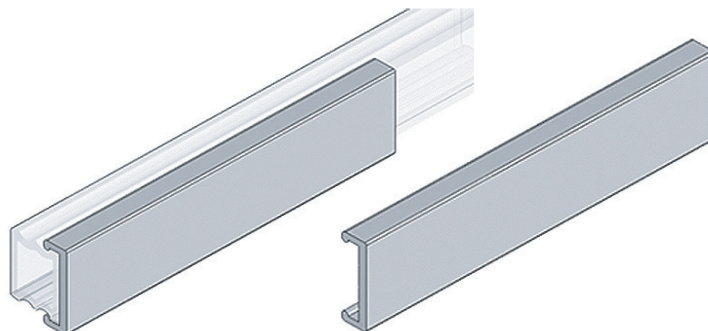


UOM: 3 meter / length

FGRT-3x23

Guide Rail Cover - HDPE

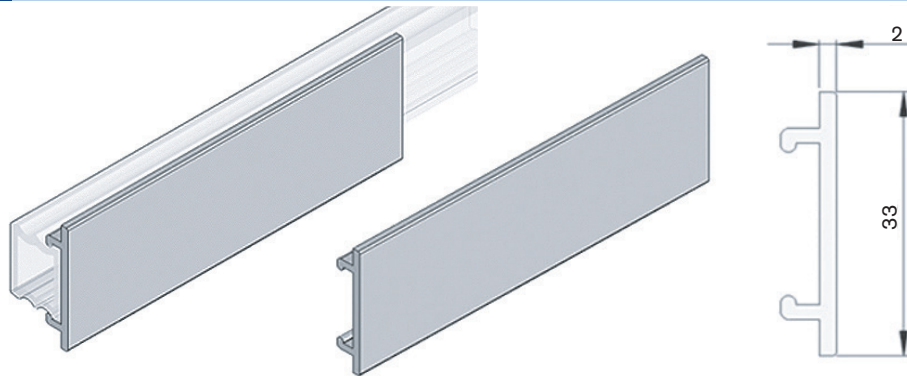
FGRT-3x23A



UOM: 3 meter / length

FGRT-3x33

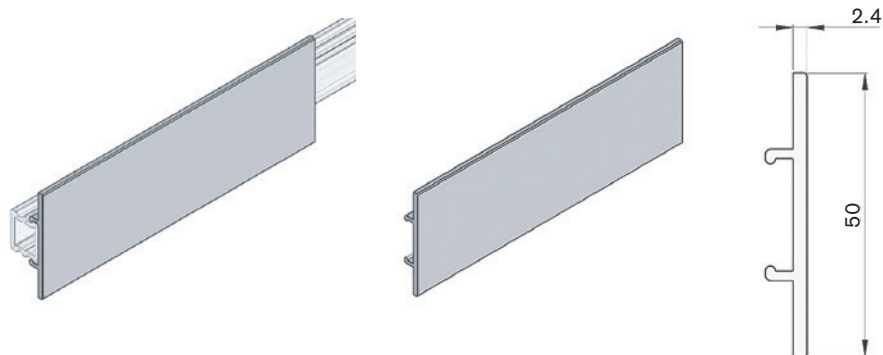
Guide Rail Cover - HDPE



UOM: 3 meter / length

FGRT-3x50

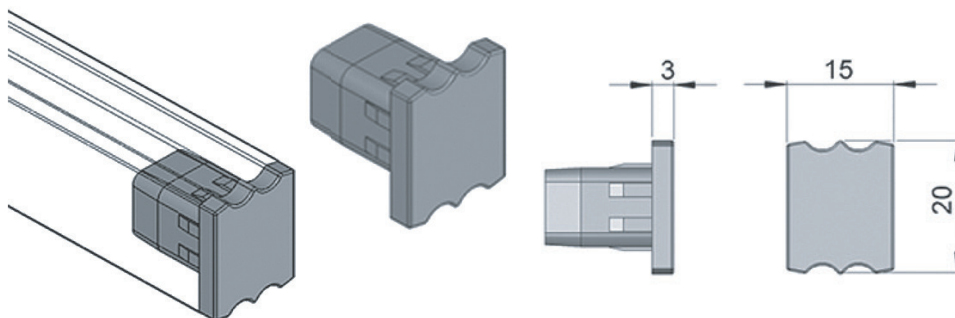
Guide Rail Cover - HDPE



UOM: 3 meter / length

FGEC-15x20

End Cap for FGRR-15x20 - Polyamide



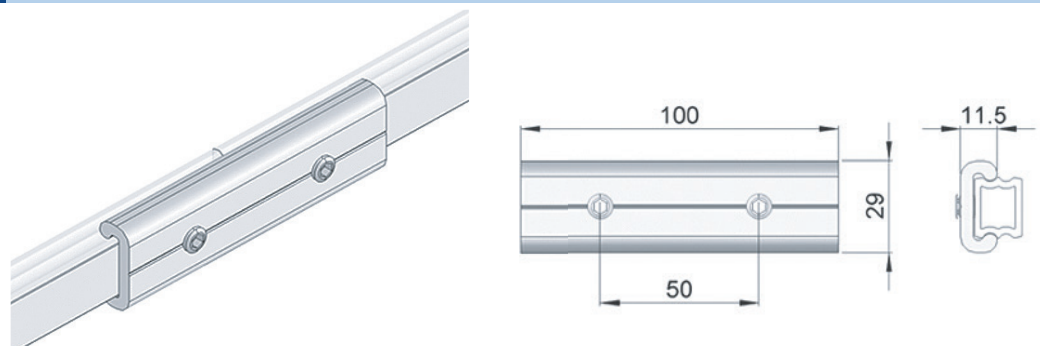
UOM: 10pcs / pk

FGRC-100

Rail Connecting - Aluminum L = 100 mm , B = 50 mm

FGRC-60

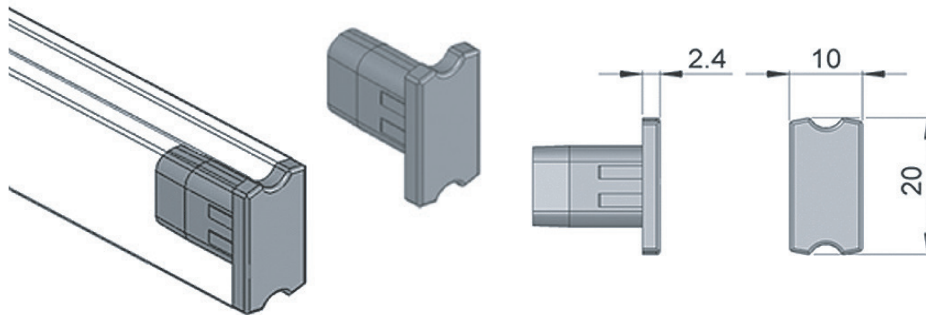
Rail Connecting - Aluminum L = 60 mm , B = 30 mm



UOM: 10pcs / pk

FGEC-10x20

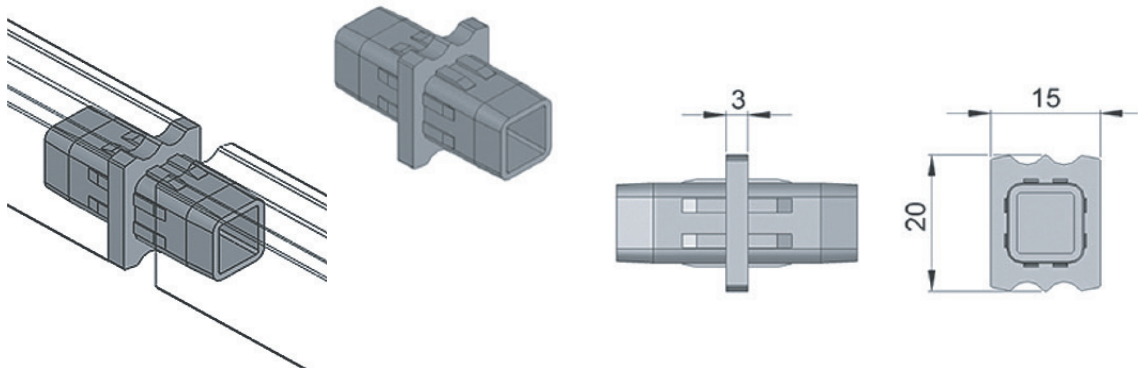
End Cap for FGRR-10x20 & FGRR10x20F - Polyamide



UOM: 10pcs / pk

FGRJ-15x20

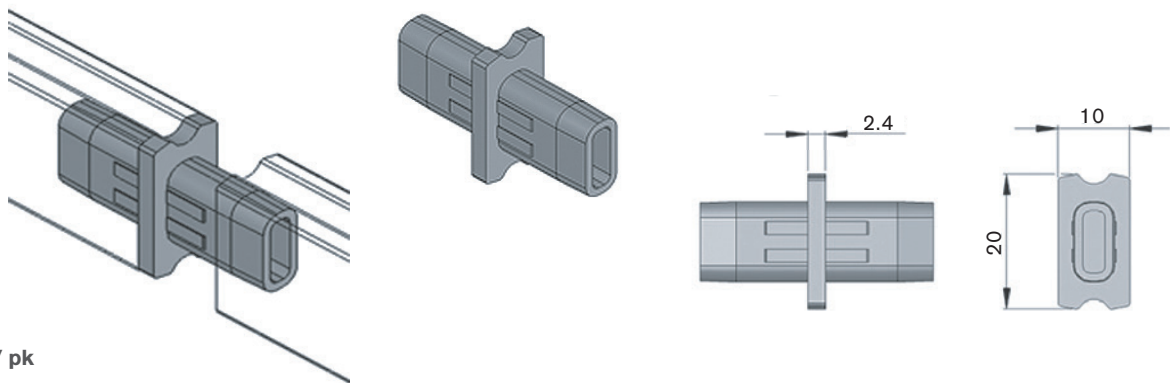
Connecting Plug for FGRR-15x20 - Polyamide



UOM: 10pcs / pk

FGRJ-10x20

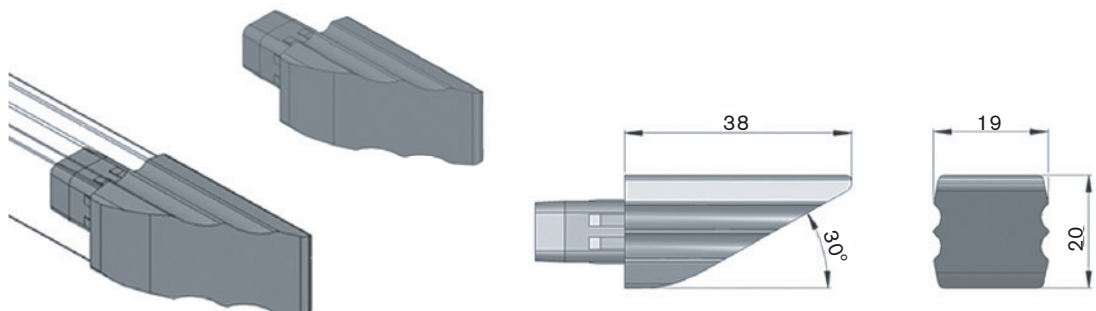
Connecting Plug for FGRR-10x20 & FGRR-10x20F - Polyamide



UOM: 10pcs / pk

FGEC-30D

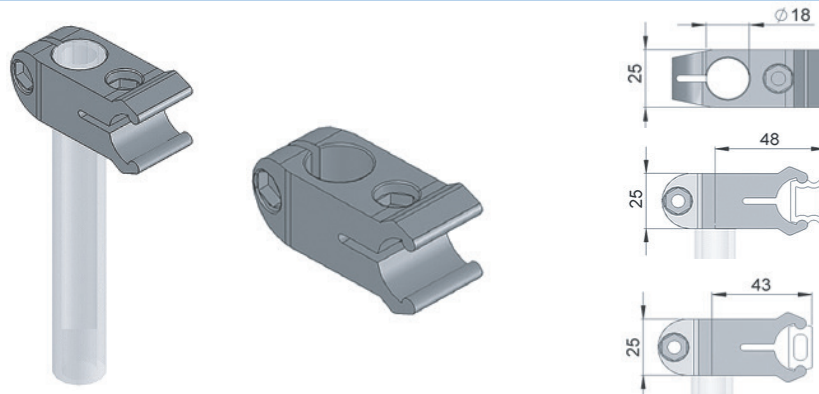
30° End Cap for FGRR-15x20 - Polyamide



UOM: 10pcs / pk

FGRS-18 Guide Rail Support - Polyamide

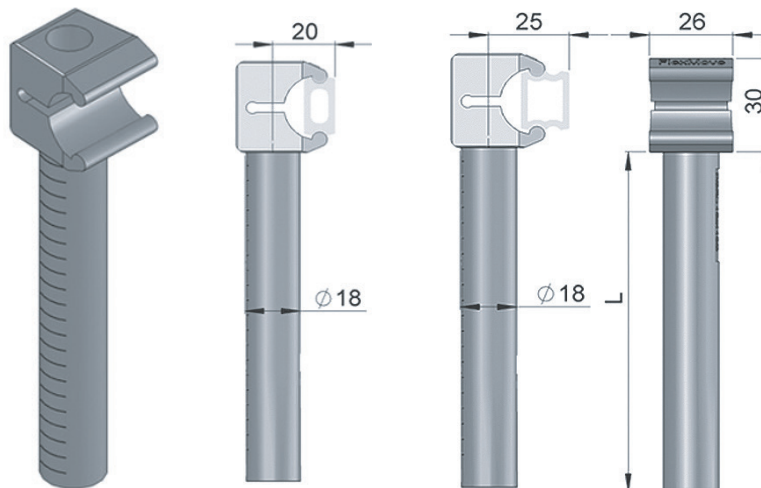
UOM: 10pcs / pk



FGRL-18x110C Guide Rail Support, L = 110 mm - Polyamide

FGRL-18x160C Guide Rail Support, L = 160 mm - Polyamide

UOM: 10pcs / pk



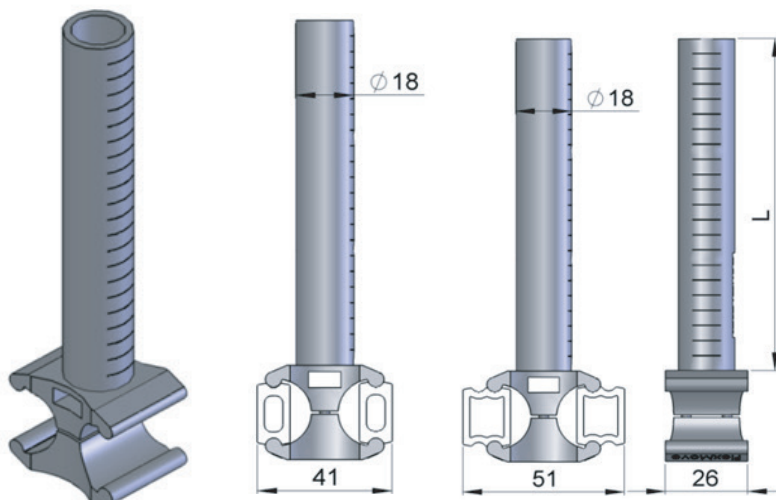
Note:
Plastic guide supports
used for light products.

To be used directly with guide rail
bracket support FGRF- 42 x 18V
or FGRB-18 x 20

FGRC-18x110C Double Guide Rail Support, L = 110 mm - Polyamide

FGRC-18x160C Double Guide Rail Support, L = 160 mm - Polyamide

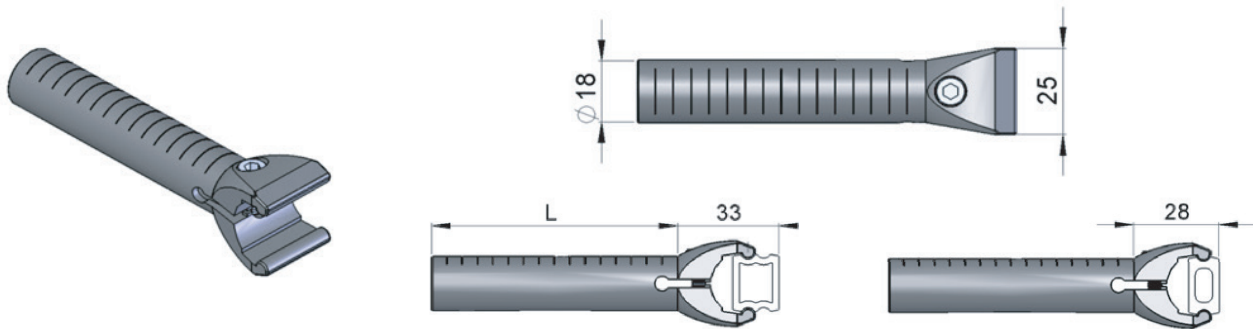
UOM: 10pcs / pk



Note:
Plastic guide supports
used for light products.

Suitable for use with cross
connector FGRB-18 x18 and
a crossing 18 mm aluminum
tube above the double track.

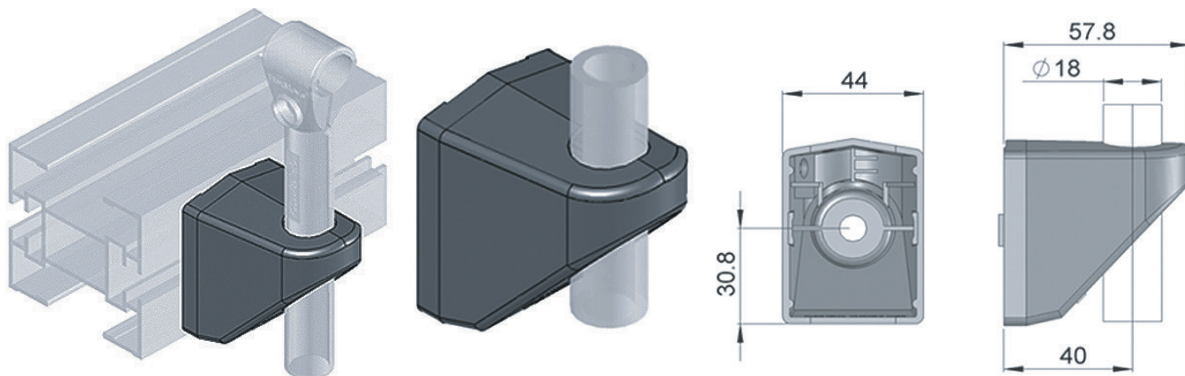
FGRK-18x40A	Guide Rail Support, L = 40 mm - Polyamide
FGRK-18x60A	Guide Rail Support, L = 60 mm - Polyamide
FGRK-18x80A	Guide Rail Support, L = 80 mm - Polyamide
FGRK-18x130A	Guide Rail Support, L = 130 mm - Polyamide



UOM: 10pcs / pk

Suitable for use with cross connector FGRB-18 x18 and FGFR – 42 x 18V

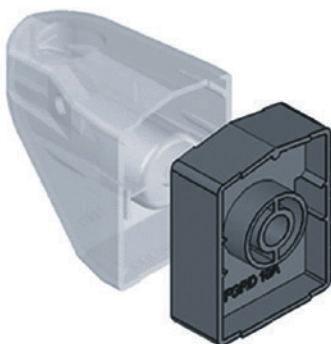
FGFR-42x18V	Guide Rail Bracket – Polyamide
--------------------	--------------------------------



UOM: 10pcs / pk

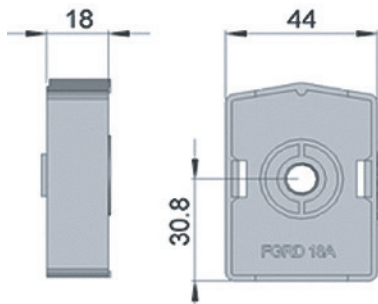
To be used with :

- FGGR - 18 x * 100 - FGRL - 18 x 110C / 160C - FGRC - 18 x 110C / 160C

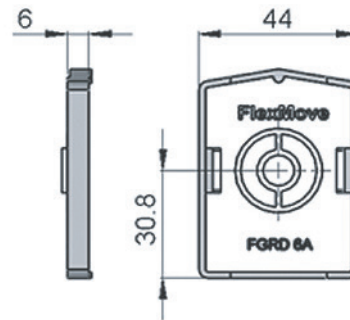


For use with guide rail bracket support FGFR -42 x 18V

FGRD-18A	Spacer for FGRF-42x18V - Polyamide	FGRD-6A	Spacer for FGRF-42x18V - Polyamide
-----------------	------------------------------------	----------------	------------------------------------

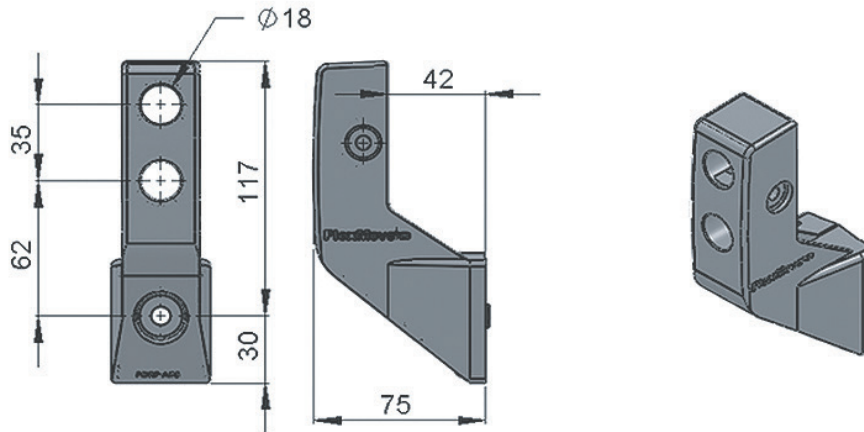


UOM: 10pcs / pk



UOM: 10pcs / pk

FGRF-A35	Guide Rail Bracket A35 – Polyamide
-----------------	------------------------------------

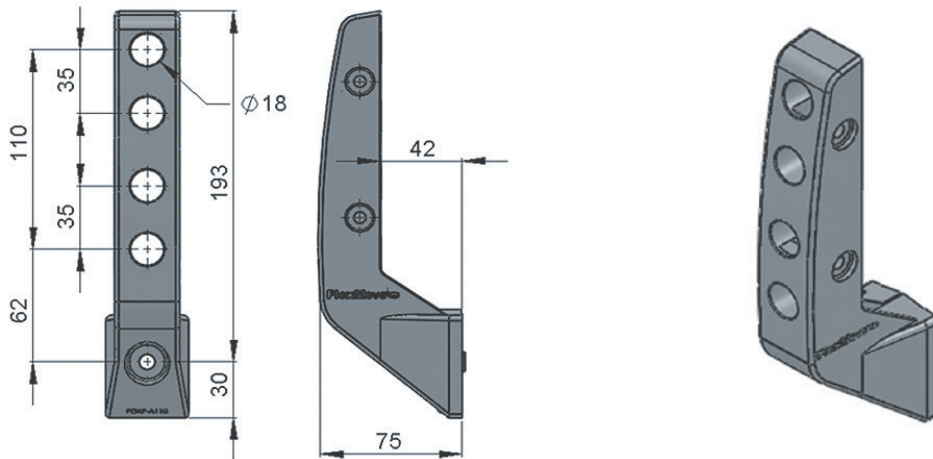


UOM: 10pcs / pk

To be used with guide rail support. For 1-2 guide rail levels.

FGRF-A110

Guide Rail Bracket A110 – Polyamide

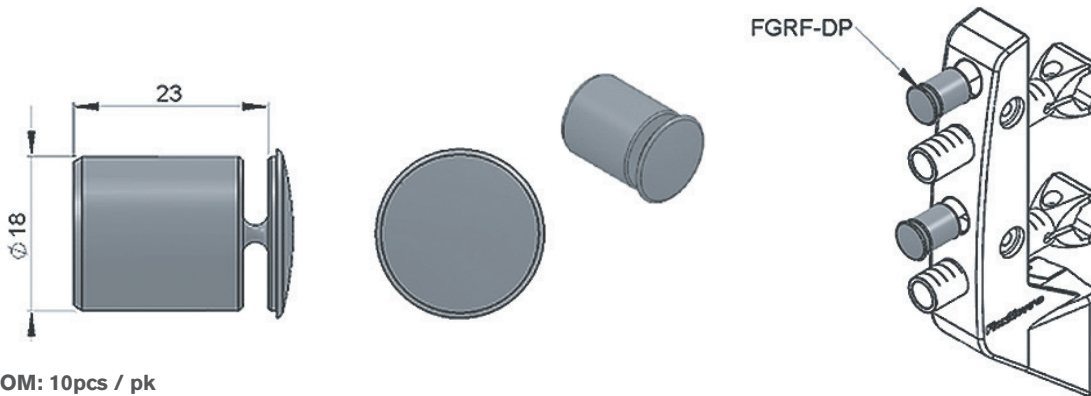


UOM: 10pcs / pk

To be used with guide rail support. For 1-4 guide rail levels.

FGRF-DP

FGRF Dummy Plug



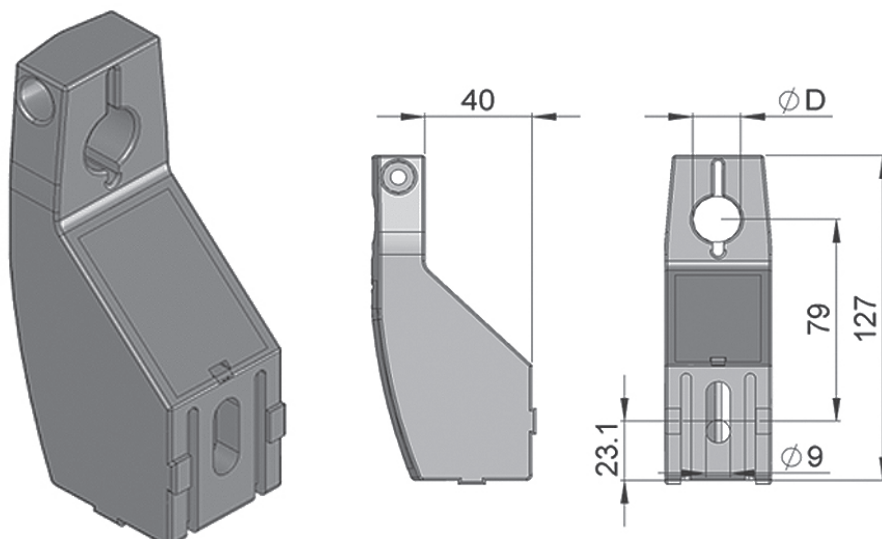
UOM: 10pcs / pk

FGRB-40x18

Guide Rail Bracket, D = 18 mm - Polyamide

FGRB-40x20

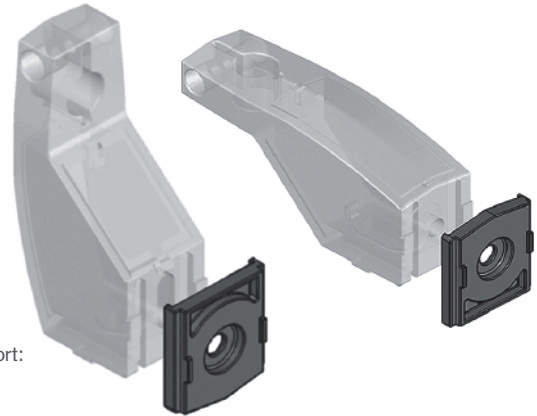
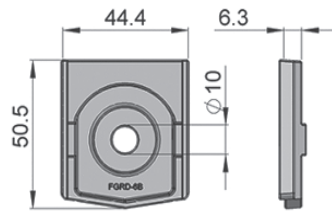
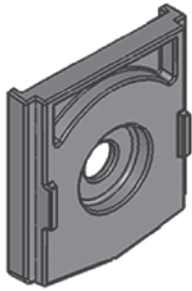
Guide Rail Bracket, D = 20 mm - Polyamide



UOM: 10pcs / pk

FGRD-6B

Spacer for FGRB-40x ## - Polyamide



UOM: 10pcs / pk

For use with guide rail bracket support:
FGRB - 40 x 18 / 20
FGRB - 40 x 15 x 20

FGRB-18x18

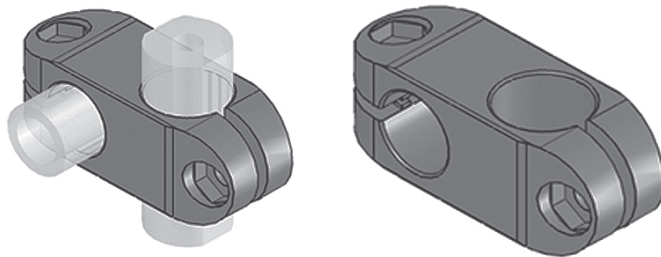
Guide Rail Bracket, $\phi A = 18$ mm, $\phi B = 18$ mm - Polyamide

FGRB-18x20

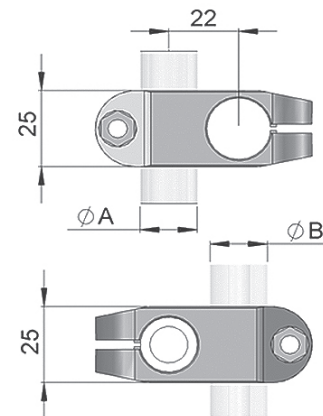
Guide Rail Bracket, $\phi A = 18$ mm, $\phi B = 20$ mm - Polyamide

FGRB-20x20

Guide Rail Bracket, $\phi A = 20$ mm, $\phi B = 20$ mm - Polyamide

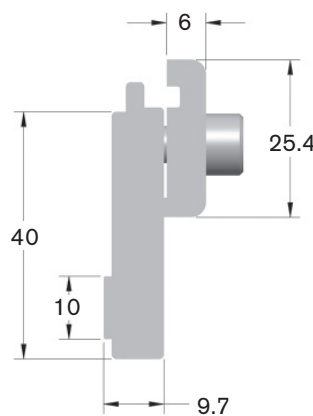
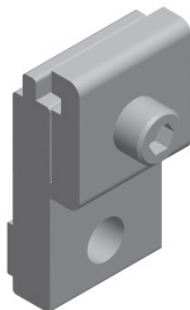


UOM: 10pcs / pk



FGRD-HS

High Side Guide Clip Assembly



UOM: 10pcs / pk

Mounting to Beam:
FATB-20(1)
FALN-M8(1)
FAFN-M8(1)

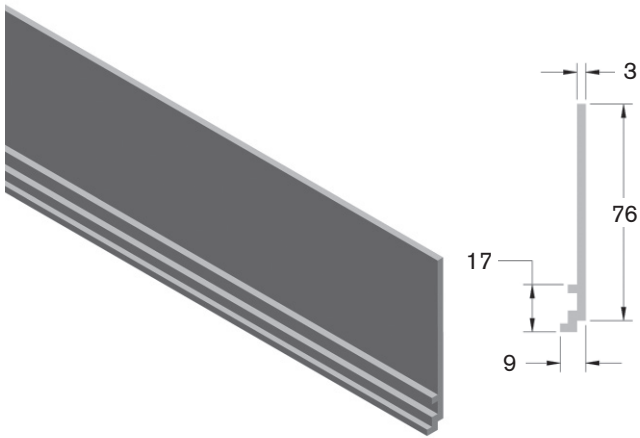
Available in North America only.

FGHS-70

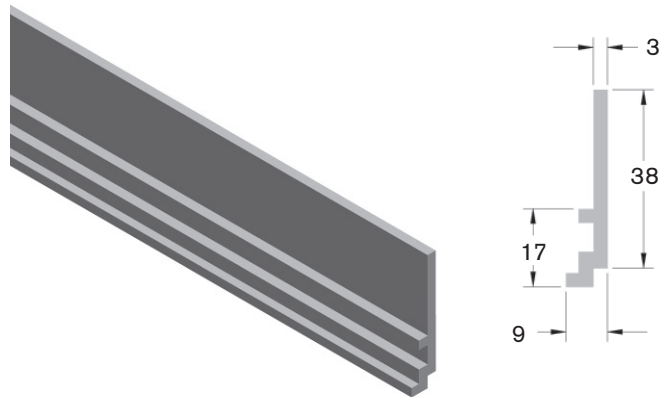
Guide Rail, 70 mm High Side - Aluminum

FGHS-30

Guide Rail, 30 mm High Side - Aluminum



UOM: 3 meter/length

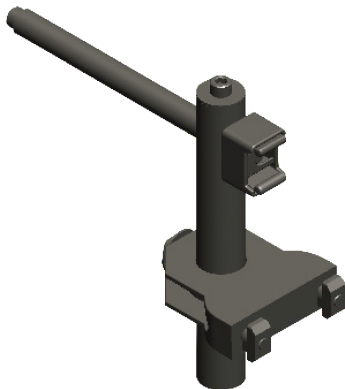


UOM: 3 meter/length

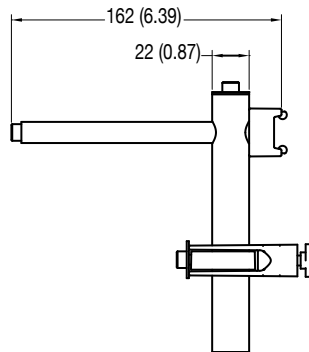
Available in North America only.

FGRA-22HD

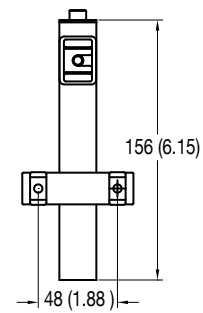
Guide Rail Support Assembly, Heavy Duty



UOM: pc

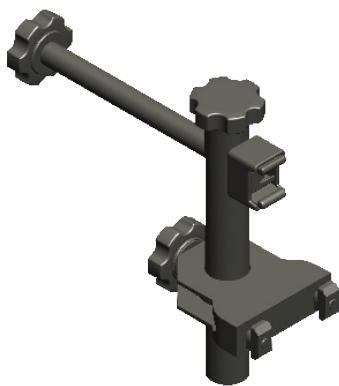


Mounting to Beam: Included

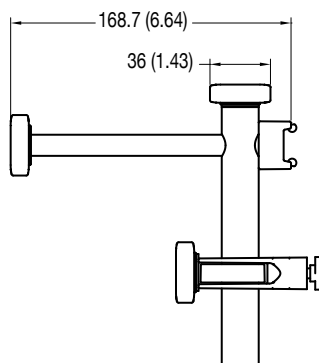


FGRA-22HDT

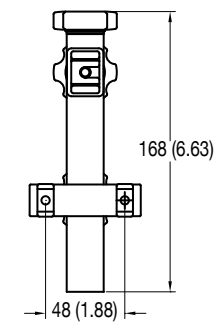
Guide Rail Support Assembly, Tool-less, Heavy Duty



UOM: pc

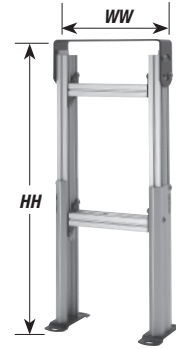


Mounting to Beam: Included



Pre-assembled Support Stands

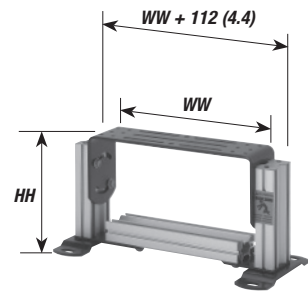
- Up to 457 mm height adjustment range
- Includes height indicator
- Full width is top plate on 305 mm wide stands only
- Angle Adjustable
- 305 mm wide stand for FX157 and FX304 conveyors. Requires FAHBS-60FX mounting brackets
- 458 mm and 608 mm wide stands for FX457 and FX609 conveyors. Requires FAHBS-80FX mounting brackets



Fixed Foot Model											
Stand Width (WW)	305 mm			51 mm increments up to...					608 mm		
Part # Reference	12			in 02 increments up to...					24		
Stand Height (HH) Belt	305-330 mm	330-381 mm	356-432 mm	406-660 mm	483-686 mm	610-914 mm	762-1,219 mm	1,067-1,524 mm*	1,372-1,829 mm*	1,676-2,134 mm*	1,981-2,438 mm*
Part # Reference Belt	1213	1315	1417	1621	1926	2436	3048	4260	5472	6684	7896

Short Support Stands

- For top belt heights below 508 mm
- Full width is top plate on 305 mm wide stands only
- 305 mm wide stand for FX157 and FX304 conveyors. Requires FAHBS-60FX mounting brackets
- 458 mm and 608 mm wide stands for FX457 and FX609 conveyors. Requires FAHBS-80FX mounting brackets



Fixed Foot Model			
Stand Width (WW)	305 mm	51 mm increments up to...	608 mm
Part # Reference	12	in 02 increments up to...	24
Stand Height (HH)* Belt	152 - 203 mm	in 25 mm increments up to...	305 - 356 mm
Part # Reference Belt	0608	in 0101 increments up to...	1214

Support Stands										
3	9	M	T	T	W	W	-	HH (min)	HH (max)	F
			Width Reference			Height Reference		Feet: F = fixed foot pad		
			Stand Type:							
			LH = short stand							
			AT = tall adjustable*							
			AH = adjustable height							
			Documentation Language: M = US							
EXAMPLE: 39MAH12-2126F										

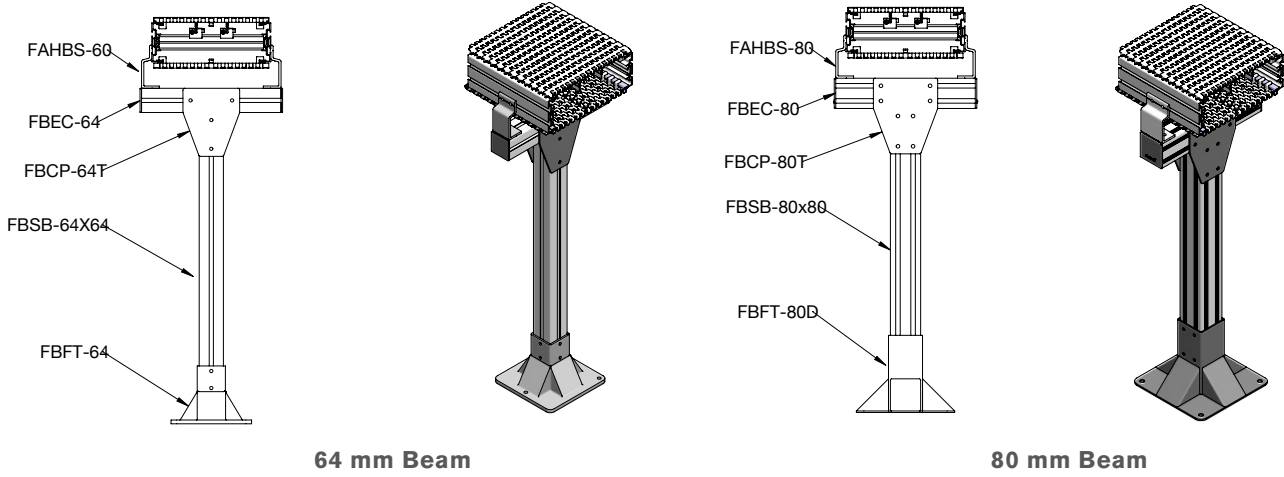
Note: Due to the wide variety of conveyor and stand options along with possible configurations, stability is final setup of the responsibility of the end user.
 *Tall stands are required when the stand width is 3.5 times the stand height.

Note: Due to the wide variety of conveyor and stand options along with possible configurations, stability of the final setup is the responsibility of the end user.

Customer Assembled Support Stands

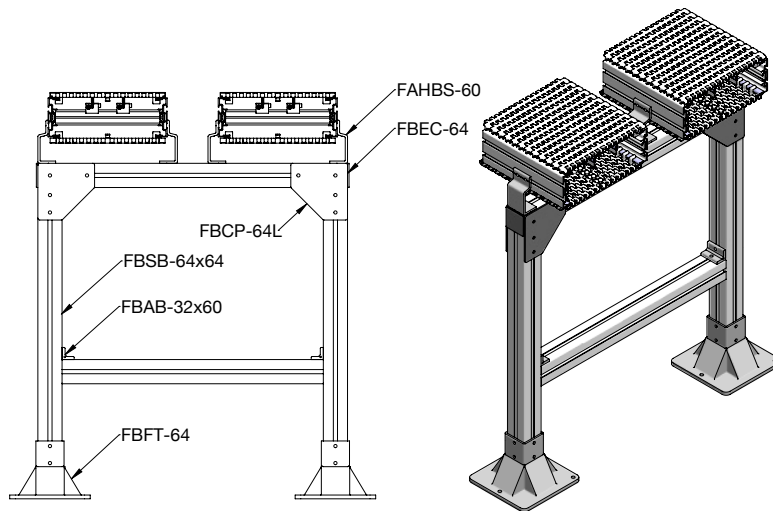
Single Support Structure

FX-152, 304, 457, 609



Dual Support Structure

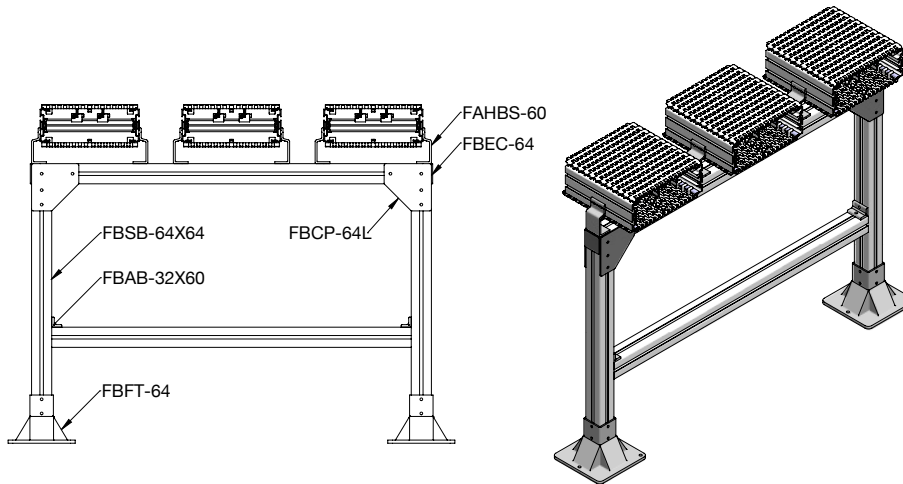
FX-152, 304, 457, 609



Customer Assembled Support Stands

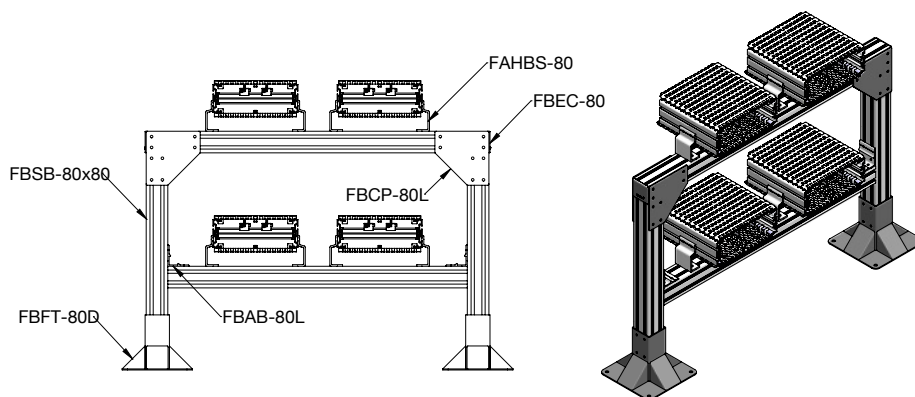
Multi-Lane Support Structure

FX-152, 304, 457, 609



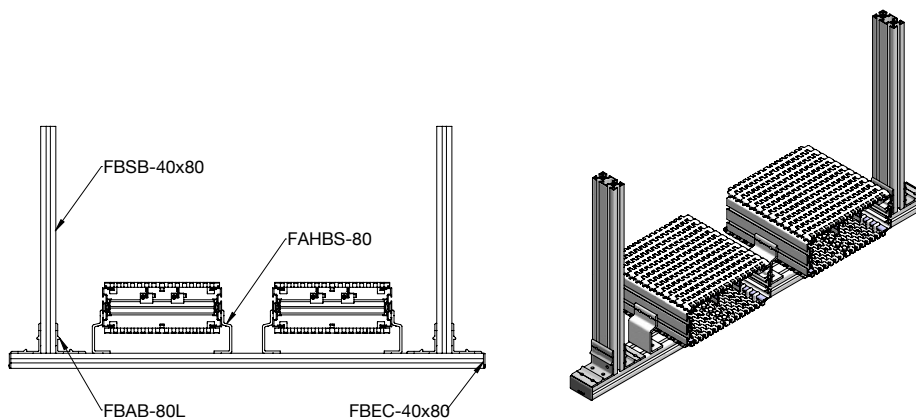
Multi-Lane Double Layer Support Structure

FX-152, 304, 457, 609



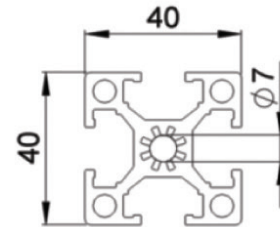
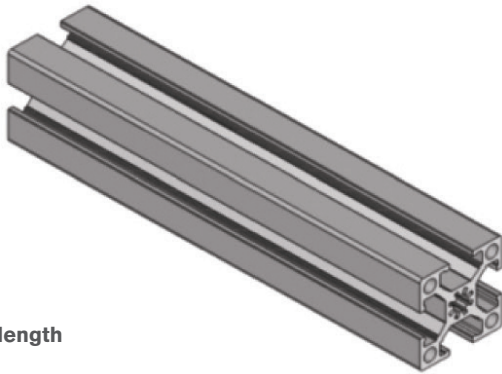
Ceiling Hanger Support Structure

FX-152, 304, 457, 609



FBSB-40x40

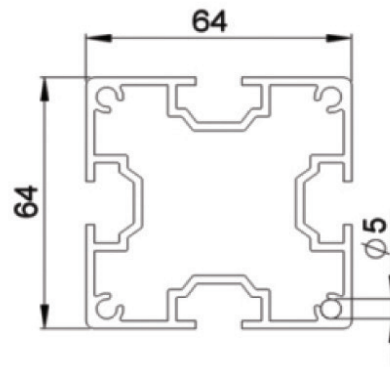
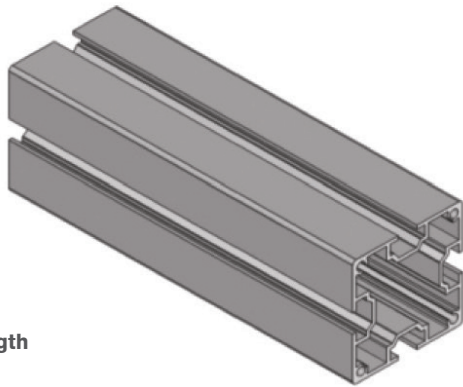
Support Beam 40x40 – Aluminum Anodized



UOM: 3 meter / length

FBSB-64x64

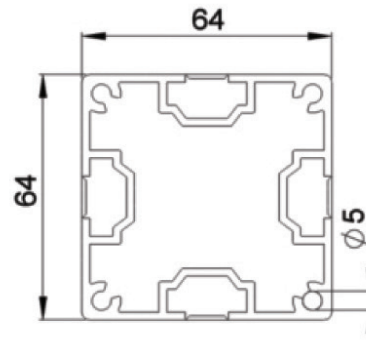
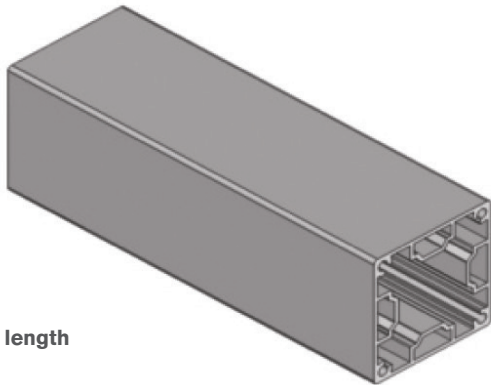
Support Beam 64x64 – Aluminum Anodized



UOM: 3 meter / length

FBSB-64x64C

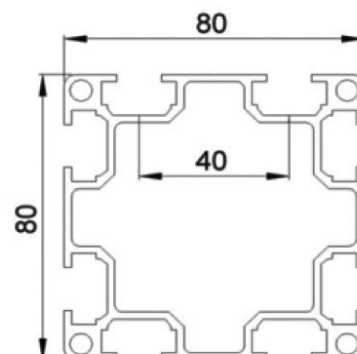
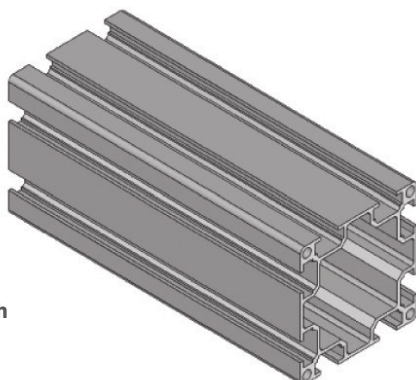
Close slot Support Beam – Aluminum Anodized



UOM: 3 meter / length

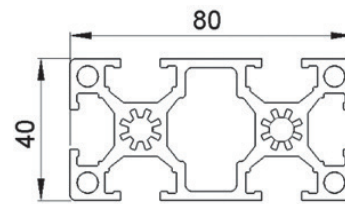
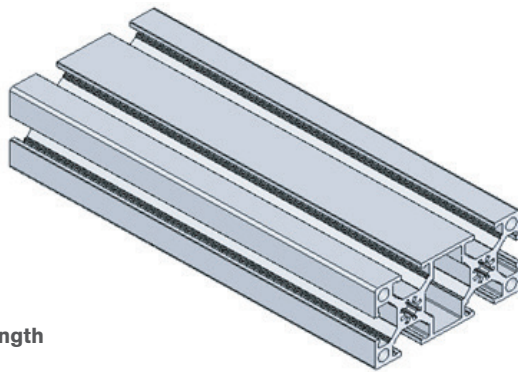
FBSB-80x80

Support Beam 80x80 – Aluminum Anodized



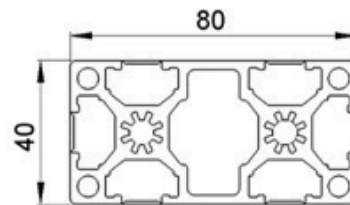
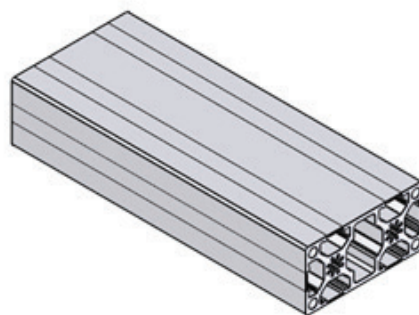
UOM: 3 meter / length

FBSB-40x80 Support Beam – Aluminum Anodized



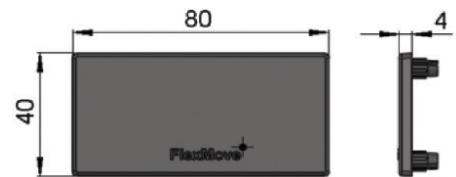
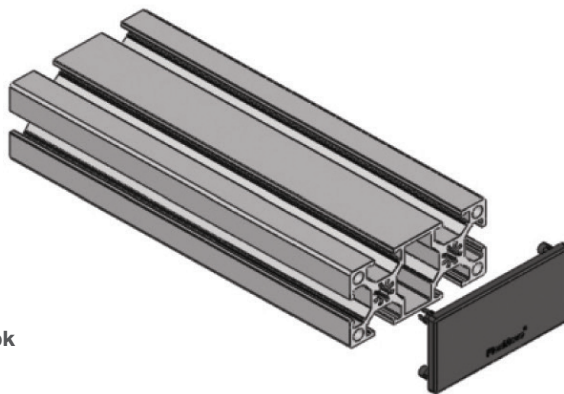
UOM: 3 meter / length

FBSB-40x80C Close Slot Support Beam - Aluminum Anodized



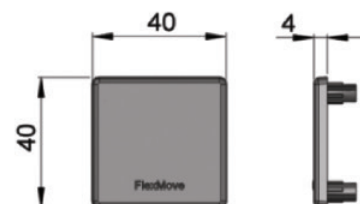
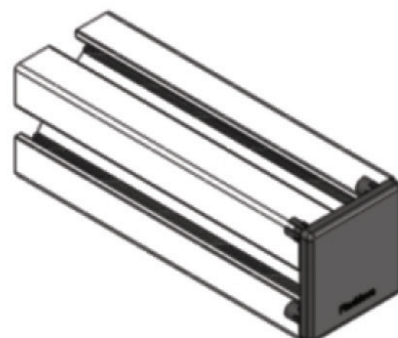
UOM: 3 meter / length

FBEC-40x80 End Cap. 40x80 mm Support Beam - Polyamide



UOM: 10 pcs / pk

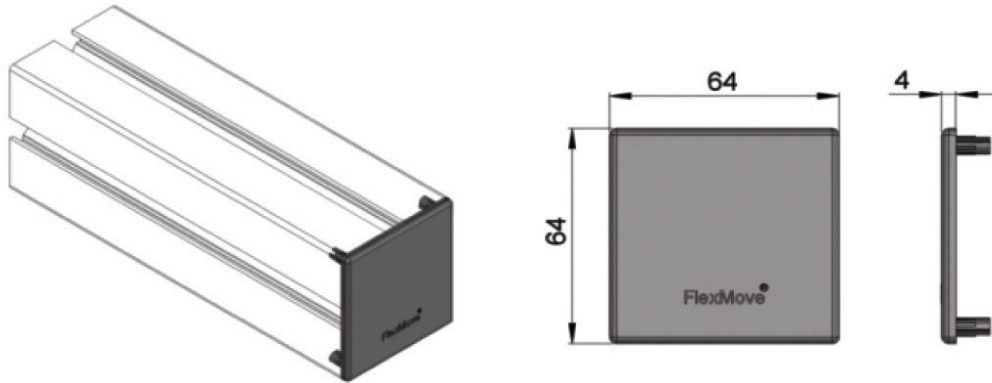
FBEC-40 End Cap , 40x40 mm Support Beam - Polyamide



UOM: 10 pcs / pk

FBEC-64

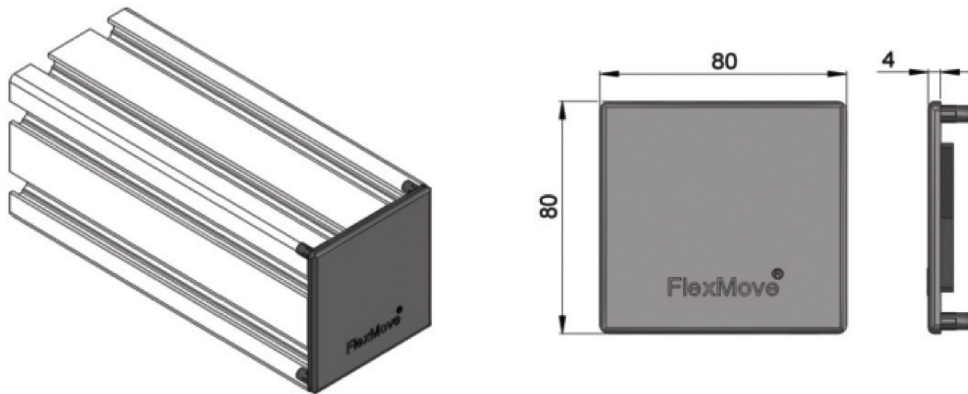
End cap , 64x64mm Support Beam - Polyamide



UOM: 10 pcs / pk

FBEC-80

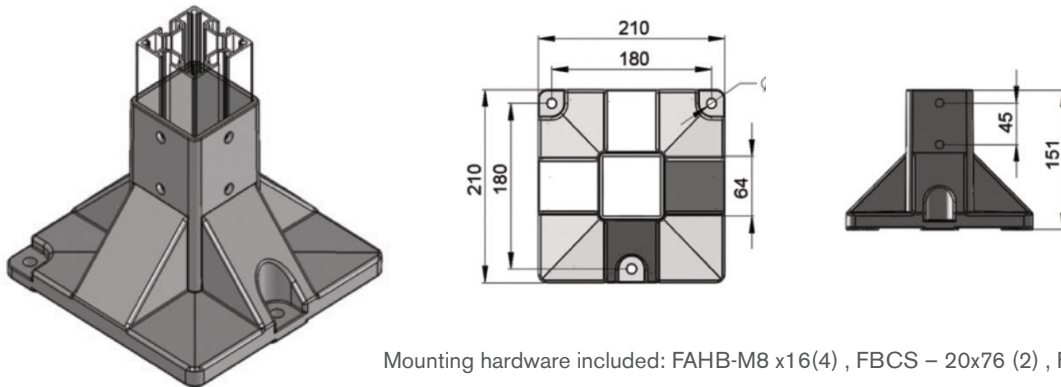
End cap , 80x80 mm Support Beam - Polyamide



UOM: 10 pcs / pk

FBFT-64

Foot For Support Beam 64x64 – Aluminum Die Cast

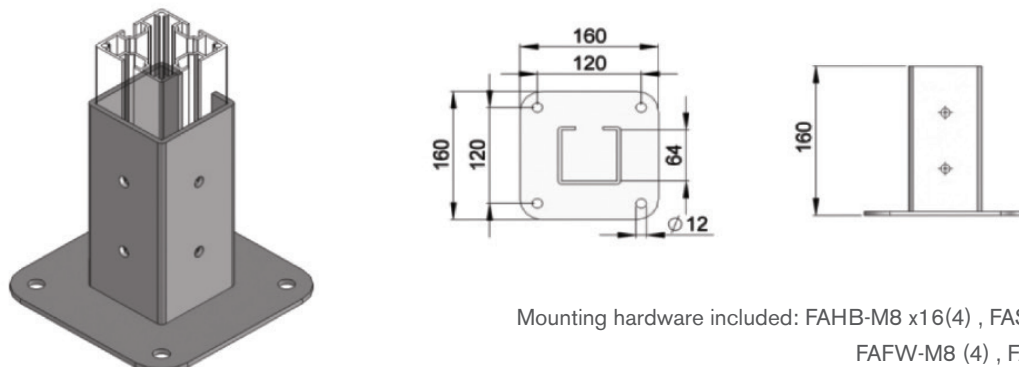


UOM: pc

Mounting hardware included: FAHB-M8 x16(4) , FBSC – 20x76 (2) , FAFW-M8 (4)

FBFT-64A

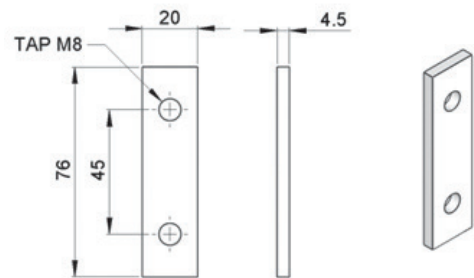
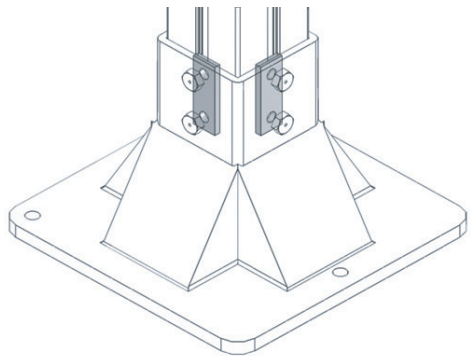
Foot For Support Beam 64x64 – Steel, Powder Coating



UOM: pc

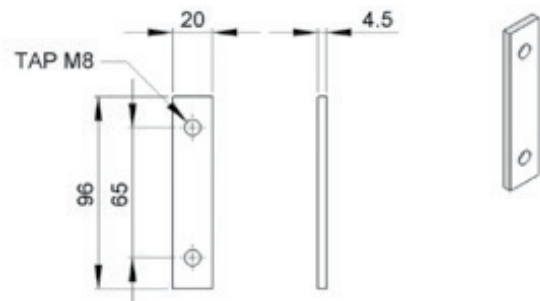
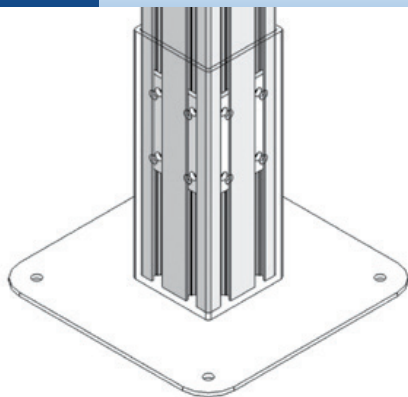
Mounting hardware included: FAHB-M8 x16(4) , FASN – M8 (4) , FAFW-M8 (4) , FAWP-M10(4)

FBCS-20x76 Connecting Strip For Foot – Steel, Electro Zinc Plated



UOM: 10pcs / pk

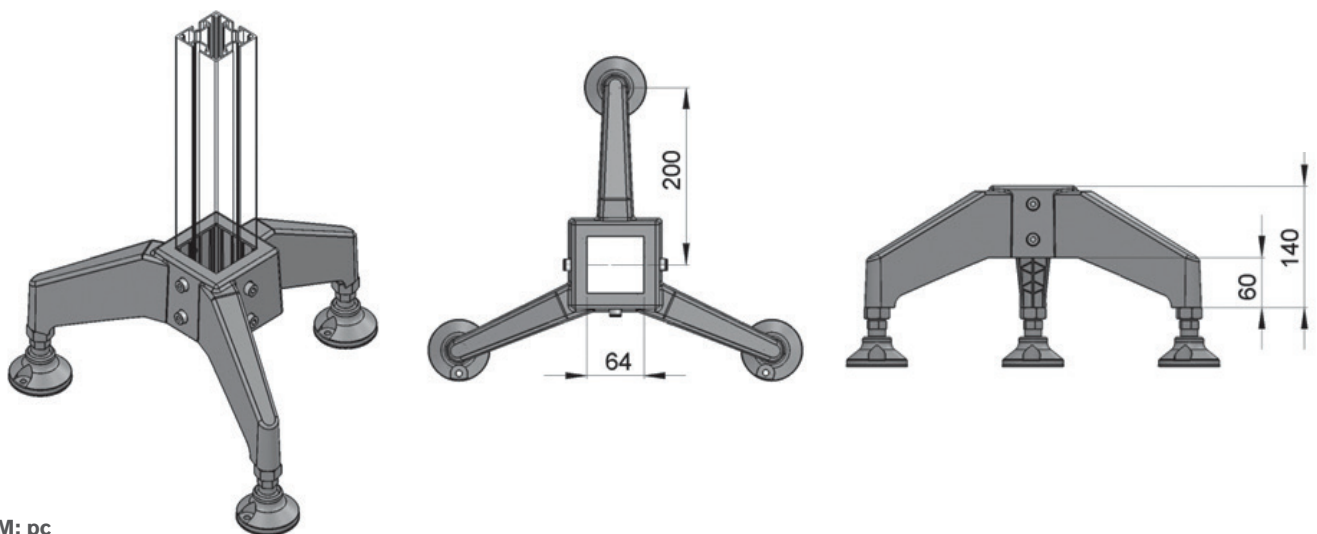
FBCS-20x96 Connecting Strip For Foot 80x80 mm– Steel, Electro Zinc Plated



UOM: pc

FBFT-64TP Tripod Foot For FBSB-64x64 - Polyamide , Glass Fiber reinforced

Plastic Pad, screws and clamps included



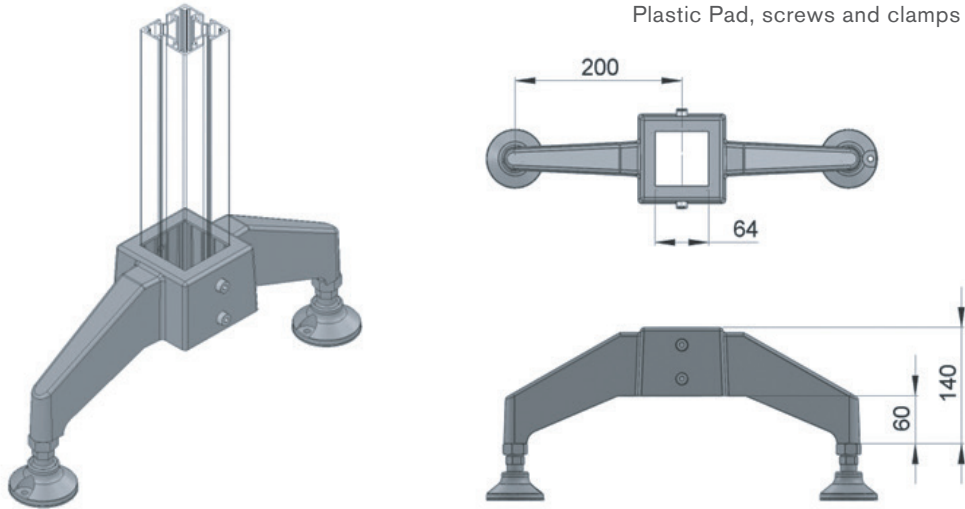
UOM: pc

FBFT-64BP

Bipod Foot For FBSB-64x64 - Polyamide , Glass Fiber reinforced

Plastic Pad, screws and clamps included

UOM: pc

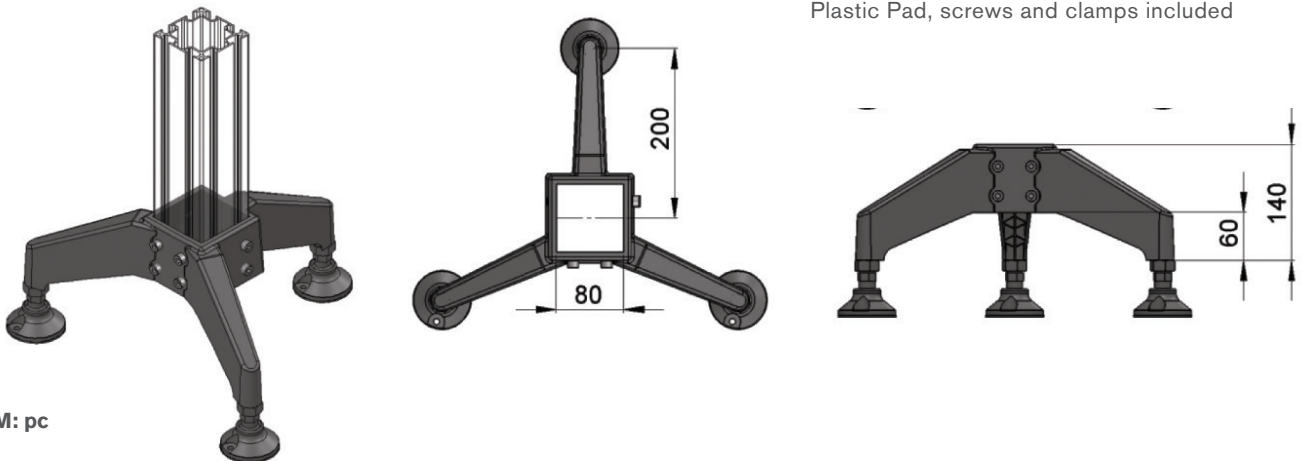


FBFT-80TP

Tripod Foot For FBSB-80x80 - Polyamide, Glass Fiber reinforced

Plastic Pad, screws and clamps included

UOM: pc

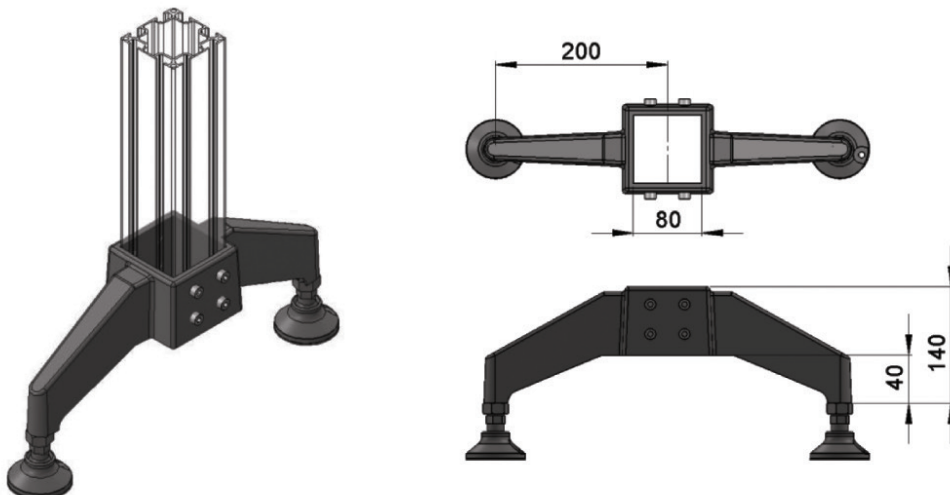


FBFT-80BP

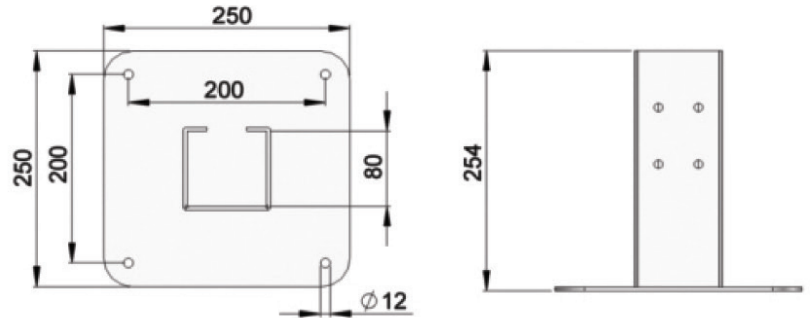
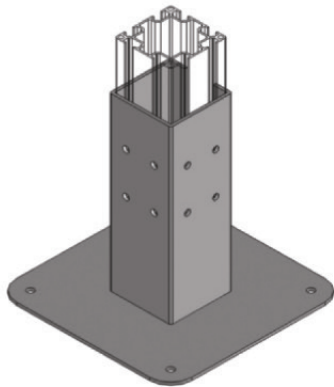
Bipod Foot For FBSB-80x80 - Polyamide , Glass Fiber reinforced

Plastic Pad, screws and clamps included

UOM: pc



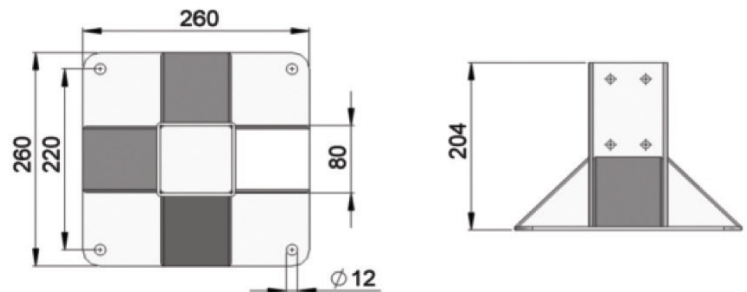
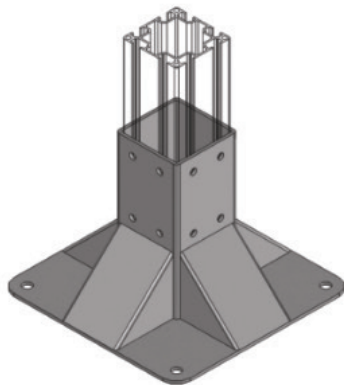
FBFT-80B Foot For Support Beam 80x80 – Steel, Powder Coating



UOM: pc

Mounting hardware included: FAHB-M8 x16(8), FBCS – 20 x 96 (4), FAFW-M8 (8), FAWP-M10(4)

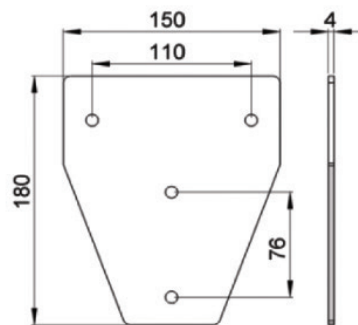
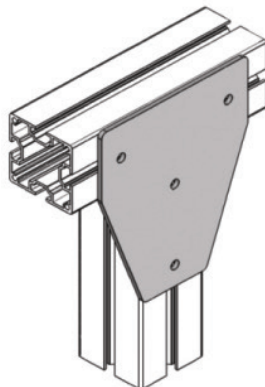
FBFT-80D Foot For Support Beam 80x80 – Steel, Powder Coating



UOM: pc

Mounting: FAHB-M8 x16(8), FBCS – 20 x 96 (4), FAFW-M8 (8), FAWP-M10 (4)

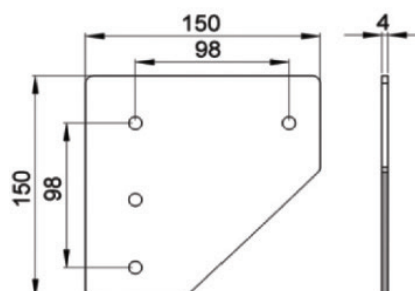
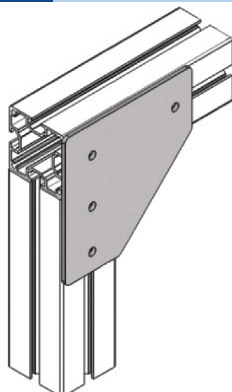
FBCP-64T T connecting Plate for Support Beam 64x64 – Steel, Zinc Plated



UOM: pc

Mounting: FAHB-M8 x16(4), FASN-M8 (4), FAFW-M8 (4)

FBCP-64L L Connecting Plate for Support Beam 64x64- Steel, Zinc Plated

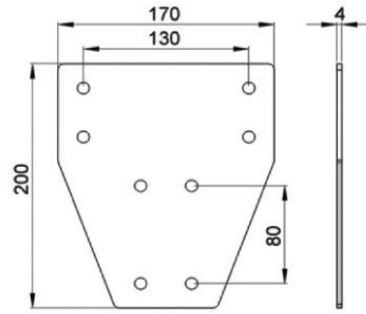
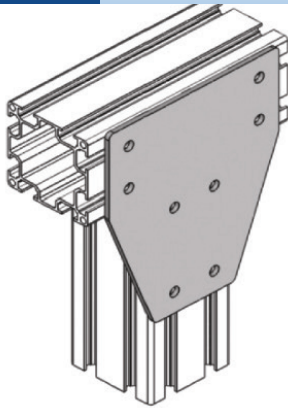


UOM: pc

Mounting: FAHB-M8 x16(4), FASN-M8 (4), FAFW-M8 (4)

FBCP-80T

T connecting Plate for Support Beam 80x80 – Steel, Zinc Plated

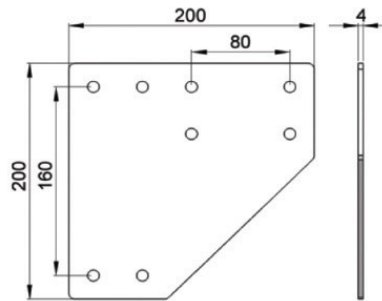
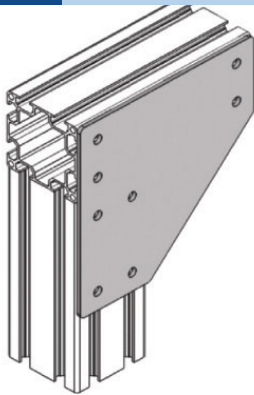


Mounting: FAHB-M8 x16(8) , FASN-M8 (8) , FAFW-M8 (8)

UOM: pc

FBCP-80L

L Connecting Plate for Support Beam 80x80- Steel, Zinc Plated

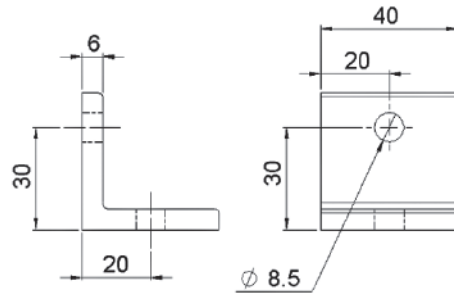
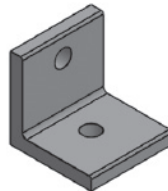
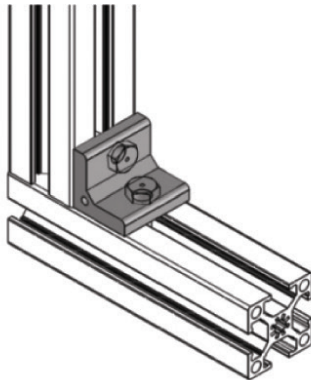


Mounting: FAHB-M8 x16(8) , FASN-M8 (8) , FAFW-M8 (8)

UOM: pc

FBAB-40x40

Angle Bracket for Support Beam 40x40 - Aluminum

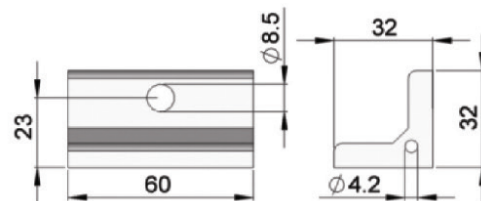
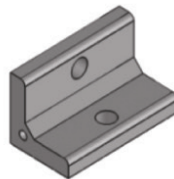
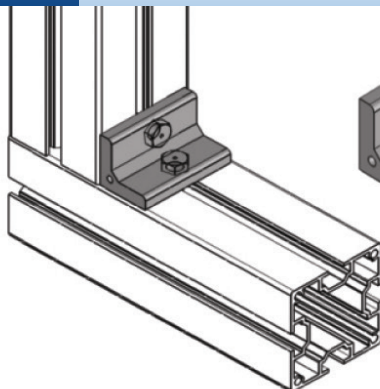


Mounting: FAHB-M8 x20(2) , FASN-M8 (2) , FAFW-M8 (2)

UOM: pc

FBAB-32x60

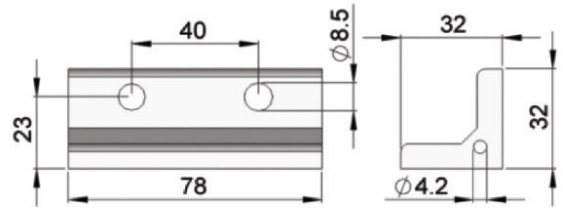
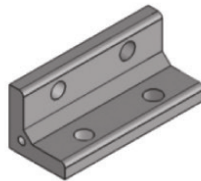
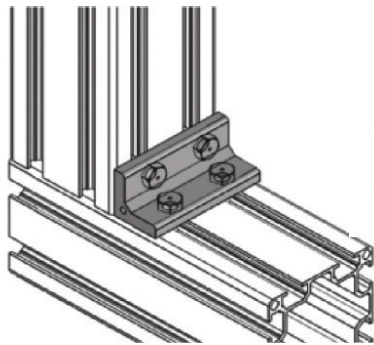
Angle Bracket for Support Beam 64x64 - Aluminum



Mounting: FAHB-M8 x20 (2) , FASN-M8 (2) , FAFW-M8 (2)

UOM: pc

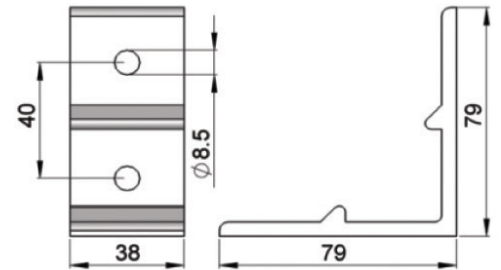
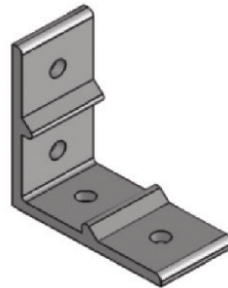
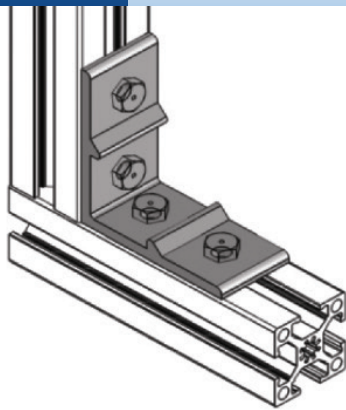
FBAB-32x80 Angle Bracket for Support Beam 80x80 - Aluminum



UOM: pc

Mounting: FAHB-M8 x20 (4) , FASN-M8 (4) , FAFW-M8 (4)

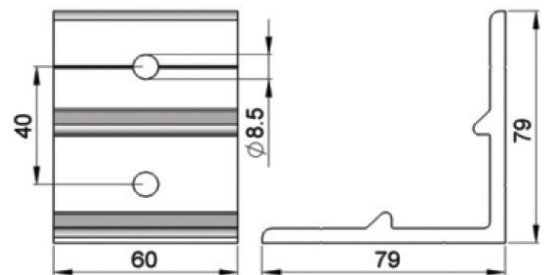
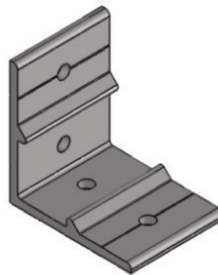
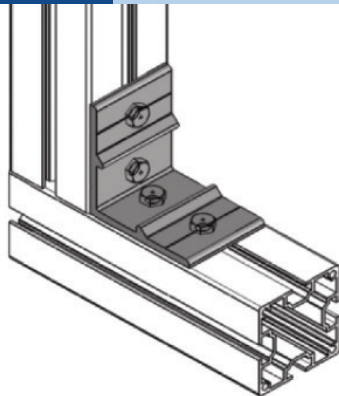
FBAB-40L Angle Bracket for Support Beam 40x40 - Aluminum



UOM: pc

Mounting: FAHB-M8 x 16 (4) , FASN-M8 (4) , FAFW-M8 (4)

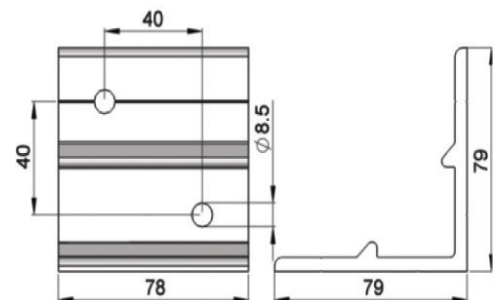
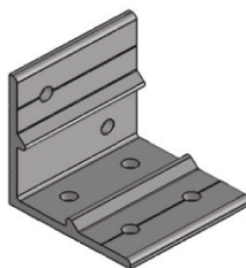
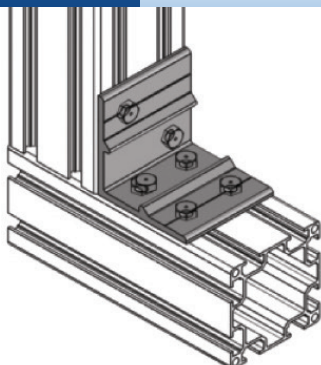
FBAB-60L Angle Bracket for Support Beam 64x64 - Aluminum



UOM: pc

Mounting: FAHB-M8 x 16 (4) , FASN-M8 (4) , FAFW-M8 (4)

FBAB-80L Angle Bracket for Support Beam 80x80 - Aluminum

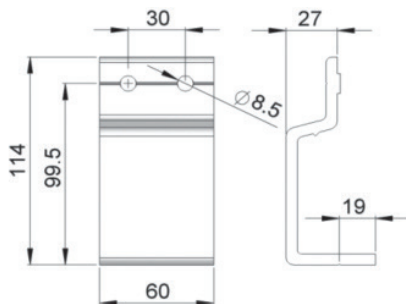
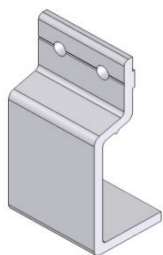
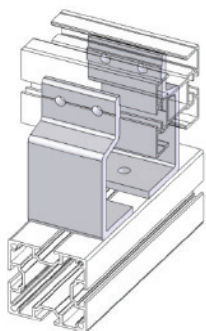


UOM: pc

Mounting: FAHB-M8 x 16 (6) , FASN-M8 (6) , FAFW-M8 (6)

FAHBS-60FX

Horizontal beam support bracket - Aluminum



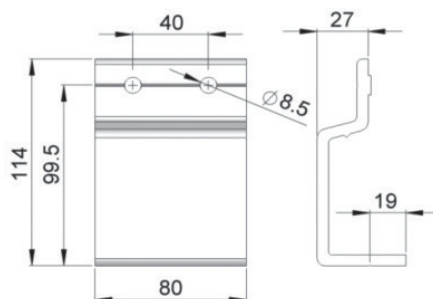
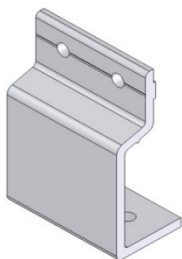
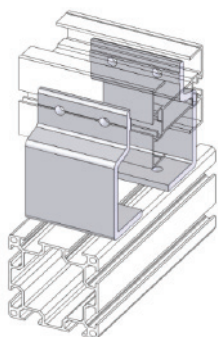
UOM: pc
For 64 mm horizontal crossing support beam

Mounting: FATB-20(2), FALN-M8(2), FAHB-M8 x16(1), FASN-M8(1), FAFW-M8 (3)

Compatible with 60 mm beam and 305 mm wide adjustable height support stand

FAHBS-80FX

Horizontal beam support bracket - Aluminum



UOM: pc
For 80 mm horizontal crossing support beam

Mounting: FATB-20(2), FALN-M8(2), FAHB-M8 x16(2), FASN-M8(2), FAFW-M8 (4)

Compatible with 80 mm beam and adjustable height support stand

FASR-25U

UHMW-PE slide rail - White

"Low Friction, suitable for accumulation"

FASR-25X

Special PE slide rail - Blue

"Lowest Friction, suitable for accumulation"

FASR-25T

PAPE slide rail - Grey

"High abrasive and High load"

FASR-25CD

Conductive slide rail - Black

"Static conductive"

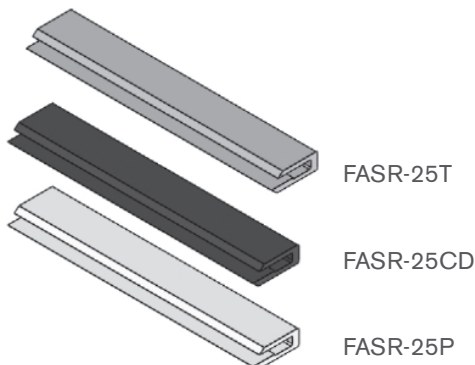
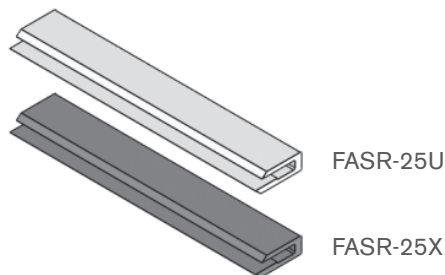
FASR-25P

PVDF slide rail - White

"For Abrasive application"



See page 220 for detail slide rail information

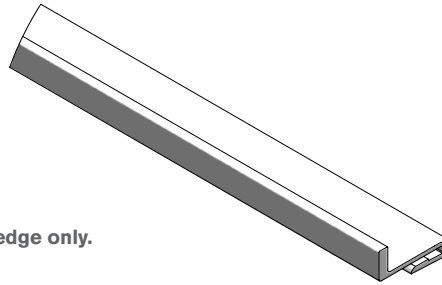
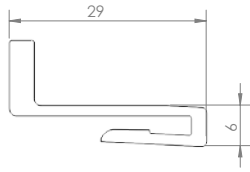


UOM: 25meter / roll

FASR-3E

HDPE slide rail - White

Normal Application

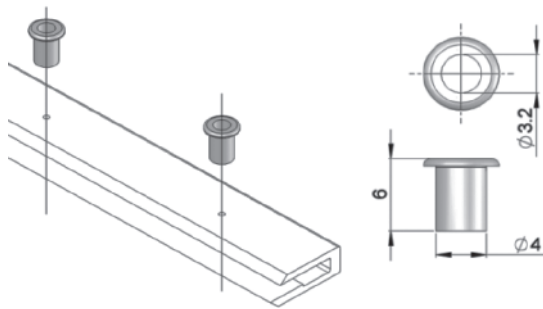


Used on outside edge only.

UOM: 3 meter / length

FASLR-4x6

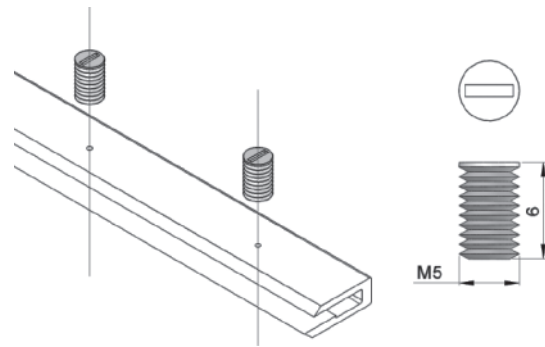
Aluminum rivet for slide Rail



UOM: 50pcs / pk

FASLS-M5

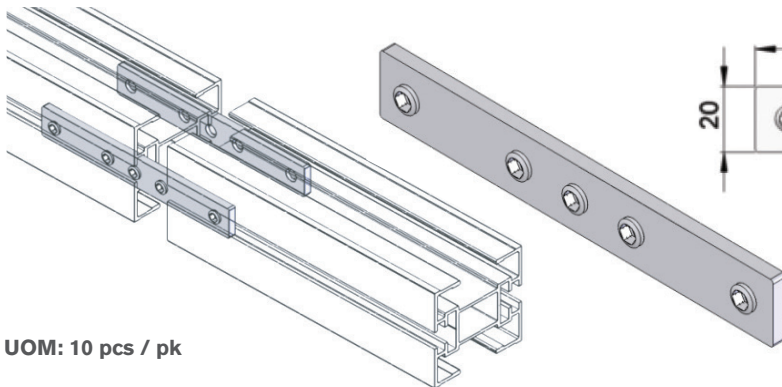
Nylon Set screw for slide rail



UOM: 50pcs / pk

FACS-20x140

Connecting strip - Steel, electro zinc plated

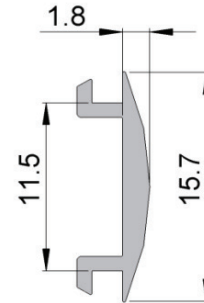
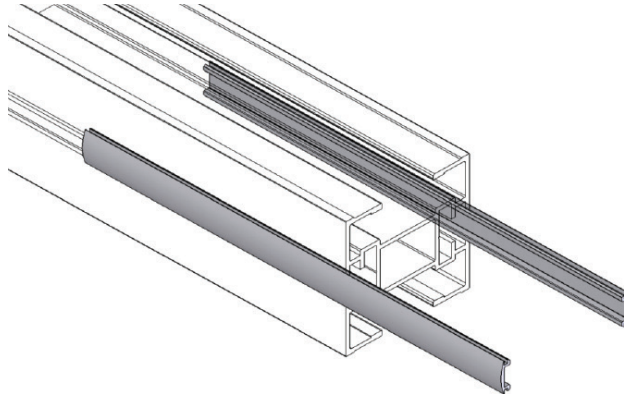


UOM: 10 pcs / pk

Suitable for FK and FX Series Only

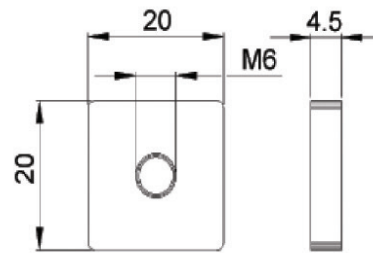
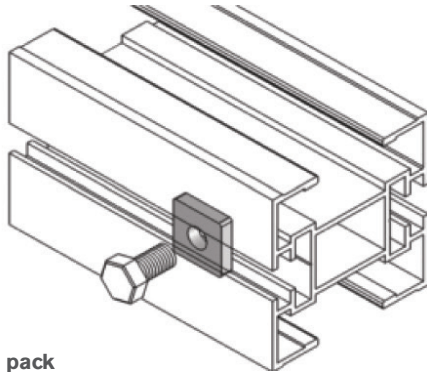
FASC-25 T-Slot Cover – Soft PVC (25 meter / Roll)

FASC-3P T-Slot Cover – Rigid PVC (3 meter / Roll)



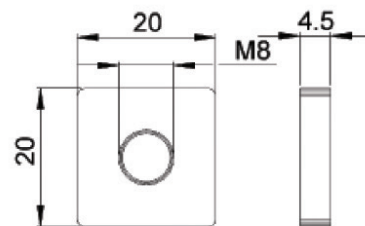
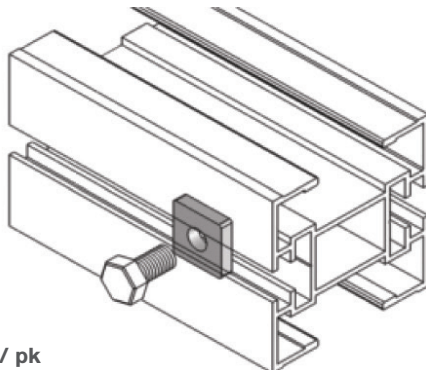
UOM: 25 meter / roll

FASN-M6 M6 Square Nut for Outer Slot – Steel, electro zinc plated



UOM: 50 pcs / pack

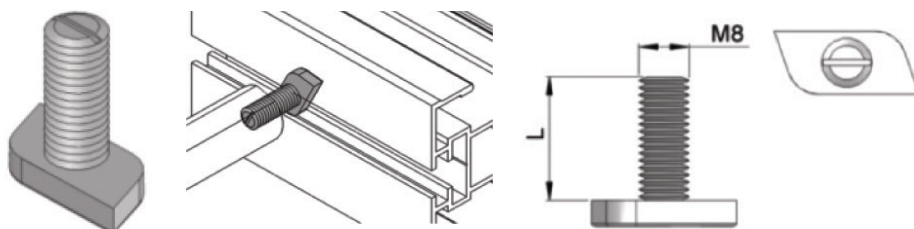
FASN-M8 M8 Square Nut for Inner Slot – Steel, electro zinc plated



UOM: 50 pcs / pk

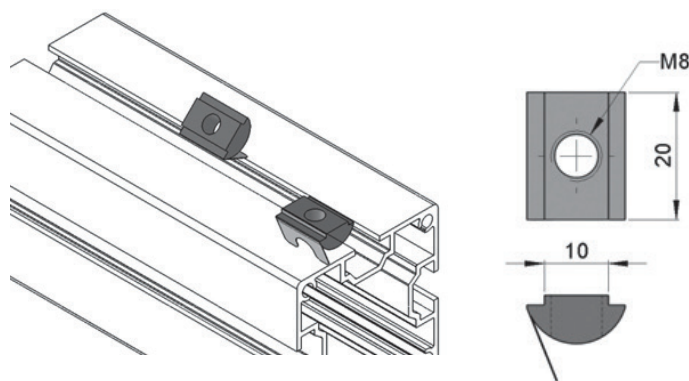
FATB-20	T-bolt, L = 20 – Steel, zinc plated
FATB-35	T-bolt, L = 35 – Steel, zinc plated
FATB-53	T-bolt, L = 53 – Steel, zinc plated
FATB-71	T-bolt, L = 71 – Steel, zinc plated

UOM: 50 pcs / pk



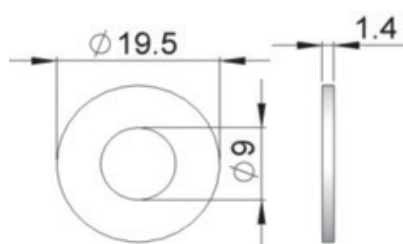
FASL-M8	Spring Leaf Nut M8 for 40x40, 64x64, 40x80, 80x80 Support Beam - Steel, zinc plated
---------	---

UOM: 50 pcs / pk

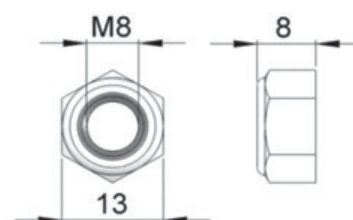


FAFW-M8	M8 Flat washer – Steel, zinc plated	FALN-M8	M8 Lock Nut – Steel, zinc plated
---------	-------------------------------------	---------	----------------------------------

UOM: 50 pcs / pk



UOM: 50 pcs / pk

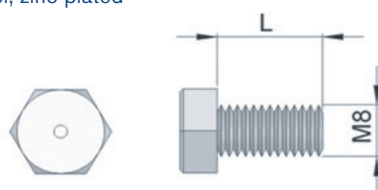


FAHB- M8 x 16	M8 Flat washer- Steel, zinc plated	FACW-M8	Countersunk washer - POM
---------------	------------------------------------	---------	--------------------------

FAHB-M8 x 20	
--------------	--

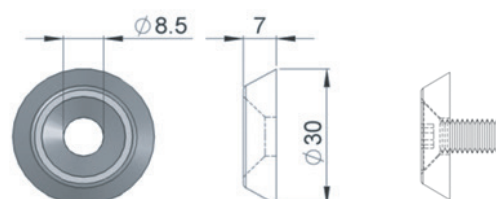
Hex bolt, L = 16 – Steel, zinc plated
Hex bolt, L = 20 – Steel, zinc plated

UOM: 50 pcs / pk



FACW-M8	Countersunk washer - POM
---------	--------------------------

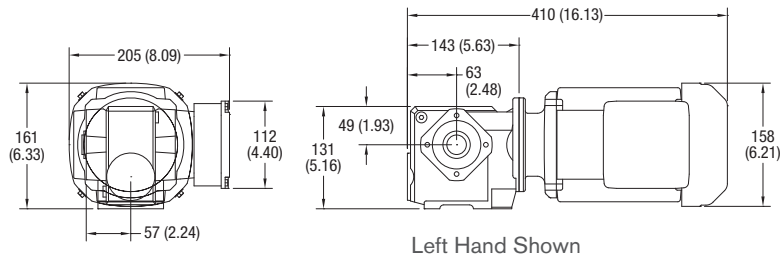
UOM: 50 pcs / pk



Direct Mount, SEW Equivalent, Fixed Speed - 20 mm Shaft

230/460 V 60 Hz

- Sealed Gearmotor
- SEW SA37 Size gearmotor
- Totally enclosed fan cooled
- 230/460 V 3 Phase
- 10 to 60 Hz
- Wiring by others



Regulatory Approvals

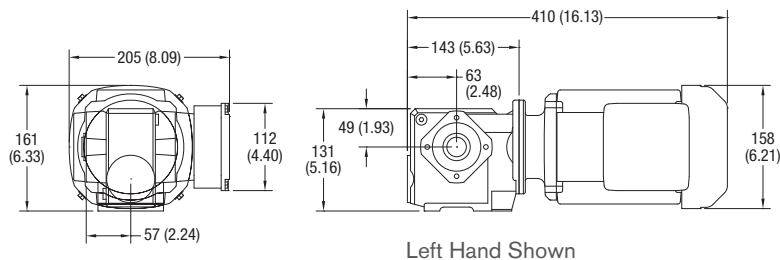


Part Number	Chain Speed		RPM	Hp	kW	Amps	in.-lbs.	Nm	Starter Chart
	FX								
	M/min	Ft/min							
FMM129(X)DS423EN	5.4	17.7	13	0.25	0.18	1.1/0.56	837	95	D
FMM067(X)DS423EN	10.4	34.1	25	0.5	0.37	1.9/0.95	699	79	D
FMM032(X)DS423EN	22	72.2	53	0.75	0.55	2.7/1.35	653	74	D
FMM015(X)DS423EN	47.3	155	114	0.75	0.55	2.7/1.35	341	39	D
FMM013(X)DS423EN	54	177	130	1	0.75	3.1/1.57	425	48	D
FMM010(X)DS423EN	71	233	171	1.5	1.1	4.2/2.1	490	56	D

Where (X) is L or R for Right Hand or Left Hand Gearmotor matching RH or LH Drive

230/400 V 50 Hz

- Sealed Gearmotor
- SEW SA37 Size gearmotor
- Totally enclosed fan cooled
- 230/400 V 3 Phase
- 10 to 50 Hz
- Wiring by others



Regulatory Approvals



Part Number	Chain Speed		RPM	Hp	kW	Amps	in.-lbs.	Nm	Starter Chart
	FX								
	M/min	Ft/min							
FMZ099(X)DS423EN	5.4	17.7	13	0.33	0.25	1.3/0.76	628	71	B
FMZ060(X)DS423EN	9.5	31.2	23	0.5	0.37	1.9/1.09	717	81	B
FMZ029(X)DS423EN	19.9	65.3	48	0.75	0.55	2.6/1.52	478	54	B
FMZ013(X)DS423EN	43.1	141.4	104	1	0.75	3.1/1.79	363	41	B
FMZ009(X)DS423EN	64.7	212	156	1.5	1.1	4.1/2.38	336	38	B
FMZ007(X)DS423EN	89.5	294	216	2	1.5	5.6/3.23	372	42	B

Where (X) is L or R for Right Hand or Left Hand Gearmotor matching RH or LH Drive

SEW gearmotors are products of SEW Eurodrive

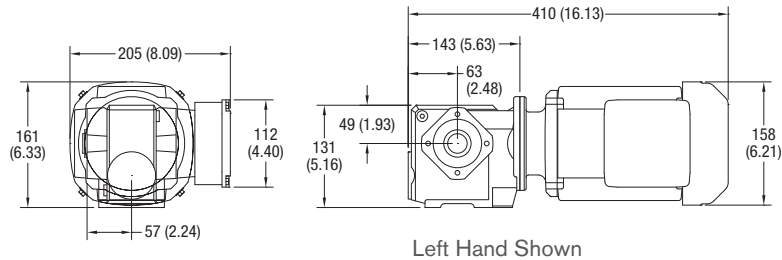
CE Note: When buying a gearmotor only without the starter, the customer must supply their own on/off switch and motor overload protection to comply with the CE Safety Directive.

FLA = Full Load Amperes Some motors and gear reducers may normally operate hot to the touch. Consult factory for specific operating temperatures.

Direct Mount, SEW Equivalent, Variable Speed - 20 mm Shaft

230/460 V 60 Hz

- Sealed Gearmotor
- SEW SA37 Size gearmotor
- Totally enclosed fan cooled
- 230/460 V 3 Phase
- 10 to 60 Hz
- Wiring by others



Regulatory Approvals

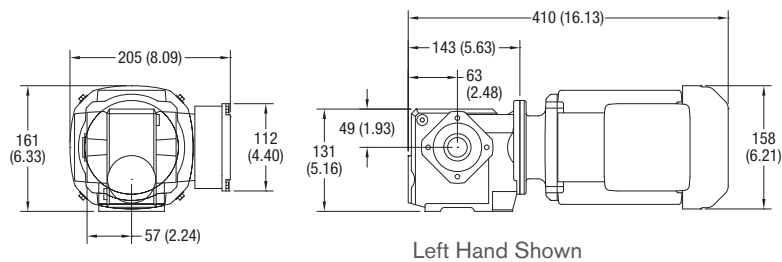


Part Number	Chain Speed		RPM	Hp	kW	Amps	in.-lbs.	Nm	Starter Chart
	FX								
	M/min	Ft/min							
FMM129(X)DS423EN	1.1 - 5.4	3.6 - 17.7	13	0.25	0.18	1.1/0.56	837	95	D
FMM067(X)DS423EN	2.1 - 10.4	6.9 - 34.1	25	0.5	0.37	1.9/0.95	699	79	D
FMM032(X)DS423EN	4.4 - 22	14.4 - 72.2	53	0.75	0.55	2.7/1.35	653	74	D
FMM015(X)DS423EN	9.5 - 47.3	31.1 - 155	114	0.75	0.55	2.7/1.35	341	39	D
FMM013(X)DS423EN	10.8 - 54	35.4 - 177	130	1	0.75	3.1/1.57	425	48	D
FMM010(X)DS423EN	14.2 - 71	47 - 233	171	1.5	1.1	4.2/2.1	490	56	D

Where (X) is L or R for Right Hand or Left Hand Gearmotor matching RH or LH Drive

230/400 V 50 Hz

- Sealed Gearmotor
- SEW SA37 Size gearmotor
- Totally enclosed fan cooled
- 230/400 V 3 Phase
- 10 to 50 Hz
- Wiring by others



Regulatory Approvals



Part Number	Chain Speed		RPM	Hp	kW	Amps	in.-lbs.	Nm	Starter Chart
	FX								
	M/min	Ft/min							
FMZ099(X)DS423EN	1.1 - 5.4	3.6 - 17.7	13	0.33	0.25	1.3/0.76	628	71	B
FMZ060(X)DS423EN	1.9 - 9.5	6.2 - 31.2	23	0.5	0.37	1.9/1.09	717	81	B
FMZ029(X)DS423EN	4 - 19.9	13.1 - 65.3	48	0.75	0.55	2.6/1.52	478	54	B
FMZ013(X)DS423EN	8.6 - 43.1	28.2 - 141.4	104	1	0.75	3.1/1.79	363	41	B
FMZ009(X)DS423EN	12.9 - 64.7	42.3 - 212	156	1.5	1.1	4.1/2.38	336	38	B
FMZ007(X)DS423EN	17.9 - 89.5	58.7 - 294	216	2	1.5	5.6/3.23	372	42	B

Where (X) is L or R for Right Hand or Left Hand Gearmotor matching RH or LH Drive

SEW gearmotors are products of SEW Eurodrive

CE Note: When buying a gearmotor only without the starter, the customer must supply their own on/off switch and motor overload protection to comply with the CE Safety Directive.

FLA = Full Load Amperes Some motors and gear reducers may normally operate hot to the touch. Consult factory for specific operating temperatures.

Variable Speed Controllers

Chart B		VFD Controller, Full CE Compliance, 50 Hz						
<ul style="list-style-type: none"> • VFD control • IP 65 enclosure • EMC filter • Variable speed • Mounting hardware • Line cord and motor cord • Motor cord only on 460V 					<p>Regulatory Approvals</p> <p>CE</p> <p>cULus</p>			
	Part Number	Input Volts	Input Phase	Input Hz	Output Volts	Output Phase	Max Kw*	Max Amps
62UV2121	230	1	50	230	3	0.75	4.2	Yes
62UV4341	400	3	50	400	3	0.75	2.1	Yes
62UV2127	230	1	50	230	3	1.50	6.8	Yes
62UV4347	400	3	50	400	3	1.50	3.4	Yes

Chart D		VFD Controller, 60 Hz						
<ul style="list-style-type: none"> • Full feature VFD control • NEMA 4 enclosure • Digital display • Keypad with Start/Stop, Forward/Reverse and speed variations • Includes cord to motor • Power to controller by others • 62MV1122 includes line cord to controller • Mounting hardware 					<p>Regulatory Approvals</p> <p>CE</p> <p>cULus</p>			
	Part Number	Input Volts	Input Phase	Input Hz	Output Volts	Output Phase	Max Hp	Output Amps*
32MV1122	115	1	60	230	3	0.5	2.2	Yes
32MV2122	230	1	60	230	3	0.5	2.2	Yes
32MV1121	115	1	60	230	3	1.0	4.0	Yes
32MV2121	230	1	60	230	3	1.0	4.0	Yes
32MV2127	230	1	60	230	3	2.0	6.8	Yes
32MV2322	230	3	60	230	3	0.5	2.2	Yes
32MV2327	230	3	60	230	3	2.0	6.8	Yes
32MV4341	460	3	60	460	3	1.0	2.0	Yes
32MV4347	460	3	60	460	3	2.0	3.4	Yes

In order for this drive to meet full CE requirements for European application a separate CE approve RFI filter must be installed. Product shown in chart B above have this filter pre-installed and are recommended for use in the European Union.

SEW gearmotors are products of SEW Eurodrive

CE Note: When buying a gearmotor only without the starter, the customer must supply their own on/off switch and motor overload protection to comply with the CE Safety Directive.

FLA = Full Load Amperes Some motors and gear reducers may normally operate hot to the touch. Consult factory for specific operating temperatures.

Manual Motor Starters

Manual motor starts are manual electronic disconnects that provide motor overload protection and are required by the National Electric Code (NEC) for safe motor operation.

- IP 55 Enclosure
- Push button Start / Stop
- Includes mounting hardware

Regulatory Approvals



Illustration A

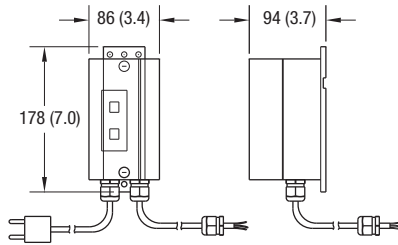


Illustration B

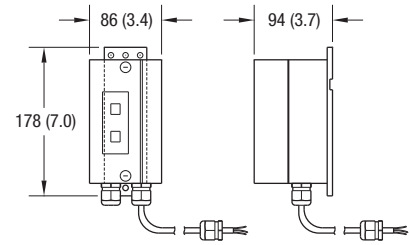


Chart I		230/400V 50Hz to 2.5 amp		
<ul style="list-style-type: none"> • 230 Volts, 1 phase includes cord, plug and starter • 230/400 Volts, 3 phase wiring to starter by others • Wiring between motor and starter provided when ordered together • 50 Hz 				
Part Number	In Volts	In Phase	Amp Range	Illustration
62(c)M21T	230	1	1.6 - 2.5	A
62(c)M23T	230	3	1.0 - 1.6	B
62(c)M43T	400	3	0.63 - 1.0	B

Chart J		230/400V 50 Hz to 4 amp		
<ul style="list-style-type: none"> • 230 Volts, 1 phase includes cord, plug and starter • 230/400V, 3 phase wiring to starter by others • Wiring between motor and starter provided when ordered together • 50 Hz 				
Part Number	In Volts	In Phase	Amp Range	Illustration
62(c)M21J	230	1	2.5 - 4.0	A
62(c)M23J	230	3	1.6 - 2.5	B
62(c)M43J	400	3	1.0 - 1.6	B

Chart L		230/460V 60 Hz to 1.6 amp		
<ul style="list-style-type: none"> • 230/460 Volts, 3 phase wiring to starter by others • Wiring between motor and starter provided when ordered together • 60 Hz 				
Part Number	In Volts	In Phase	Amp Range	Illustration
62MM23L	230	3	1.0 - 1.6	B
62MM43L	460	3	0.4 - .63	B

Chart M		230/460V 60Hz to 2.5 amp		
<ul style="list-style-type: none"> • 230/460 Volts, 3 phase wiring to starter by others • Wiring between motor and starter provided when ordered together • 60 Hz 				
Part Number	In Volts	In Phase	Amp Range	Illustration
62MM23M	208-230	3	1.6 - 2.5	B
62MM43M	460	3	1.0 - 1.6	B

Chart P		230/460V 60Hz to 4 amp		
<ul style="list-style-type: none"> • 230/460 Volts, 3 phase wiring to starter by others • Wiring between motor and starter provided when ordered together • 60 Hz 				
Part Number	In Volts	In Phase	Amp Range	Illustration
62MM23U	208-230	3	2.5 - 4.0	B
62MM43P	460	3	1.6 - 2.5	B

Chart Q		230/460V 60Hz to 6.3 amp		
<ul style="list-style-type: none"> • 230/460 Volts, 3 phase wiring to starter by others • Wiring between motor and starter provided when ordered together • 60 Hz 				
Part Number	In Volts	In Phase	Amp Range	Illustration
62MM23Q	208-230	3	4.0 - 6.3	B
62MM43Q	460	3	2.5 - 4.0	B

CE Note: When buying a gearmotor only without the starter, the customer must supply their own on/off switch and motor overload protection to comply with NEC and CE safety directive.

(c) = Electrical Configuration
G = CE German **F** = CE French **U** = CE Great Britain

Material

Material	FlexMove Parts
POM (Polyoxymethylene)	Conveyor chain, rollers
POM Conductive (Polyoxymethylene)	Conductive chain
Aluminum, extruded & anodized	Angle bracket, beam support bracket, conveyor beam, support beam, guide rail, distance tube, fixed and adjustable side guide bracket, spacer
Steel, electro-zinc plated	Bolts and nuts, connecting strips, foot connecting strip
Steel, powder coated	Foot, connecting plate
PA, Polyamide	Chain pivot, side guide bracket, side guide support, drive and idler steering guide, end caps, wheel guide
Polyamide PA + Glass fibre	Drive sprocket, idler wheel
PVC, Polyvinyl Chloride	T-slot cover
HDPE, High Density Polyethylene	Slide rail, guide rail
UHMW-PE, Ultra High Molecular Weight Polyethylene	Slide Rail, drive and idler steering guides
PVDF, Polyvinylidene fluoride	Slide Rail
TPE, Thermoplastic Elastomer	Chain insert for friction top and wedge top

Chains

Series	FX	FX	FX	FX
Chain width (mm)	152 mm	304 mm	457 mm	609 mm
Chain width (inch)	6.0"	12.0"	18.0"	24.0"
Tensile strength at 20°C (N)	8470 N	18500 N	26000 N	34300 N
Tensile strength at 68°F (lbf)	1904 lbf	4158 lbf	5845 lbf	7710 lbf
Max. working tensile at 20°C (N)	1150 N	2170 N	2730 N	3400 N
Max. working tensile at 68°F (lbf)	258 lbf	487 lbf	614 lbf	764 lbf
Working temperature (°C)	-20 – 60° C	-20 – 60° C	-20 – 60° C	-20 – 60° C
Working temperature (°F)	-4 – 140° F	-4 – 140° F	-4 – 140° F	-4 – 140° F
Standard conveyor speed (m/min)	3 – 50 m/min	3 – 50 m/min	3 – 50 m/min	3 – 50 m/min
Standard conveyor speed (ft/min)	10 – 165 ft/min	10 – 165 ft/min	10 – 165 ft/min	10 – 165 ft/min
Max. conveyor length (m)	30 m	30 m	30 m	30 m
Max. conveyor length (ft)	100 ft	100 ft	100 ft	100 ft
Min. turning radius (mm)	304 mm	608 mm	914 mm	1218 mm
Min. turning radius (inch)	12"	24"	36"	48"
Link spacing (mm)	25.4 mm	25.4 mm	25.4 mm	25.4 mm
Link spacing (inch)	1.0"	1.0"	1.0"	1.0"
Chain weight (plain) (kg/m)	2.11 kg/m	3.85 kg/m	5.71 kg/m	7.16 kg/m
Chain weight (plain) (lb/ft)	1.42 lb/ft	2.59 lb/ft	3.84 lb/ft	4.81 lb/ft
Max. weight on conveyor (kg/m)	25 kg/m	65 kg/m	65 kg/m	100 kg/m
Max. weight on conveyor (lb/ft)	16.8 lb/f	43.7 lb/ft	43.7 lb/ft	67.2 lb/ft
Item width (mm)	50 – 400 mm	100 – 600 mm	150 – 900 mm	200 – 1200 mm
Item width (inch)	3.9 – 23.6"	3.9 – 23.6"	5.9 – 35"	7.9 – 47.2"

Chain strength and expansion vs. temperature

Temperature °C	Tensile strength factor	Linear expansion %
-20	1.2	-0.4
0	1.1	-0.2
20	1.0	0.1
40	0.9	0.2
60	0.8	0.5
80	0.6	0.8
100	0.5	1.0
120	0.3	1.3

Resistance to chemical

FlexMove® components can withstand continuous contact with most chemicals. However, it is recommended to avoid:

- Acids with pH less than 4
- Bases with pH higher than 9

The following table specifies the resistance of several material used in the conveyor on selected chemicals

Legend

- 1 = Very good 2 = Good 3 = Moderate resistance
 4 = Not recommended 5 = No data available

Material	Acetal POM	Polyamide PA	High-density Polyethylene HDPE	Thermoplastic Elastomer TPE	Aluminum AL
Acids:					
Acetic acid	3	4	3	-	2
Benzoic acid	3	4	1	-	4
Citric acid	3	2	2	-	2
Chromic acid	4	4	1	-	3
Hydrofluoric acid	4	4	1	-	4
Hydrochloric acid	4	4	1	-	3
Hydro cyanic acid	4	4	2	-	1
Nitric acid	4	4	4	-	3
Phosphoric acid	4	4	1	-	3
Sulphuric acid	4	4	2	1	3
Tartaric acid	3	2	1	-	1
Basic compounds:					
Ammonia	1	2	1	-	2
Calcium hydroxide	1	2	1	-	4
Caustic soda	1	2	1	1	3
Potassium hydroxide	1	2	1	-	4
Salts:					
Potassium bicarbonate	2	2	2	-	1
Potassium permanganate	2	4	2	-	1
Sodium cyanic	2	2	2	-	4
Sodium hydrochloride	3	4	1	-	4
Acid salt	2	3	1	-	-
Basic salt	1	2	1	-	-
Neutral salt	1	2	1	-	-

Chains

Material	Acetal POM	Polyamide PA	High-density Polyethylene HDPE	Thermoplastic Elastomer TPE	Aluminum AL
Organic compounds and solvents:					
Acetone	1	1	4	3	1
Benzene	1	1	4	3	1
Butyl alcohol	2	2	2	-	1
Carbon disulphide	1	1	3	-	1
Chloroform	1	1	4	-	-
Ethyl acetate	1	1	2	-	1
Ethyl alcohol	1	1	1	-	1
Heptane	2	2	2	-	-
Methyl alcohol	1	1	1	-	2
Methyl ethyl ketone	1	1	4	4	2
Nitrobenzene	2	2	3	-	1
Phenol	3	3	2	-	1
Gasses:					
Carbon dioxide	3	1	1	-	1
Carbon monoxide	2	1	1	-	1
Chlorine	2	4	3	-	1
Hydrogen sulphide	3	1	2	-	1
Sulphur dioxide	2	3	2	-	1
Others:					
Beer	1	2	2	-	1
Fruit juices	1	2	3	-	2
Gasoline	1	2	2	-	1
Milk	1	1	2	-	1
Oil	1	1	2	-	1
Vinegar	1	2	3	-	1

Note: the table above is valid for temperature range up to 60°C and it is to be considered as guideline only. Furthermore, precautions should be taken when using cleaning agents. If you are in doubt on the material to withstand your special environment, you should go for chemical testing or contact our local distributor.

Friction Coefficient

Friction coefficients between chain and slide rails are 0.10 – 0.15. the friction coefficients between chain and products are as follow:

Product	Plain Chain
Steel (dry)	0.15-0.25
Steel (lubricated)	0.10-0.15
Glass (dry)	0.15-0.20
Glass (lubricated)	0.10-0.15
Aluminum	0.15-0.25
Plastic	0.15-0.25
Wood and paper	0.15-0.30

Temperature Limits

This conveyor system can operate continuously in an environment of between - 20°C to 60°C. The conveyor can withstand up to 100°C for a short period (washing, rinsing).

Static Electricity

The standard plastic materials used for conveyors have low electrical conductivity. So, static electricity can build up in the conveyor. When a conveyor is running under normal environment (20°C and humidity 60%) without load, the static electricity build up should be around the following figures:

Above the drive unit	1800-2500V
Idler end	400-500V
Above the wheel bend	400-500V
Above the straight section	250-350V

With the introduction of anti-static material for slide rail and chain, it shall meet the requirement for electronic industry.

Sound Level

Normally, noise level is higher during the run-in period. The noise level should go down after few days of operation. Generally noise level will increase proportionally to the conveyor speed. Typically, the noise level reading in dB should be around the following:

Chain	Conveyor Speed M/min				
	5	10	20	30	40
FX	60	60	70	75	78

Chain Tension Calculation

Calculation is necessary to determine the maximum chain tension on a particular conveyor configuration design, the results are used to decide :

- Drive unit capacity
- Tension limit of conveyor chain

For short, light and low speed applications, the tension limit of the chain normally far exceeds the actual requirement of the application. If you are in doubt, always calculate.

Drive Unit Output Capacity, P(W) requirement depend on:

- Traction force F (N)
- Chain speed V (m/min)

To calculate power, the equation is $P = 1/60 (F \times V)$

There are several drive unit designs, the maximum permissible traction force on each type of drive unit as below:

Drive unit type	Maximum traction force in Newton (N)			
	FX152	FX304	FX457	FX609
End	1150	2170	2730	3400

Chain Tension Limit

Chain tension limit can be derived from the diagram on the next page. It is dependent on various operating conditions, the actual calculation result should be reduced by service factor. Conveyors with high frequency of start/stop will have a high service factor but this could be reduced by providing a frequency inverter incorporated with start/stop function.

Operating conditions	Service factor
Low speed (<15m/min) & max. 1 start/stop per hour	1.0
Low speed & max. 10 start/stop per hour	1.2
Low speed & max. 20 start/stop per hour	1.4
High speed (>15m/min) & max 20 start/stop per hour	1.6

It is not advisable to operate a conveyor with more than 20 starts/stops per hour. If your application must operate this way, please consult the factory.

Drive Unit Specifications

Direct Drive unit	FX152	FX304	FX457	FX609
Number of Teeth on sprocket	16 (Twin)	16 (Twin)	16 (Quad)	16 (Quad)
Chain Pitch (mm)	25.4	25.4	25.4	25.4
Max. Traction force (N)	1150	2170	2730	3400
Sprocket Diameter (mm)	132	132	132	132

Bend Factors

Bend factors must be considered and calculated at every plain chain. It depends on the angle of the bend α in radians and friction coefficient μ between chain and slide rails. In application when conveyor is dry and clean, the friction coefficient μ is close to 0.1.

The bend factor is important to calculate since the frictional force of a plain bend depends not only on the weight of chain and product but also the actual the tension throughout the bend. The result an additional pressure force of the chain towards the conveyor beam directed toward the center of the bend. Since the chain tension varies throughout the conveyor, calculation of this additional pressure force is complicated. The highest values are present at the pulling side of the drive unit and virtually zero at the chain inlet. Using bend factor is the easiest way of including added friction in the plain bend for both horizontal and vertical into the calculation. Always use wheel bend unless for exceptional cases. If using plain bend is a must, the combined plain bends angle should not more than 180°, unless it is for a very short and light application.

Bend type, horizontal or vertical plain bend	Bend factor
30°1	.2
45°	1.3
60°1	.4
90°1	.6

8° inclined is the maximum a product could convey for plain chain whereas friction top chain could take up to 30°

Calculation

FlexMove® chain tension calculation could be simplified as follow:

Divide the conveyor in sections, each containing a straight part and up to the next plain bend (horizontal or vertical).

First section should be from the end furthest away from the drive unit.

Wheel bends are considered equivalent to straight section. A conveyor with wheel bend but without plain bend should be considered as one straight section. Calculate the force caused by gravity load of the return chain.

Calculate the forces caused by transport friction, accumulation and gravity in the first section and multiply with bend factor. Repeat the step above on each section of the conveyor until the last section with the drive unit. The result of the calculation indicates the amount of traction force required to move the conveyor.

Traction force, the chain tension is caused by several components such as:

- Friction between unloaded chain and slide rail for example on the return chain.
- Friction between loaded chain and slide rails.
- Friction between accumulating products and top surface of chain.
- Gravity force acting on products and top surface of chain.
- Additional friction in horizontal and vertical bend.

Traction force F requires to move the chain depends on the following factors:

- Conveyor length (L)
- Product gravity load / m, Transport (gp)
- Product gravity load / m, Accumulation (gpa)
- Chain gravity load / m (gc)
- Friction coefficient, chain / slide rail (μ_c)
- Friction coefficient, chain / products (μ_p)
- Incline angle (A)
- Bend factor for horizontal plain bend and vertical bend (α)

Diagram A

Horizontal conveyor without accumulation.

Therefore, $F = L (g_c + g_p) m$

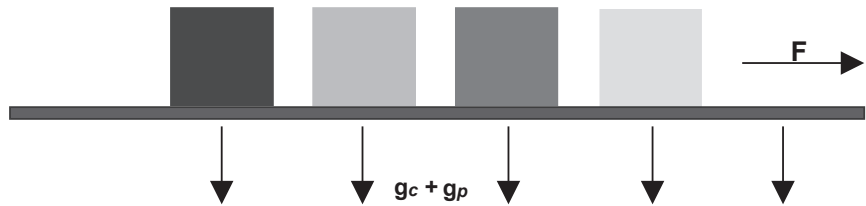


Diagram B

Incline without accumulation.

Therefore, $F = L (g_c + g_p) (\mu_c \cdot \cos A + \sin A)$

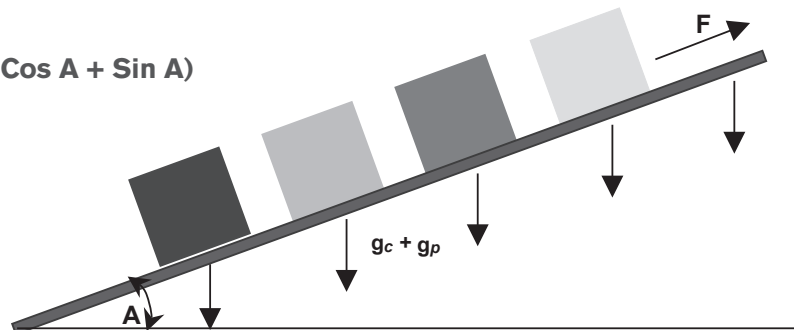
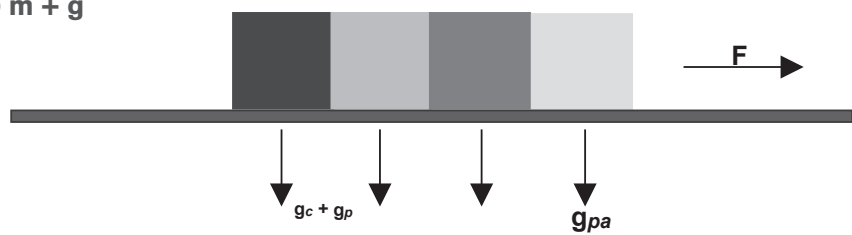


Diagram C

Incline with accumulation.

Therefore, $F = L (g_c + g_p) m + g$



Note:

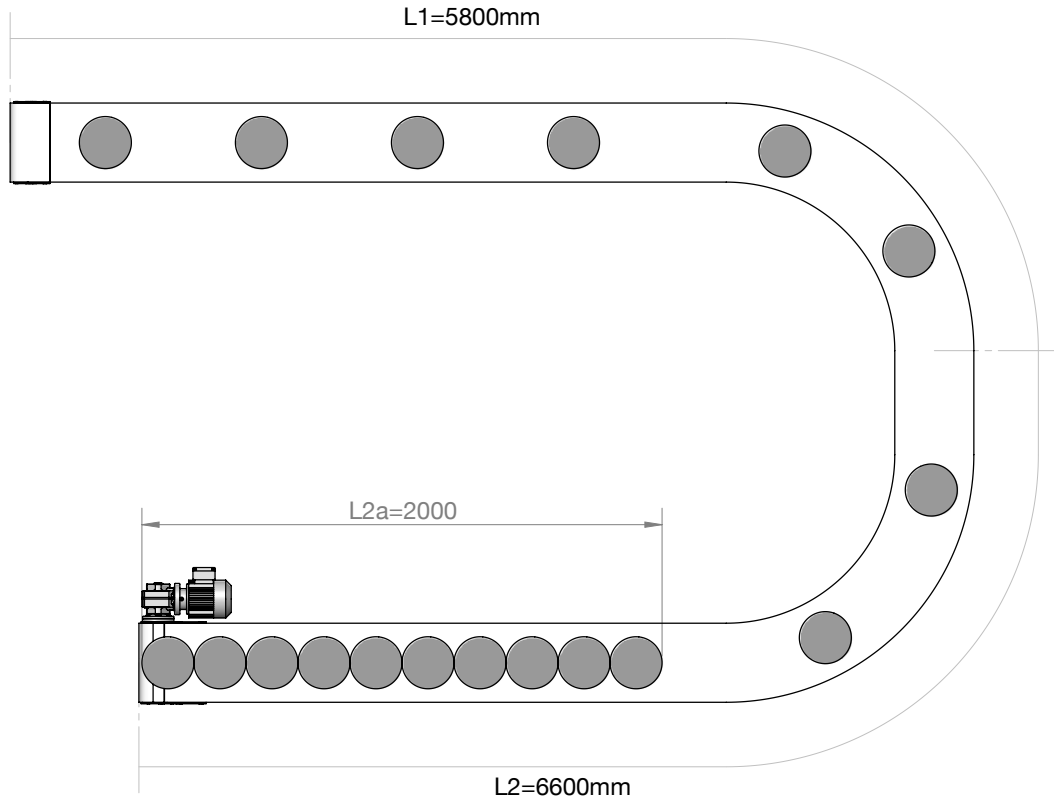
If the traction force exceeds the chain or drive unit capacity, therefore:

*Shorten the conveyor or re-layout if possible.

*Break the conveyor into two conveyor with individual drive unit.

Calculation Example

Horizontal conveyor with 90° horizontal plain bends.



Calculation Data

- Conveyor series = FX304
- Conveyor speed, $V = 10$ m/min
- Start/stop = 15/hour
- Total length = 12.4 m
- Friction coefficient, $\mu_c = 0.1$
- Friction coefficient, $\mu_p = 0.2$
- Chain weight, $g_c = 37.76$ N/m
- Transport product weight, g_p (4 kg/m) = 39.23 N/m
- Accumulation product weight, g_{pa} (14(2kg)/m) = 274.68 N/m

Comparison

The calculation result can now be compared with the maximum chain tension for 10 m/min is 1270 N and for 12.4 m of conveyor is 1411 N. Divide the service factor for 15 start/stop of 1.4. so the actual permission chain tension limit is $1270/1.4 = 907$ N

Section L1

$$F1 = [F0 + L1 (g_c + g_p) \mu_c] k \alpha 1$$

$$= [0 + 5.8(37.76 + 39.23)0.1] 1.6$$

$$= 71.45 \text{ N}$$

Section L2

$$F2 = F1 + [L2a (g_c + g_{pa}) \mu_c + L2b (g_c + g_p)] \mu_c + (L2a \cdot g_{pa} \cdot \mu_p)$$

$$= 71.45 + [2(37.76 + 274.68) + 4.6(37.76 + 39.23)]0.1 + (2 \cdot 274.68 \cdot 0.2)$$

$$F_{total} = 279.22 \text{ N}$$

FX Series Conveyors are best for:

- Part Handling
- Transfers
- Tight Spaces
- Elevation Changes
- Accumulation
- Buffering
- Complex Configurations
- Long Lengths
- Curves, Jogs, Incline, Decline

Sizes & Measurements

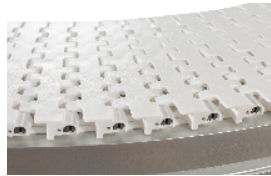
- Widths: 152 mm, 304 mm, 457 mm and 609 mm
- Lengths: 0.6 m to 20 m
- Up to 4 curves per gearmotor

Loads & Speeds

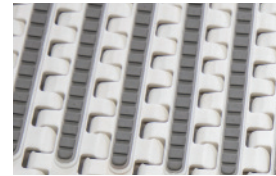
- Loads: Up to 272 kgs
- Speeds: Up to 50 meters per minute

Plastic Chain Types

- Standard Low Friction & Friction Insert Chain Surface
- Center bearing for Curve Conveyors
- Non-Bearing Chain for Straight Conveyors



Flat

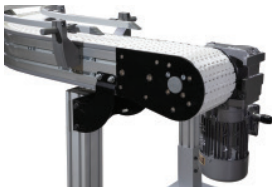


Friction Top

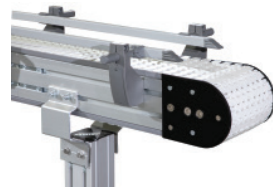


Bearing Chain

Modules



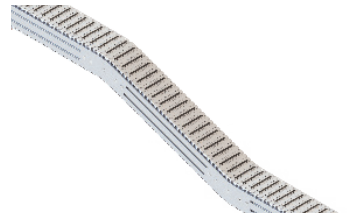
Drive



Idler



Curve
45°, 90°, 135°, 180°



Incline/Decline
5°, 10°, 20°, 30°



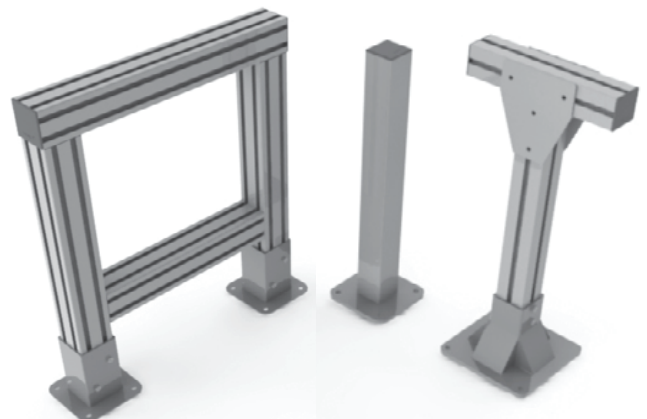
Guiding

- Fully Adjustable Single Rail
- Fully Adjustable Double Rail
- Other Options Available

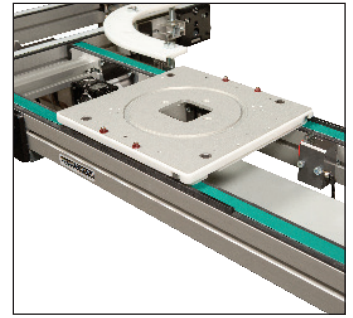
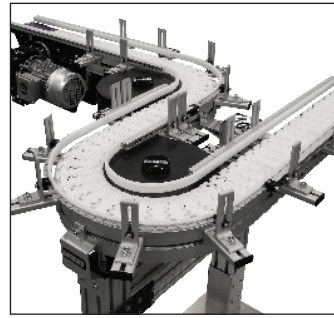
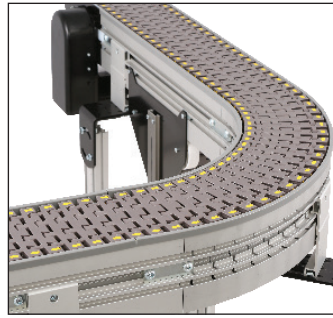
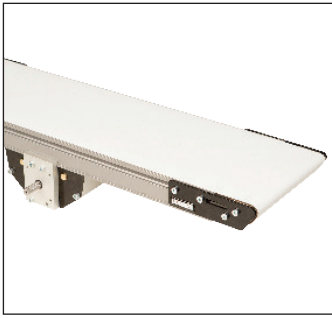


Support Stands

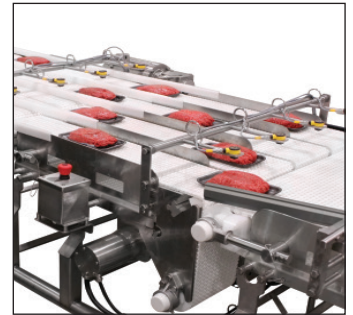
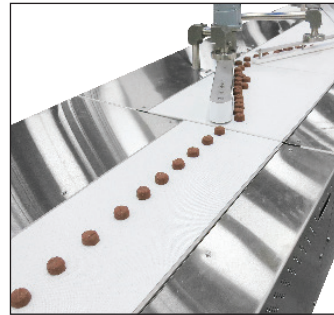
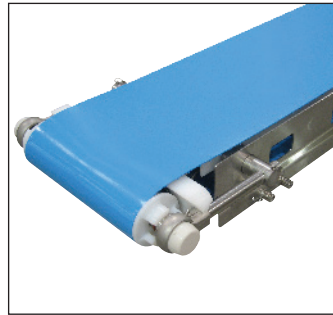
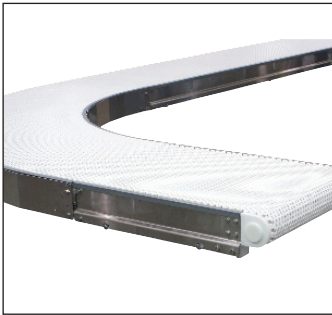
- Single, Double and Multi-Lane Structures Available



Industrial & Automation Conveyors



Sanitary Conveyors



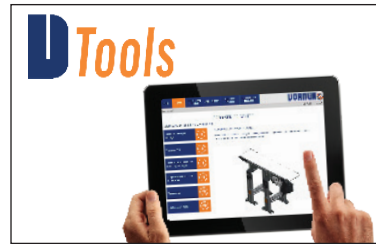
Engineered Solutions



Parts



Service



Online Configurator



Warranty

Transforming Conveyor Automation

Dorner – Asia

128 Jalan Permatang Damar Laut, Bayan Lepas 11960
Penang, Malaysia
+604-626-2948 | info.asia@dorner.com

Dorner GmbH – Europe

Dorner – Germany

Karl-Heinz-Beckurts-Straße 7
52428 Jülich,
Germany
+49 (0) 2461/93767-0
info.europe@dorner.com

Dorner – France

8 rue des Frères Caudron
78140 Velizy-Villacoublay
France
+33 (0)1 84 73 24 27
info.france@dorner.com

Dorner – North & South America

Dorner – U.S.A.

Headquarters
975 Cottonwood Ave
Hartland, WI 53029, USA
(800) 397-8664
(262) 367-7600
info@dorner.com

Dorner – Canada

100-5515 North Service Road
Burlington, Ontario L7L 6G6
Canada
(289) 208-7306
info@dorner.com

Dorner – Latin America

Carretera a Nogales #5297,
Nave 11. Parque Industrial Nogales
Zapopan, Jalisco C.P. 45222
Mexico
+52.33.30037400
info.latinamerica@dorner.com

DORNER®



www.dornerconveyors.com