

Up to Four Curves
on a Single Conveyor

Compact, Sleek
Frame Structure

Safe & Robust
Chain Design

Driven Transfers for
Small Part Handling



FlexMove[®]

FX SERIES CONVEYORS

Compact, Heavy Duty,
Flexible Chain Conveyors

DORNER[®] 

FX Series Conveyors are best for:

- Part Handling
- Transfers
- Tight Spaces
- Elevation Changes
- Accumulation
- Buffering
- Complex Configurations
- Long Lengths
- Curves, Jogs, Incline, Decline

Sizes & Measurements

- Widths: 152 mm, 304 mm, 457 mm and 609 mm
- Lengths: 0.6 m to 20 m
- Up to 4 curves per gearmotor

Loads & Speeds

- Loads: Up to 272 kgs
- Speeds: Up to 50 meters per minute

Plastic Chain Types

- Standard Low Friction & Friction Insert Chain Surface
- Center bearing for Curve Conveyors
- Non-Bearing Chain for Straight Conveyors



Flat



Friction Top



Bearing Chain

Modules



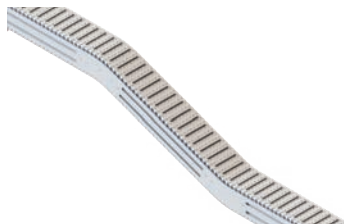
Drive



Idler



Curve
45°, 90°, 135°, 180°



Incline/Decline
5°, 10°, 20°, 30°



Guiding

- Fully Adjustable Single Rail
- Fully Adjustable Double Rail
- Other Options Available



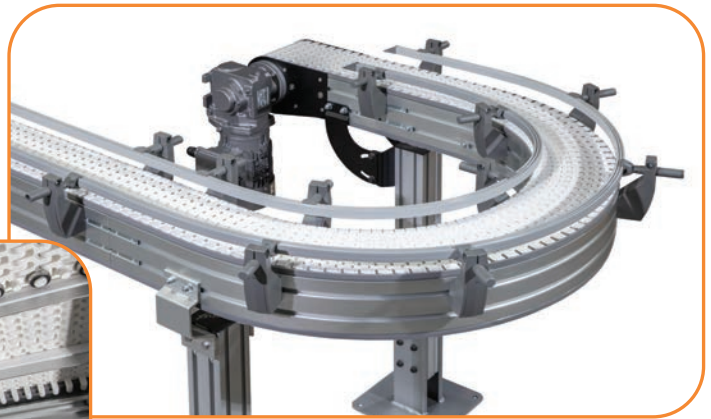
Support Stands

- Single, Double and Multi-Lane Structures Available



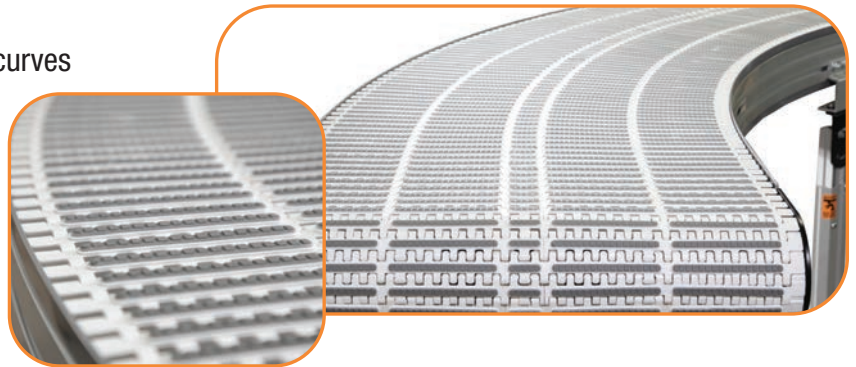
Compact Design Saves Critical Floor Space

- Infeed and exit sections as short as 460 mm
- Turn radius of 2X the belt width
- Innovative bearing chain design allows for up to four curves on a single gearmotor



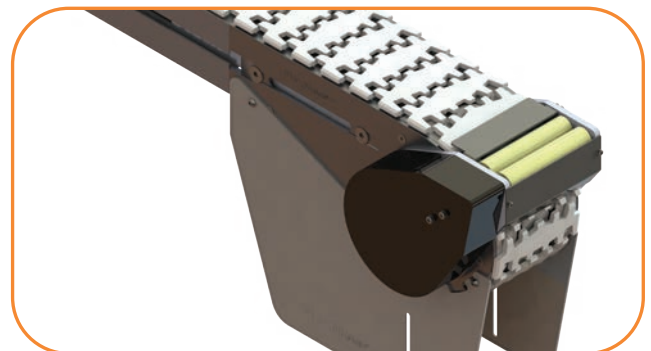
Safest Modular Belt Conveyor in the Industry

- Chain openings less than 4 mm, even on curves
- Covered side tabs along the full length of the conveyor rail
- Contained drive eliminates catenary belt for operator safety



Small Parts Transfers - Driven Bridge Option

- Transfer small parts, as small as 75 mm long in-line
- Driven rollers provide smooth transfer
- Provides interface to other large roller conveyors such as spirals or freezers



The Benefits of a Dorner FlexMove FX Series Conveyor

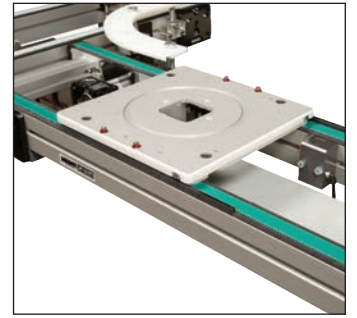
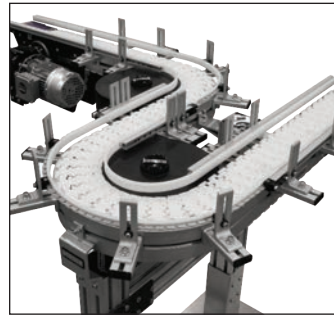
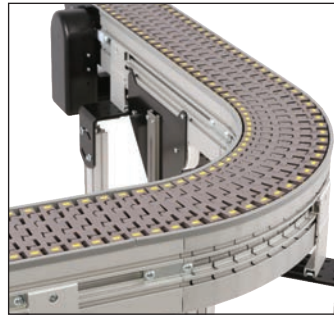
Flexibility in Layout and Design

- T-slot aluminum frames allows for easy-to-install add-ons and custom design changes
- Variety of chain tops with features to suit different application needs

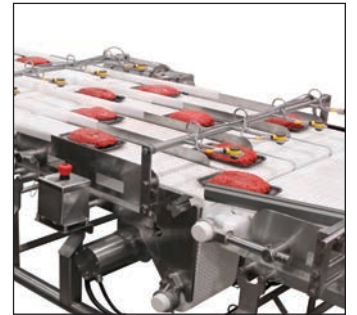
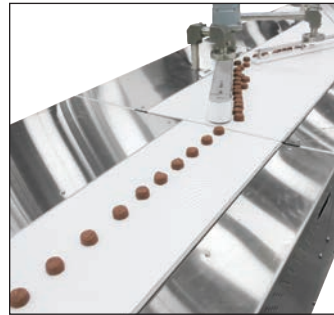
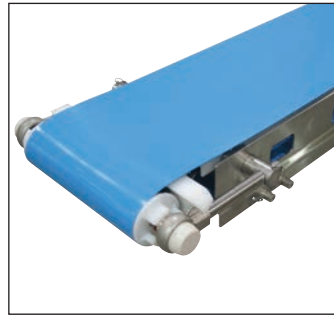
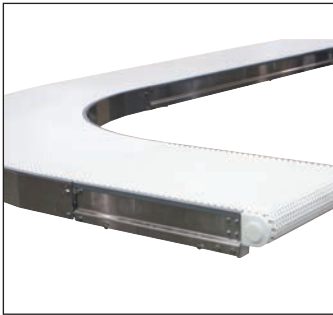
Heavy Duty Performance

- Straightforward and compact design maximizes space while minimizing noise, maintenance, and space
- High speeds up to 50 m/min and product loads up to 272 kg
- Robust single pin chain design with 1/4 turn screw for easy removal anywhere along the length of the straight
- Stainless Steel center bearing chain design features enhanced turning performance

Industrial & Automation Conveyors



Sanitary Conveyors



Engineered Solutions



Parts

Service

Online Configurator

Warranty

Transforming Conveyor Automation

Dorner GmbH – Europe

Dorner – Germany
Karl-Heinz-Beckurts-Straße 7
52428 Jülich,
Germany
+49 (0) 2461/93767-0
info.europe@dorner.com

Dorner – France
8 rue des Frères Caudron
78140 Velizy-Villacoublay
France
+33 (0)1 84 73 24 27
info.france@dorner.com

Dorner – North & South America

Dorner – U.S.A.
Headquarters
975 Cottonwood Ave
Hartland, WI 53029, USA
(800) 397-8664
(262) 367-7600
info@dorner.com

Dorner – Canada
100-5515 North Service Road
Burlington, Ontario L7L 6G6
Canada
(289) 208-7306
info@dorner.com

Dorner – Latin America
Carretera a Nogales #5297,
Nave 11. Parque Industrial Nogales
Zapopan, Jalisco C.P. 45222
Mexico
+52.33.30037400
info.latinamerica@dorner.com

Dorner – Asia

128 Jalan Permatang Damar Laut, Bayan Lepas 11960
Penang, Malaysia
+604-626-2948 | info.asia@dorner.com



www.dornerconveyors.com