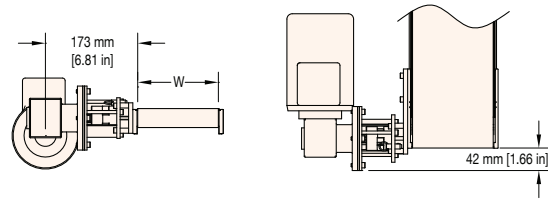
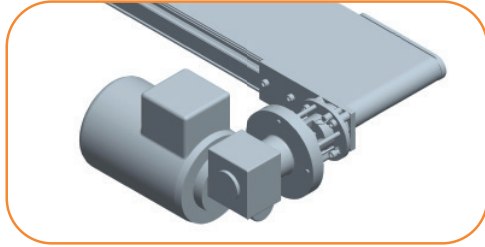
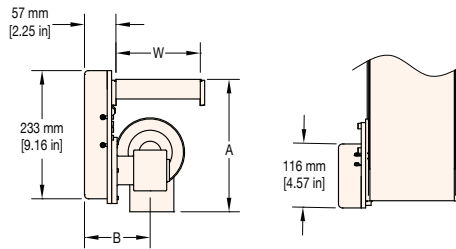
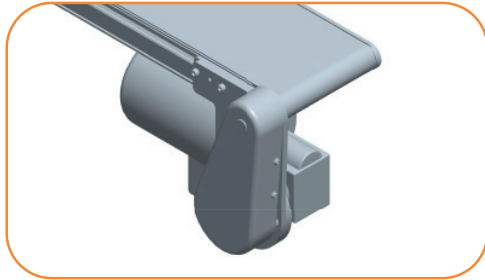


Side Mount Package, 90° Gearmotor



- Includes gearmotor mounting bracket, coupling, coupling guard and mounting hardware

Bottom Mount Package, 90° Gearmotor



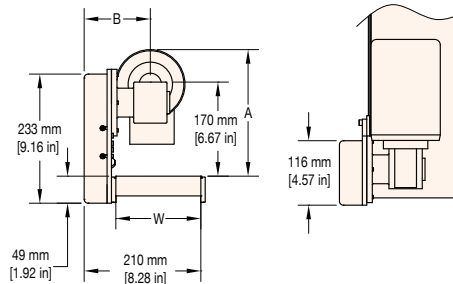
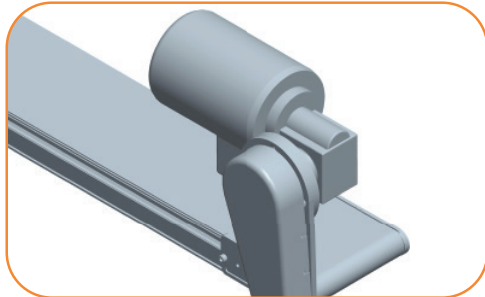
MOTOR 'A' & 'B' DIMENSION KEY:

A: LIGHT - 239 mm [9.41 in]
STANDARD - 240 mm [9.46 in]
HEAVY - 322 mm [12.68 in]

B: LIGHT - 102 mm [4.00 in]
STANDARD - 119 mm [4.69 in]
HEAVY - 112 mm [4.40 in]

- Includes gearmotor mounting bracket, timing belt and pulleys, guard cover and mounting hardware

Top Mount Package, 90° Gearmotor



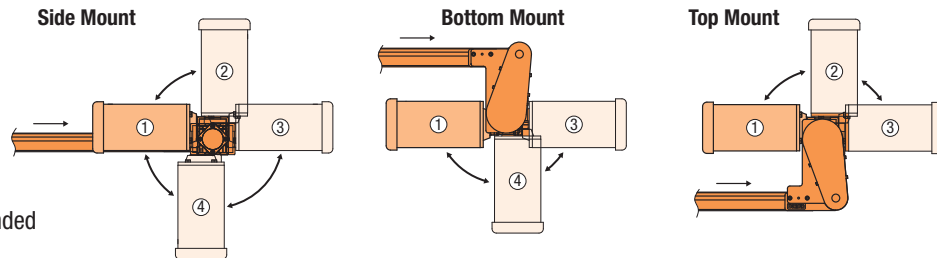
MOTOR 'A' & 'B' DIMENSION KEY:

A: LIGHT - 225 mm [8.84 in]
STANDARD - 228 mm [8.98 in]
HEAVY - 211 mm [8.31 in]

B: LIGHT - 102 mm [4.02 in]
STANDARD - 119 mm [4.69 in]
HEAVY - 112 mm [4.40 in]

- Includes gearmotor mounting bracket, timing belt and pulleys, guard cover and mounting hardware

90° Gearmotor Location Options



Note: Position 1 recommended

Consult factory for details

Note: Conveyor and gearmotor are not included in the mounting package and must be ordered separately.

W = Conveyor Belt Width **Dim** = mm (in)

End Drive Belt Speed

Fixed Speed												
2200 Belt	2200 Precision Move	2200 LPZ	2200 Modular Belt		RPM From Gearmotor	Mount Package		Pulley Kit		Gearmotor Chart		
			Micropitch Belts 01 and 02	Metalworking Belts 30 thru 42		Top & Bottom	Side	Drive Pulley	Driven Pulley	Light Load	Standard Load	Heavy Load
Meter/min	Meter/min	Meter/min	Meter/min	Meter/min								
2.3	2.8	4.5	3.1	3.5	23	X	X	28	28			5
2.6	3.0	4.9	3.4	3.8	25	X	X	28	28	1	3	
3.7	4.3		4.9	5.4	23	X		44	28			5
4.0	4.7		5.3	5.9	25	X		44	28	1	3	
4.7	5.5		6.3	6.9	23	X		44	22			5
4.8	5.6	9.2	6.4	7.1	47	X	X	28	28	1	3	5
5.1	6.0		6.8	7.5	25	X		44	22	1	3	
5.1	6.0		6.8	7.5	23	X		48	22			5
5.6	6.5		7.4	8.2	25	X		48	22	1	3	
6.8	8.0	13.1	9.1	10.1	67	X	X	28	28			5
7.1	8.4	13.6	9.5	10.5	70	X	X	28	28	1	3	
7.5	8.9		10.0	11.1	47	X		44	28	1	3	5
9.5	11.2	18.1	12.6	14.0	93	X	X	28	28	1	3	5
9.6	11.3		12.8	14.1	47	X		44	22	1	3	5
10.5	12.3		13.9	15.4	47	X		48	22	1	3	5
10.8	12.6		14.3	15.8	67	X		44	28			5
11.2	13.2		15.0	16.5	70	X		44	28	1	3	
12.7	14.9	24.2	16.9	18.6	124	X	X	28	28		3	
13.7	16.1		18.2	20.1	67	X		44	22			5
14.3	16.8	27.3	19.0	21.0	140	X	X	28	28	1		
14.3	16.8		19.0	21.0	70	X		44	22	1	3	
14.8	17.4	28.2	19.7	21.8	145	X	X	28	28			5
14.9	17.5		19.9	21.9	93	X		44	28	1	3	5
14.9	17.5		19.9	21.9	67	X		48	22			5
15.6	18.3		20.8	22.9	70	X		48	22	1	3	
19.0	22.3		25.3	27.9	93	X		44	22	1	3	5
19.9	23.4		26.5	29.2	124	X		44	28		3	
20.4	24.0	39.0	27.2	30.0	200	X	X	28	28	1	3	
20.7	24.3		27.6	30.4	93	X		48	22	1	3	5
21.4	25.2	40.9	28.6	31.5	210	X	X	28	28			5
22.5	26.4		29.9	33.0	140	X		44	28	1		
23.3	27.3		31.0	34.2	145	X		44	28			5
25.3	29.8		33.7	37.2	124	X		44	22		3	
27.6	32.5		36.8	40.6	124	X		48	22		3	
28.6	33.6		38.1	42.0	140	X		44	22	1		
29.6	34.8		39.4	43.5	145	X		44	22			5
31.2	36.7		41.5	45.8	140	X		48	22	1		
32.1	37.7		42.7	47.1	200	X		44	28	1	3	
32.3	38.0		43.0	47.5	145	X		48	22			5
33.7	39.6		44.9	49.5	210	X		44	28			5
40.9	48.0		54.4	60.0	200	X		44	22	1	3	
42.9	50.4		57.1	63.0	210	X		44	22			5
44.6	52.4		59.3	65.5	200	X		48	22	1	3	
46.8	55.0		62.3	68.7	210	X		48	22			5

End Drive Belt Speed

Variable Speed												
2200 Belt	2200 Precision Move	2200 LPZ	2200 Modular Belt		RPM From Gearmotor at 50 Hz	Mount Package		Pulley Kit		Gearmotor Chart		
			Micropitch Belts 01 and 02	Metalworking Belts 30 thru 42		Top & Bottom	Side	Drive Pulley	Driven Pulley	Light Load	Standard Load	Heavy Load
Meter/min	Meter/min	Meter/min	Meter/min	Meter/min								
0.9 - 3.2	1.1 - 3.9	1.8 - 6.3	1.2 - 4.3	1.4 - 4.9	23	X	X	28	28			5
1.0 - 3.6	1.2 - 4.2	2.0 - 6.9	1.4 - 4.8	1.5 - 5.3	25	X	X	28	28	1	3	
1.5 - 5.2	1.7 - 6.0		2.0 - 6.9	2.2 - 7.6	23	X		44	28			5
1.6 - 5.6	1.9 - 6.6		2.1 - 7.4	2.4 - 8.3	25	X		44	28	1	3	
1.9 - 6.6	2.2 - 7.7		2.5 - 8.8	2.8 - 9.7	23	X		44	22			5
1.9 - 6.7	2.2 - 7.8	3.7 - 12.9	2.6 - 9.0	2.8 - 9.9	47	X	X	28	28	1	3	5
2.0 - 7.1	2.4 - 8.4		2.7 - 9.5	3.0 - 10.5	25	X		44	22	1	3	
2.0 - 7.1	2.4 - 8.4		2.7 - 9.5	3.0 - 10.5	23	X		48	22			5
2.2 - 7.8	2.6 - 9.1		3.0 - 10.4	3.3 - 11.5	25	X		48	22	1	3	
2.7 - 9.5	3.2 - 11.2	5.2 - 18.3	3.6 - 12.7	4.0 - 14.1	67	X	X	28	28			5
2.8 - 9.9	3.4 - 11.8	5.4 - 19.0	3.8 - 13.3	4.2 - 14.7	70	X	X	28	28	1	3	
3.0 - 10.5	3.6 - 12.5		4.0 - 14.0	4.4 - 15.5	47	X		44	28	1	3	5
3.8 - 13.3	4.5 - 15.7	7.2 - 25.3	5.0 - 17.6	5.6 - 19.6	93	X	X	28	28	1	3	5
3.8 - 13.4	4.5 - 15.8		5.1 - 17.9	5.6 - 19.7	47	X		44	22	1	3	5
4.2 - 14.7	4.9 - 17.2		5.6 - 19.5	6.2 - 21.6	47	X		48	22	1	3	5
4.3 - 15.1	5.0 - 17.6		5.7 - 20.0	6.3 - 22.1	67	X		44	28			5
4.5 - 15.7	5.3 - 18.5		6.0 - 21.0	6.6 - 23.1	70	X		44	28	1	3	
5.1 - 17.8	6.0 - 20.9	9.7 - 33.9	6.8 - 23.7	7.4 - 26.0	124	X	X	28	28		3	
5.5 - 19.2	6.4 - 22.5		7.3 - 25.5	8.0 - 28.1	67	X		44	22			5
5.7 - 20.0	6.7 - 23.5	10.9 - 38.2	7.6 - 26.6	8.4 - 29.4	140	X	X	28	28	1		
5.7 - 20.0	6.7 - 23.5		7.6 - 26.6	8.4 - 29.4	70	X		44	22	1	3	
5.9 - 20.7	7.0 - 24.4	11.3 - 39.5	7.9 - 27.6	8.7 - 30.5	145	X	X	28	28			5
6.0 - 20.9	7.0 - 24.5		8.0 - 27.9	8.8 - 30.7	93	X		44	28	1	3	5
6.0 - 20.9	7.0 - 24.5		8.0 - 27.9	8.8 - 30.7	67	X		48	22			5
6.2 - 21.8	7.3 - 25.6		8.3 - 29.1	9.2 - 32.1	70	X		48	22	1	3	
7.6 - 26.6	8.9 - 31.2		10.1 - 35.4	11.2 - 39.1	93	X		44	22	1	3	5
8.0 - 27.9	9.4 - 32.8		10.6 - 37.1	11.7 - 40.9	124	X		44	28		3	
8.2 - 28.6	9.6 - 33.6	15.6 - 54.6	10.9 - 38.1	12.0 - 42.0	200	X	X	28	28	1	3	
8.3 - 29.0	9.7 - 34.0		11.0 - 38.6	12.2 - 42.6	93	X		48	22	1	3	5
8.6 - 30.0	10.1 - 35.3	16.4 - 57.3	11.4 - 40.0	12.6 - 44.1	210	X	X	28	28			5
9.0 - 31.5	10.6 - 37.0		12.0 - 41.9	13.2 - 46.2	140	X		44	28	1		
9.3 - 32.6	10.9 - 38.2		12.4 - 43.4	13.7 - 47.9	145	X		44	28			5
10.1 - 35.4	11.9 - 41.7		13.5 - 47.2	14.9 - 52.1	124	X		44	22		3	
11.0 - 38.6	13.0 - 45.5		14.7 - 51.5	16.2 - 56.8	124	X		48	22		3	
11.4 - 40.0	13.4 - 47.0		15.2 - 53.3	16.8 - 58.8	140	X		44	22	1		
11.8 - 41.4	13.9 - 48.7		15.8 - 55.2	17.4 - 60.9	145	X		44	22			5
12.5 - 43.7	14.7 - 51.4		16.6 - 58.1	18.3 - 64.1	140	X		48	22	1		
12.8 - 44.9	15.1 - 52.8		17.1 - 59.8	18.8 - 65.9	200	X		44	28	1	3	
12.9 - 45.2	15.2 - 53.2		17.2 - 60.2	19.0 - 66.5	145	X		48	22			5
13.5 - 47.2	15.8 - 55.4		18.0 - 62.9	19.8 - 69.3	210	X		44	28			5
16.4 - 57.3	19.2 - 67.2		21.8 - 76.2	24.0 - 84.0	200	X		44	22	1	3	
17.2 - 60.1	20.2 - 70.6		22.8 - 79.9	25.2 - 88.2	210	X		44	22			5
17.8 - 62.4	21.0 - 73.4		23.7 - 83.0	26.2 - 91.7	200	X		48	22	1	3	
18.7 - 65.5	22.0 - 77.0		24.9 - 87.2	27.5 - 96.2	210	X		48	22			5

2200 Series Motor Mounting Package

2 2 M Z B G S L A - P P P P

- Pulley Kit: Top and Bottom '2828, '4428, '4422, '4822
Flush '2816, '4416, '4816

- Mount Position: A, B, C, D

- Position: A, B, C, D

- Load Type: L = Light, S = Standard, H = Heavy

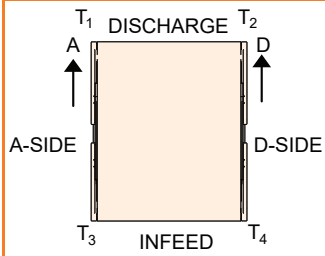
- Gearmotor Type: G = European 90 Degree

- Mount Style: B = Bottom, S = Side, T = Top, F = Flush Bottom
1 = Vertical Mount, 2 = Horizontal Mount

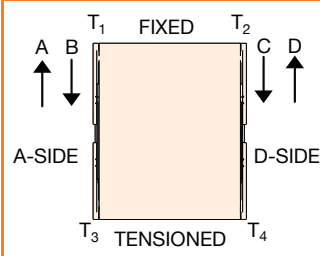
- Conveyor Type: E=End Drive, C=Center Drive, M=Mid Drive, Z= LPZ

- Documentation Language: M = English only

MODULAR BELT DRIVE SHAFT POSITION

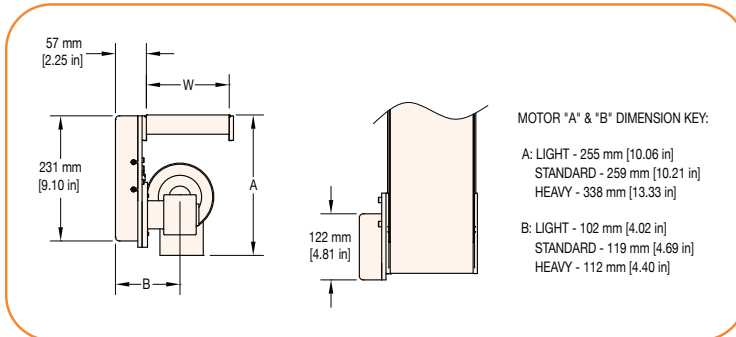


BELT DRIVE SHAFT POSITION

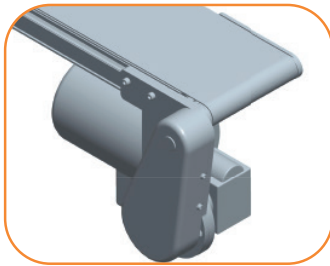


Since belts are being pulled, positions A & D are preferred. Pushing belts (B & C) reduce conveyor load capacity by approximately 66%.

Flush Bottom Mount Package, 90° Gearmotor



Standard Load



Product Applications/Uses:

- Wide product transfers
- Product stops/escapements
- Product detection
- Lift stations
- Sheet handling

Flush Mount End Drive Belt Speed

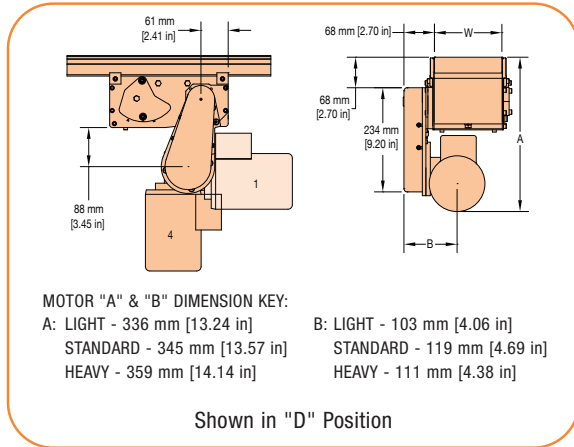
Fixed Speed										
2200 Belt	2200 Precision Move	2200 Modular Belt			RPM From Gearmotor	Pulley Kit		Gearmotor Chart		
		2200 LPZ	Micropitch Belts 01 and 02	Metalworking Belts 30 thru 42		Drive Pulley	Driven Pulley	Light Load	Standard Load	Heavy Load
Meter/min	Meter/min	Meter/min	Meter/min	Meter/min						
4.1	4.8	7.8	5.5	6.0	23	28	16			5
4.5	5.3	8.5	6.0	6.6	25	28	16	1	3	
6.5	7.6		8.6	9.5	23	44	16			5
7.0	8.3		9.4	10.3	25	44	16	1	3	
7.0	8.3		9.4	10.4	23	48	16			5
7.7	9.0		10.2	11.3	25	48	16	1	3	
8.4	9.9	16.0	11.2	12.3	47	28	16	1	3	5
12.0	14.1	22.8	15.9	17.6	67	28	16			5
12.5	14.7	23.9	16.7	18.4	70	28	16	1	3	
13.2	15.5		17.6	19.4	47	44	16	1	3	5
14.4	16.9		19.2	21.2	47	48	16	1	3	5
16.6	19.5	31.7	22.1	24.4	93	28	16	1	3	5
18.8	22.1		25.1	27.6	67	44	16			5
19.7	23.1		26.2	28.9	70	44	16	1	3	
20.5	24.1		27.3	30.2	67	48	16			5
21.4	25.2		28.6	31.5	70	48	16	1	3	
22.2	26.0	42.3	29.5	32.6	124	28	16		3	
25.0	29.4	47.7	33.3	36.8	140	28	16	1		
25.9	30.5	49.4	34.5	38.1	145	28	16			5
26.1	30.7		34.8	38.4	93	44	16	1	3	5
28.5	33.5		37.9	41.9	93	48	16	1	3	5
34.8	40.9		46.4	51.2	124	44	16		3	
35.7	42.0	68.2	47.6	52.5	200	28	16	1	3	
37.5	44.1	71.6	50.0	55.1	210	28	16			5
38.0	44.6		50.6	55.8	124	48	16		3	
39.3	46.2		52.4	57.8	140	44	16	1		
40.7	47.9		54.2	59.8	145	44	16			5
42.9	50.4		57.1	63.0	140	48	16	1		
44.4	52.2		59.2	65.3	145	48	16			5
56.2	66.0		74.8	82.5	200	44	16	1	3	
59.0	69.3		78.5	86.6	210	44	16			5
61.3	72.0		81.6	90.0	200	48	16	1	3	
64.3	75.6		85.7	94.5	210	48	16			5

Flush Mount End Drive Belt Speed

Variable Speed										
2200 Belt	2200 Precision Move	2200 Modular Belt			RPM From Gearmotor	Pulley Kit		Gearmotor Chart		
		2200 LPZ	Micropitch Belts 01 and 02	Metalworking Belts 30 thru 42		Drive Pulley	Driven Pulley	Light Load	Standard Load	Heavy Load
Meter/min	Meter/min	Meter/min	Meter/min	Meter/min						
1.6 - 5.7	1.9 - 6.7	3.1 - 10.9	2.2 - 7.7	2.4 - 8.4	23	28	16			5
1.8 - 6.3	2.1 - 7.4	3.4 - 11.9	2.4 - 8.4	2.6 - 9.2	25	28	16	1	3	
2.6 - 9.1	3.0 - 10.6		3.4 - 12.0	3.8 - 13.3	23	44	16			5
2.8 - 9.8	3.3 - 11.6		3.8 - 13.2	4.1 - 14.4	25	44	16	1	3	
2.8 - 9.8	3.3 - 11.6		3.8 - 13.2	4.2 - 14.6	23	48	16			5
3.1 - 10.8	3.6 - 12.6		4.1 - 14.3	4.5 - 15.8	25	48	16	1	3	
3.4 - 11.8	4.0 - 13.9	6.4 - 22.4	4.5 - 15.7	4.9 - 17.2	47	28	16	1	3	5
4.8 - 16.8	5.6 - 19.7	9.1 - 31.9	6.4 - 22.3	7.0 - 24.6	67	28	16			5
5.0 - 17.5	5.9 - 20.6	9.6 - 33.5	6.7 - 23.4	7.4 - 25.8	70	28	16	1	3	
5.3 - 18.5	6.2 - 21.7		7.0 - 24.6	7.8 - 27.2	47	44	16	1	3	5
5.8 - 20.2	6.8 - 23.7		7.7 - 26.9	8.5 - 29.7	47	48	16	1	3	5
6.6 - 23.2	7.8 - 27.3	12.7 - 44.4	8.8 - 30.9	9.8 - 34.2	93	28	16	1	3	5
7.5 - 26.3	8.8 - 30.9		10.0 - 35.1	11.0 - 38.6	67	44	16			5
7.9 - 27.6	9.2 - 32.3		10.5 - 36.7	11.6 - 40.5	70	44	16	1	3	
8.2 - 28.7	9.6 - 33.7		10.9 - 38.2	12.1 - 42.3	67	48	16			5
8.6 - 30.0	10.1 - 35.3		11.4 - 40.0	12.6 - 44.1	70	48	16	1	3	
8.9 - 31.1	10.4 - 36.4	16.9 - 59.2	11.8 - 41.3	13.0 - 45.6	124	28	16		3	
10.0 - 35.0	11.8 - 41.2	19.1 - 66.8	13.3 - 46.6	14.7 - 51.5	140	28	16	1		
10.4 - 36.3	12.2 - 42.7	19.8 - 69.2	13.8 - 48.3	15.2 - 53.3	145	28	16			5
10.4 - 36.5	12.3 - 43.0		13.9 - 48.7	15.4 - 53.8	93	44	16	1	3	5
11.4 - 39.9	13.4 - 46.9		15.2 - 53.1	16.8 - 58.7	93	48	16	1	3	5
13.9 - 48.7	16.4 - 57.3		18.6 - 65.0	20.5 - 71.7	124	44	16		3	
14.3 - 50.0	16.8 - 58.8	27.3 - 95.5	19.0 - 66.6	21.0 - 73.5	200	28	16	1	3	
15.0 - 52.5	17.6 - 61.7	28.6 - 100.2	20.0 - 70.0	22.0 - 77.1	210	28	16			5
15.2 - 53.2	17.8 - 62.4		20.2 - 70.8	22.3 - 78.1	124	48	16		3	
15.7 - 55.0	18.5 - 64.7		21.0 - 73.4	23.1 - 80.9	140	44	16	1		
16.3 - 57.0	19.2 - 67.1		21.7 - 75.9	23.9 - 83.7	145	44	16			5
17.2 - 60.1	20.2 - 70.6		22.8 - 79.9	25.2 - 88.2	140	48	16	1		
17.8 - 62.2	20.9 - 73.1		23.7 - 82.9	26.1 - 91.4	145	48	16			5
22.5 - 78.7	26.4 - 92.4		29.9 - 104.7	33.0 - 115.5	200	44	16	1	3	
23.6 - 82.6	27.7 - 97.0		31.4 - 109.9	34.6 - 121.2	210	44	16			5
24.5 - 85.8	28.8 - 100.8		32.6 - 114.2	36.0 - 126.0	200	48	16	1	3	
25.7 - 90.0	30.2 - 105.8		34.3 - 120.0	37.8 - 132.3	210	48	16			5

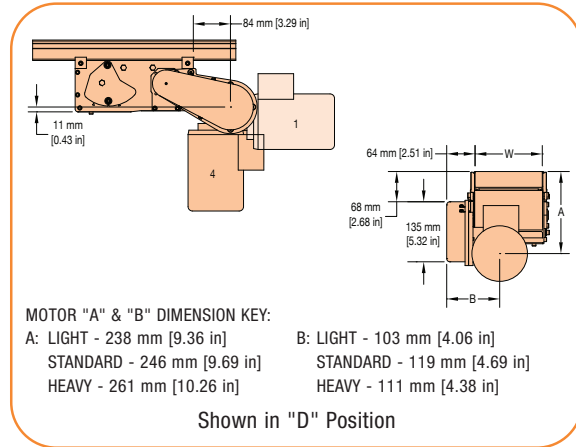
Center Drive

TYPE 1 - Vertical Mount



90° Gearmotor

TYPE 2 - Horizontal Mount



90° Gearmotor

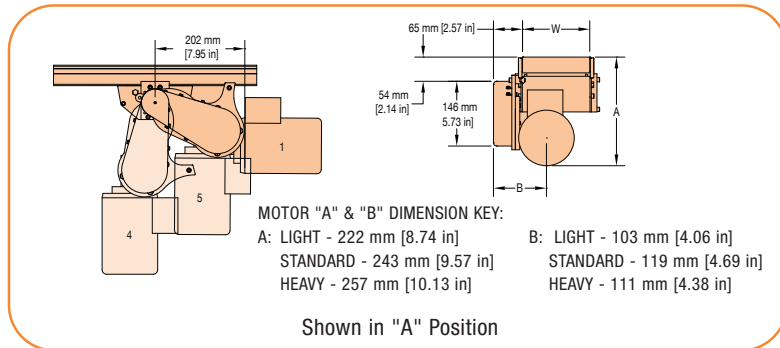
Standard position shown, can be reconfigured to alternative phantom position.

TYPE 2 recommended for tight spaces and allows for easy access to the drive module.

* Gearmotor not included in mounting package, see page 49-50 for gearmotor options. **Dim = mm (in)**

See page 43 for part number chart.

Mid Drive



90° Gearmotor

Standard position shown, can be reconfigured to alternative phantom position.
Dim = mm (in)

Center & Mid Drive Belt Speed

Fixed Speed											
2200 Belt	2200 Precision Move	2200 Modular Belt		RPM From Gearmotor	Mount Package		Pulley Kit		Gearmotor Chart		
		Micropitch Belts 01 and 02	Metalworking Belts 30 thru 42		Bottom	Side	Drive Pulley	Driven Pulley	Light Load	Standard Load	Heavy Load
Meter/min	Meter/min	Meter/min	Meter/min								
2.3	2.8	3.1	3.5	23	X	X	28	28			5
2.6	3.0	3.4	3.8	25	X	X	28	28	1	3	
3.7	4.3	4.9	5.4	23	X		44	28			5
4.0	4.7	5.3	5.9	25	X		44	28	1	3	
4.7	5.5	6.3	6.9	23	X		44	22			5
4.8	5.6	6.4	7.1	47	X	X	28	28	1	3	5
5.1	6.0	6.8	7.5	25	X		44	22	1	3	
5.1	6.0	6.8	7.5	23	X		48	22			5
5.6	6.5	7.4	8.2	25	X		48	22	1	3	
6.8	8.0	9.1	10.1	67	X	X	28	28			5
7.1	8.4	9.5	10.5	70	X	X	28	28	1	3	
7.5	8.9	10.0	11.1	47	X		44	28	1	3	5
9.5	11.2	12.6	14.0	93	X	X	28	28	1	3	5
9.6	11.3	12.8	14.1	47	X		44	22	1	3	5
10.5	12.3	13.9	15.4	47	X		48	22	1	3	5
10.8	12.6	14.3	15.8	67	X		44	28			5
11.2	13.2	15.0	16.5	70	X		44	28	1	3	
12.7	14.9	16.9	18.6	124	X	X	28	28		3	
13.7	16.1	18.2	20.1	67	X		44	22			5
14.3	16.8	19.0	21.0	140	X	X	28	28	1		
14.3	16.8	19.0	21.0	70	X		44	22	1	3	
14.8	17.4	19.7	21.8	145	X	X	28	28			5
14.9	17.5	19.9	21.9	93	X		44	28	1	3	5
14.9	17.5	19.9	21.9	67	X		48	22			5
15.6	18.3	20.8	22.9	70	X		48	22	1	3	
19.0	22.3	25.3	27.9	93	X		44	22	1	3	5
19.9	23.4	26.5	29.2	124	X		44	28		3	
20.4	24.0	27.2	30.0	200	X	X	28	28	1	3	
20.7	24.3	27.6	30.4	93	X		48	22	1	3	5
21.4	25.2	28.6	31.5	210	X	X	28	28			5
22.5	26.4	29.9	33.0	140	X		44	28	1		
23.3	27.3	31.0	34.2	145	X		44	28			5
25.3	29.8	33.7	37.2	124	X		44	22		3	
27.6	32.5	36.8	40.6	124	X		48	22		3	
28.6	33.6	38.1	42.0	140	X		44	22	1		
29.6	34.8	39.4	43.5	145	X		44	22			5
31.2	36.7	41.5	45.8	140	X		48	22	1		
32.1	37.7	42.7	47.1	200	X		44	28	1	3	
32.3	38.0	43.0	47.5	145	X		48	22			5
33.7	39.6	44.9	49.5	210	X		44	28			5
40.9	48.0	54.4	60.0	200	X		44	22	1	3	
42.9	50.4	57.1	63.0	210	X		44	22			5
44.6	52.4	59.3	65.5	200	X		48	22	1	3	
46.8	55.0	62.3	68.7	210	X		48	22			5

Center & Mid Drive Belt Speed

Variable Speed											
2200 Belt	2200 Precision Move	2200 Modular Belt		RPM From Gearmotor at 50 Hz	Mount Package		Pulley Kit		Gearmotor Chart		
		Micropitch Belts 01 and 02	Metalworking Belts 30 thru 42		Bottom	Side	Drive Pulley	Driven Pulley	Light Load	Standard Load	Heavy Load
0.9 - 3.2	1.1 - 3.9	1.2 - 4.3	1.4 - 4.9	23	X	X	28	28			5
1.0 - 3.6	1.2 - 4.2	1.4 - 4.8	1.5 - 5.3	25	X	X	28	28	1	3	
1.5 - 5.2	1.7 - 6.0	2.0 - 6.9	2.2 - 7.6	23	X		44	28			5
1.6 - 5.6	1.9 - 6.6	2.1 - 7.4	2.4 - 8.3	25	X		44	28	1	3	
1.9 - 6.6	2.2 - 7.7	2.5 - 8.8	2.8 - 9.7	23	X		44	22			5
1.9 - 6.7	2.2 - 7.8	2.6 - 9.0	2.8 - 9.9	47	X	X	28	28	1	3	5
2.0 - 7.1	2.4 - 8.4	2.7 - 9.5	3.0 - 10.5	25	X		44	22	1	3	
2.0 - 7.1	2.4 - 8.4	2.7 - 9.5	3.0 - 10.5	23	X		48	22			5
2.2 - 7.8	2.6 - 9.1	3.0 - 10.4	3.3 - 11.5	25	X		48	22	1	3	
2.7 - 9.5	3.2 - 11.2	3.6 - 12.7	4.0 - 14.1	67	X	X	28	28			5
2.8 - 9.9	3.4 - 11.8	3.8 - 13.3	4.2 - 14.7	70	X	X	28	28	1	3	
3.0 - 10.5	3.6 - 12.5	4.0 - 14.0	4.4 - 15.5	47	X		44	28	1	3	5
3.8 - 13.3	4.5 - 15.7	5.0 - 17.6	5.6 - 19.6	93	X	X	28	28	1	3	5
3.8 - 13.4	4.5 - 15.8	5.1 - 17.9	5.6 - 19.7	47	X		44	22	1	3	5
4.2 - 14.7	4.9 - 17.2	5.6 - 19.5	6.2 - 21.6	47	X		48	22	1	3	5
4.3 - 15.1	5.0 - 17.6	5.7 - 20.0	6.3 - 22.1	67	X		44	28			5
4.5 - 15.7	5.3 - 18.5	6.0 - 21.0	6.6 - 23.1	70	X		44	28	1	3	
5.1 - 17.8	6.0 - 20.9	6.8 - 23.7	7.4 - 26.0	124	X	X	28	28		3	
5.5 - 19.2	6.4 - 22.5	7.3 - 25.5	8.0 - 28.1	67	X		44	22			5
5.7 - 20.0	6.7 - 23.5	7.6 - 26.6	8.4 - 29.4	140	X	X	28	28	1		
5.7 - 20.0	6.7 - 23.5	7.6 - 26.6	8.4 - 29.4	70	X		44	22	1	3	
5.9 - 20.7	7.0 - 24.4	7.9 - 27.6	8.7 - 30.5	145	X	X	28	28			5
6.0 - 20.9	7.0 - 24.5	8.0 - 27.9	8.8 - 30.7	93	X		44	28	1	3	5
6.0 - 20.9	7.0 - 24.5	8.0 - 27.9	8.8 - 30.7	67	X		48	22			5
6.2 - 21.8	7.3 - 25.6	8.3 - 29.1	9.2 - 32.1	70	X		48	22	1	3	
7.6 - 26.6	8.9 - 31.2	10.1 - 35.4	11.2 - 39.1	93	X		44	22	1	3	5
8.0 - 27.9	9.4 - 32.8	10.6 - 37.1	11.7 - 40.9	124	X		44	28		3	
8.2 - 28.6	9.6 - 33.6	10.9 - 38.1	12.0 - 42.0	200	X	X	28	28	1	3	
8.3 - 29.0	9.7 - 34.0	11.0 - 38.6	12.2 - 42.6	93	X		48	22	1	3	5
8.6 - 30.0	10.1 - 35.3	11.4 - 40.0	12.6 - 44.1	210	X	X	28	28			5
9.0 - 31.5	10.6 - 37.0	12.0 - 41.9	13.2 - 46.2	140	X		44	28	1		
9.3 - 32.6	10.9 - 38.2	12.4 - 43.4	13.7 - 47.9	145	X		44	28			5
10.1 - 35.4	11.9 - 41.7	13.5 - 47.2	14.9 - 52.1	124	X		44	22		3	
11.0 - 38.6	13.0 - 45.5	14.7 - 51.5	16.2 - 56.8	124	X		48	22		3	
11.4 - 40.0	13.4 - 47.0	15.2 - 53.3	16.8 - 58.8	140	X		44	22	1		
11.8 - 41.4	13.9 - 48.7	15.8 - 55.2	17.4 - 60.9	145	X		44	22			5
12.5 - 43.7	14.7 - 51.4	16.6 - 58.1	18.3 - 64.1	140	X		48	22	1		
12.8 - 44.9	15.1 - 52.8	17.1 - 59.8	18.8 - 65.9	200	X		44	28	1	3	
12.9 - 45.2	15.2 - 53.2	17.2 - 60.2	19.0 - 66.5	145	X		48	22			5
13.5 - 47.2	15.8 - 55.4	18.0 - 62.9	19.8 - 69.3	210	X		44	28			5
16.4 - 57.3	19.2 - 67.2	21.8 - 76.2	24.0 - 84.0	200	X		44	22	1	3	
17.2 - 60.1	20.2 - 70.6	22.8 - 79.9	25.2 - 88.2	210	X		44	22			5
17.8 - 62.4	21.0 - 73.4	23.7 - 83.0	26.2 - 91.7	200	X		48	22	1	3	
18.7 - 65.5	22.0 - 77.0	24.9 - 87.2	27.5 - 96.2	210	X		48	22			5