



# FlexMove®

## HELICAL PLAIN BEND CONVEYORS



- Reduces conveyor footprint saving valuable floor space
- Allows incline or decline through corners and straights
- Patented side roller chain reduces corner friction
- Provides capability for product buffering in corners
- Ideal for incline or decline in tight spaces

### Features & Specifications

- Available on FlexMove Aluminum Conveyors: FS (65 mm), FM (85 mm), FC (105 mm), FL (150 mm), FU (180 mm) and FV (260 mm)
- Minimum 500 mm radius helical bend corner
- Corner Angles: 45, 90, 135, 180, 225, 270 and 360 degrees
- Incline and decline angles up to 12 degrees
  - Plain chain is capable of incline / decline angles up to 7 degrees
  - Friction top chain is recommended for angles of 7 to 12 degrees

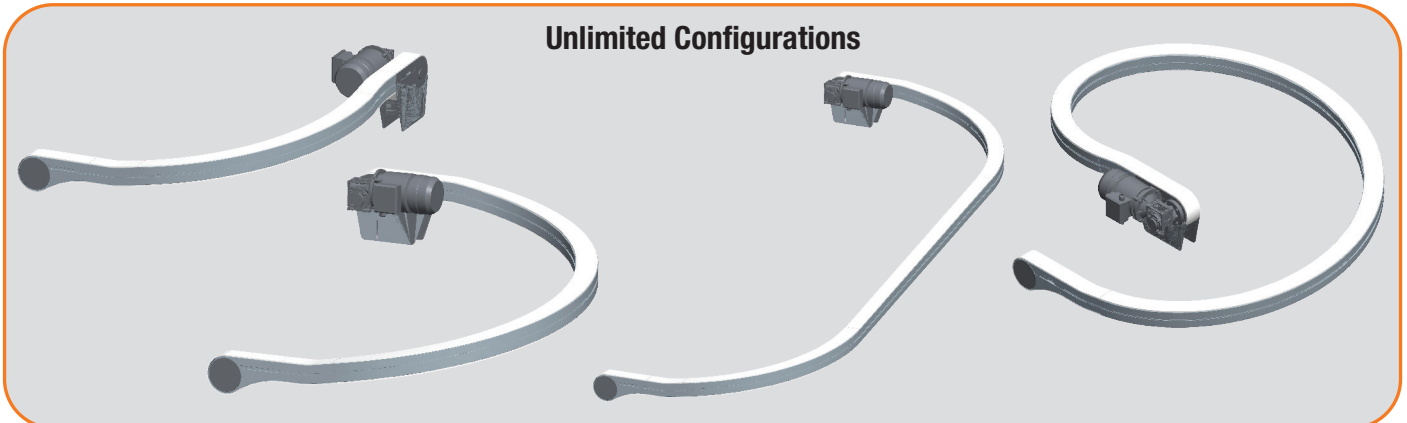


Patented Chain Design

### Chain Types

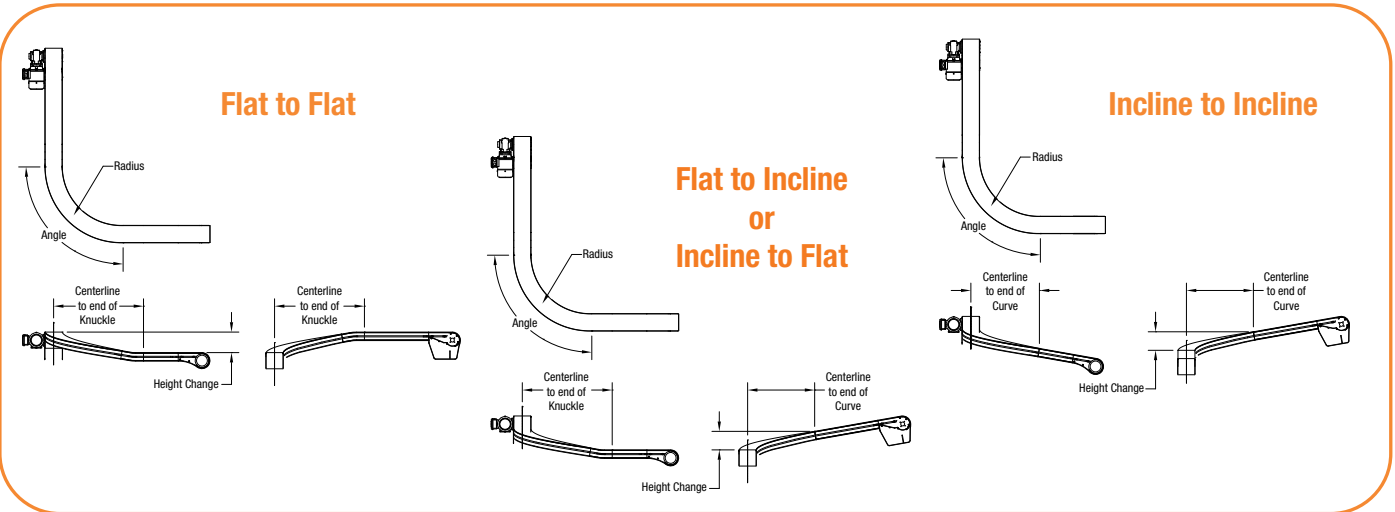
- (2) Conveyor Chain types for maximum capability; Bearing Chain and Non-Bearing Chain

	Bearing Chain	Non-Bearing Chain
Conveyor Widths	85,180, 260 mm	65, 85, 105, 150, 180 and 260 mm
Maximum curves	Up to 4 curves	Up to 2 curves
Maximum angle	A total of 720 degrees	A total of 360 degrees
Maximum length	21.3 m (70 ft)	12.2 m (40 ft)
Maximum speed	Up to 55/min (180 ft/min)	Up to 55 m/min (180 ft/min)
Load Capacity	136 kg (300 lbs)	136 kg (300 lbs)

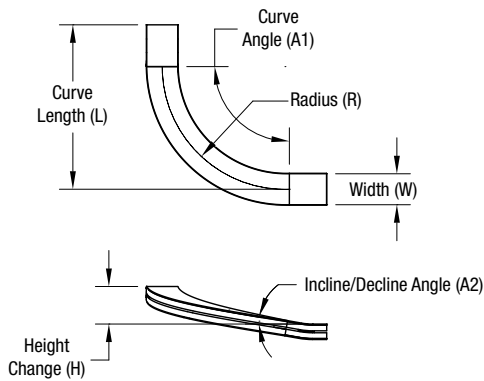


Unlimited Configurations

## Curve Layout Options:



## Dimensions



W* = 65, 85, 105, 150, 180, 260
R = 500, 700, 1000 mm
A1 = 45 to 360 degrees
A2 = 3 to 12 degrees
H = Configuration dependent, contact factory
L = Configuration dependent, contact factory

\* Bearing chain in 85, 180, and 260 mm widths only

## Transforming Conveyor Automation

### Dorner – North & South America

#### Dorner – U.S.A.

##### Headquarters

975 Cottonwood Ave  
Hartland, WI 53029, USA  
(800) 397-8664  
(262) 367-7600  
info@dorner.com

#### Dorner – Canada

100-5515 North Service Road  
Burlington, Ontario L7L 6G6  
Canada  
(289) 208-7306  
info@dorner.com

#### Dorner – Latin America

Carretera a Nogales #5297,  
Nave 11. Parque Industrial Nogales  
Zapopan, Jalisco C.P. 45222  
Mexico  
+52.33.30037400  
info.latinamerica@dorner.com



### Dorner – Europe

#### Dorner – Germany

Karl-Heinz-Beckurts-Straße 7  
52428 Jülich,  
Germany  
+49 (0) 2461/93767-0  
info.europe@dorner.com

#### Dorner – France

8 rue des Frères Caudron  
78140 Velizy-Villacoublay  
France  
+33 (0)1 84 73 24 27  
info.france@dorner.com

### Dorner – Asia

128 Jalan Permatang Damar Laut, Bayan Lepas 11960  
Penang, Malaysia  
+604-626-2948 | info.asia@dorner.com



[www.dornerconveyors.com](http://www.dornerconveyors.com)