



AquaGard[®] LP Sanitary End Drive Conveyors

Installation, Maintenance and Parts Manual



For other service manuals visit our website at:
www.dornerconveyors.com/manuals-literature

Record Conveyor Serial Number Here

Table of Contents

Introduction	3	Return Rollers for Flat Belt Conveyors	
Warnings – General Safety	4	70 mm - 152 mm & Cleated Belt Conveyors	40
Product Description	5	Return Rollers for Flat Belt Conveyors	
Specifications	6	Over 152 mm Wide	41
Models	6	Table Top Mounting Brackets	
Flat Belt Conveyor	6	For Flat Belt Conveyors	42
Cleated Belt Conveyor	6	Table Top Mounting Brackets	
Conveyor Supports:	7	For Cleated Belt Conveyors	43
Specifications	7	Configuring Conveyor Belt Part Number	44
Fastener Torque Specifications	7	Flat Belt Part Number Configuration	44
Cleated Belt Part Number Configuration	44	Cleated Belt Part Number Configuration	44
Installation	8	Notes	45
Required Tools	8	Return Policy	46
Recommended Installation Sequence	8		
Conveyors Up to 2998 mm (118")	8		
Conveyors Longer than 2998 mm (118")	8		
Connecting Components	8		
Belt Installation	9		
Table Top Mounting Bracket Installation	10		
Stand Installation	11		
Belt Returns	12		
Cleated Belt and Flat Belt Returns			
70 mm - 152 mm Wide	12		
Flat Belt Returns over 152 mm Wide	14		
Guide Installation	16		
Fixed Guides	16		
Adjustable Guides	17		
Drive Package Installation	17		
Preventive Maintenance and Adjustment	18		
Required Tools	18		
Checklist	18		
Cleaning	18		
Lubrication	18		
Conveyor Bearings	18		
Return Rollers	18		
Maintaining the Conveyor Belt	18		
Troubleshooting	18		
Conveyor Belt Replacement	19		
Conveyor Belt Tensioning	21		
Conveyor Belt Tracking	21		
Pulley Replacement	22		
A - Drive Pulley	22		
B - Idler Pulley	23		
Bearing Replacement for Drive or Idler Pulley	24		
Bearing Removal	25		
Bearing Installation	25		
Belt Return Maintenance	26		
Cleated Belt and Flat Belt Returns			
70 mm - 152 mm Wide	26		
Flat Belt Returns over 152 mm Wide	27		
Service Parts	29		
End Drive Tail	29		
Idler Tail	30		
Frame	31		
25 mm High Sides	32		
75 mm High Sides	33		
152 mm High Sides	34		
Fully Adjustable Guides	35		
Tool-Less Fully Adjustable Guides	36		
25 mm Cleated High Sides	37		
75 mm Cleated High Sides	38		
152 mm Cleated High Sides	39		

 **CAUTION**


Some illustrations may show guards removed. DO NOT operate equipment without guards.

Upon receipt of shipment:

- Compare shipment with packing slip. Contact factory regarding discrepancies.
- Inspect packages for shipping damage. Contact carrier regarding damage. Accessories may be shipped loose.
- See accessory instructions for installation.

The Dorner Limited Warranty applies.

Dorner reserves the right to make changes at any time without notice or obligation.

Dorner has convenient, pre-configured kits of Critical Service Parts for all conveyor products. These time saving kits are easy to order, designed for fast installation, and guarantee you will have what you need when you need it. Recommended Critical Service Parts and Kits are marked in the Service Parts section of this manual with the Key Service Parts symbol .

Warnings – General Safety

⚠ WARNING

The safety alert symbol, black triangle with white exclamation, is used to alert you to potential personal injury hazards.

⚠ DANGER



SEVERE HAZARD!
KEEP OFF CONVEYORS. Climbing, sitting, walking or riding on conveyor will result in death or serious injury.

⚠ WARNING




SEVERE HAZARD!
LOCK OUT POWER before removing guards or performing maintenance. Exposed moving parts can cause serious injury.

⚠ WARNING




BURN HAZARD!
DO NOT TOUCH the motor while operating, or shortly after being turned off. Motors may be HOT and can cause serious burn injuries.

⚠ WARNING



PUNCTURE HAZARD!
Handle drive shaft keyway with care. It may be sharp and could puncture the skin, causing serious injury.


⚠ DANGER



EXPLOSION HAZARD!

- DO NOT OPERATE CONVEYORS IN AN EXPLOSIVE ENVIRONMENT. The electric gearmotor generates heat and could ignite combustible vapors.
- Failure to comply will result in death or serious injury.


⚠ WARNING



CRUSH HAZARD!

- DO NOT place hands or fingers inside the conveyor while it is running.
- DO NOT wear loose garments while operating the conveyor. Loose garments can become caught up in the conveyor.
- Failure to comply could result in serious injury.


⚠ WARNING



CRUSH HAZARD!

- SUPPORT CONVEYOR SECTIONS PRIOR TO LOOSENING STAND HEIGHT OR ANGLE ADJUSTMENT SCREWS.
- Loosening stand height or angle adjustment screws may cause conveyor sections to drop down, causing serious injury.

⚠ WARNING



SEVERE HAZARD!

- Dorner cannot control the physical installation and application of conveyors. Taking protective measures is the responsibility of the user.
- When conveyors are used in conjunction with other equipment or as part of a multiple conveyor system, CHECK FOR POTENTIAL PINCH POINTS and other mechanical hazards before system start-up.
- Failure to comply could result in serious injury.

Product Description

Refer to **(Figure 1)** for typical conveyor components.

1	Conveyor
2	Gearmotor
3	Controller
4	Belt (Cleated Belt Shown)
5	Support Stands
6	End Drive
7	Idler End
8	Guides

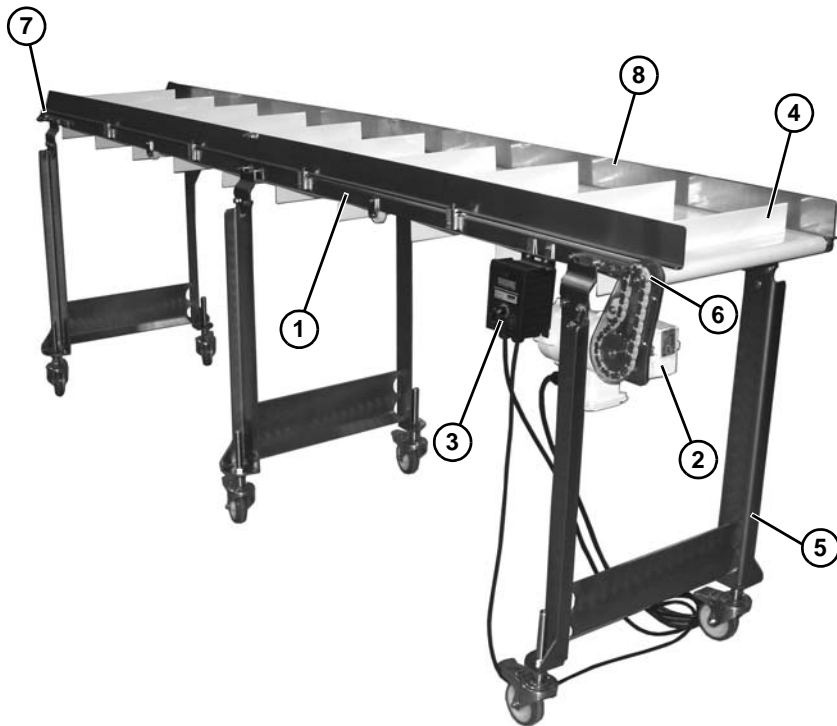
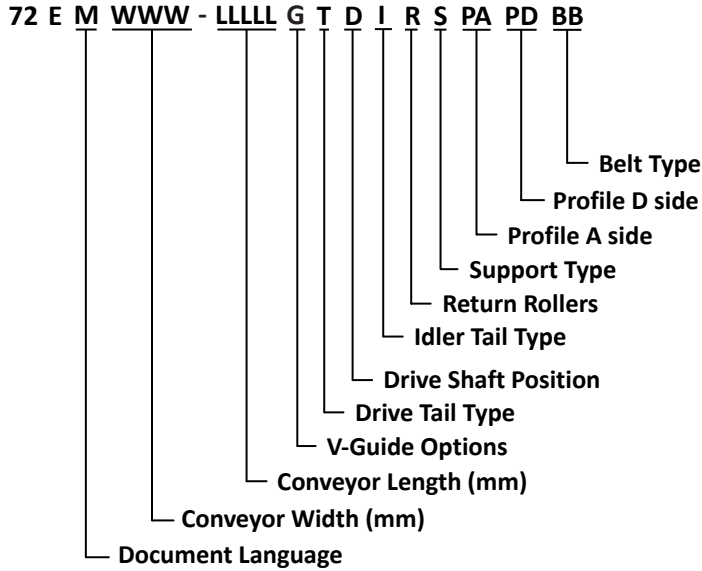


Figure 1

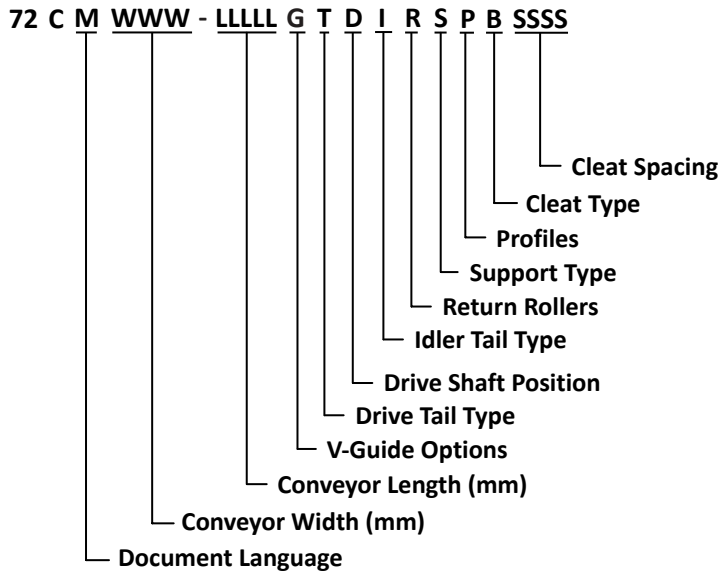
Specifications

Models

Flat Belt Conveyor



Cleated Belt Conveyor



See "Engineering" Manual for details.

Conveyor Supports:

Maximum Distances:

- 1 = Support Stand on Drive End = 188 mm (7.4")
- 2 = Support Stand on Idler End = 156 mm (6.1")
- 3 = Between Support Stands = 1400 mm (55.1")**
- ** For conveyors longer than 2998 mm (118"), install support at frame joint.

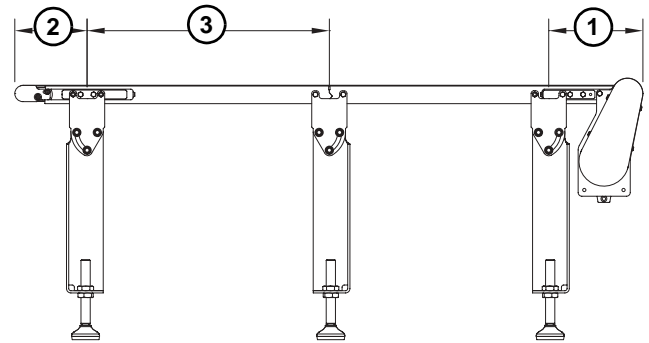


Figure 2

Specifications

Conveyor Width Reference (WWW)	070, 095, 152, 203, 254, 305, 406, 457
Conveyor Belt Width	70 mm (2.75"), 95 mm (3.75"), 152 mm (6"), 203 mm (8"), 254 mm (10"), 305 mm (12"), 406 mm (16"), 457 mm (18")
Maximum Conveyor Load (See NOTE Below)	22.7 kg (50 lbs.)
Belt Travel	102 mm (4.0") per revolution of pulley
Maximum Belt Speed	75 m/minute (246 ft/minute)
Conveyor Length Reference (LLLLL)	00500 – 05485 in 00005 increments
Conveyor Length	500 mm (20") – 5485 mm (216") in 5 mm (.20") increments

NOTE

Maximum conveyor loads are based on:

- Non-accumulating product
- Product moving toward gearmotor
- Conveyor being mounted horizontally
- Conveyor being located in a dry environment
- Conveyor equipped with standard belt only

Fastener Torque Specifications

	Hex Head		Set Screw	
	Hex Size	Torque	Hex Size	Torque
M3 x 0.5	5.5 mm	0.9 Nm (8 in lbs)	2 mm	0.2 Nm (1.7 in lbs)
M4 x 0.7	7 mm	2.3 Nm (20 in lbs)	2 mm	0.7 Nm (6 in lbs)
M5 x 0.8	8 mm	4.6 Nm (40 in lbs)	2.5 mm	1.5 Nm (13 in lbs)
M6 x 1.0	10 mm	7.8 Nm (69 in lbs)	3 mm	2.5 Nm (22 in lbs)
M8 x 1.25	13 mm	19.0 Nm (169 in lbs)	4 mm	6.0 Nm (53 in lbs)
M10 x 1.5	16 mm	38.0 Nm (335 in lbs)	5 mm	12.0 Nm (106 in lbs)

Dorner recommends FDA approved grease on all threaded stainless steel fasteners.

Installation

NOTE

Dorner recommends cleaning all the "food zones" prior to placing conveyor into service. Insure adequate access is provided for cleaning and servicing equipment so that the required level of hygiene can be maintained.

NOTE

Conveyor **MUST** be mounted straight, flat, and level within confines of conveyor. Use a level (**Figure 3, item 1**) during setup.

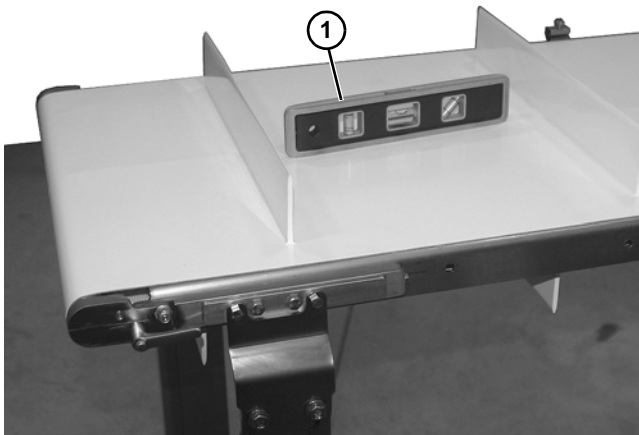


Figure 3

Required Tools

- 8 mm wrench
- 10 mm wrench
- 13 mm wrench
- Level
- Torque wrench

Recommended Installation Sequence

- Assemble conveyor (if required)
- Attach stands/mounting brackets to conveyor (see "Stand Installation" on page 11)
- Install gearmotor mounting package (see Gearmotor Mounting Packages manual 851-968)
- Attach return rollers (see "Belt Returns" on page 12)
- Attach guides/accessories (see "Service Parts" section starting on page 29)

Conveyors Up to 2998 mm (118")

No assembly is required. Install stands/mounting brackets and return rollers. Refer to "Attaching Conveyor to Stands or Mounting Brackets" on page 11 and "Return Rollers" on page 12.

Conveyors Longer than 2998 mm (118")

Connecting Components

Typical connecting components (**Figure 4**).

- | | |
|---|--------------------------|
| 1 | Conveyor frame |
| 2 | Conveyor frame extension |
| 3 | Connector Strips (2x) |
| 4 | Screws (4x) |
| 5 | Screws (8x) |

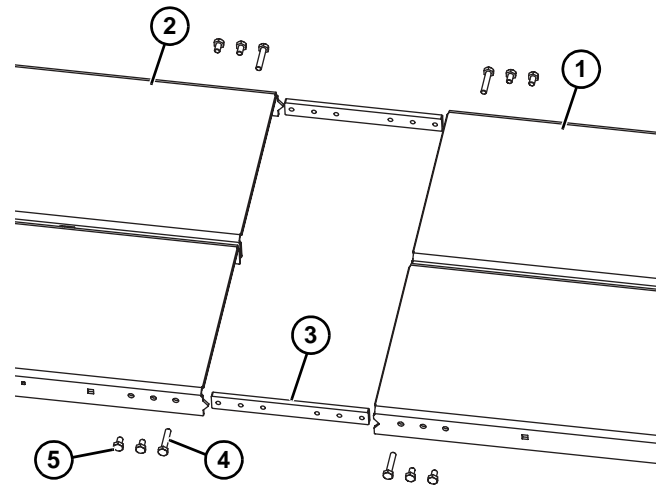


Figure 4

1. Install frame connecting bar (**Figure 5, item 1**) on conveyor frame (**Figure 5, item 2**) with two shorter screws (**Figure 5, item 3**) and one long screw (**Figure 5, item 4**). Do not tighten screws.

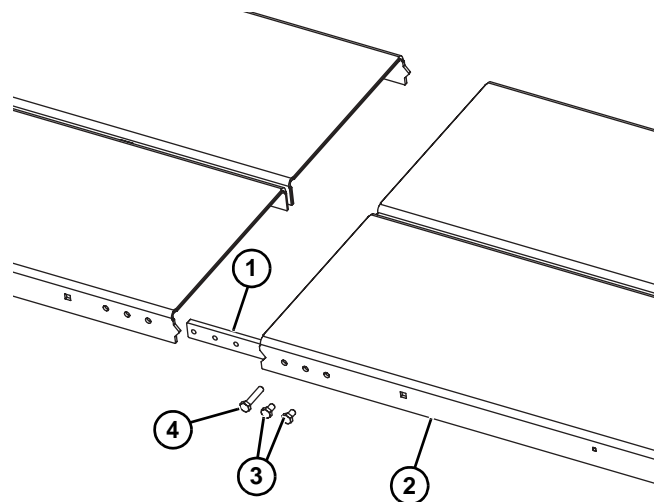


Figure 5

2. Repeat step on the opposite side of conveyor frame.

3. Install conveyor frame extension (**Figure 6, item 1**) on frame connecting bar with two short screws (**Figure 6, item 2**) and one long screw (**Figure 6, item 3**). Install three screws on opposite side.

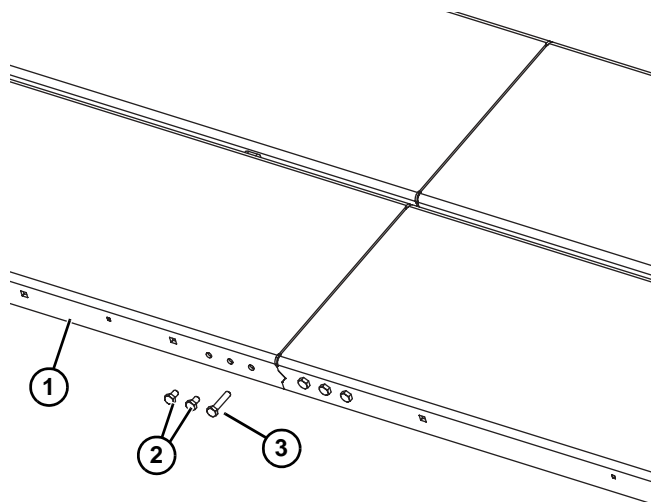


Figure 6

4. Tighten the six screws on each side.

Belt Installation

1. Loosen belt fastener (**Figure 7**) or tool-less fastener (**Figure 8**) on both sides of conveyor.



Figure 7



Figure 8

2. Rotate idler tail up (**Figure 9**).

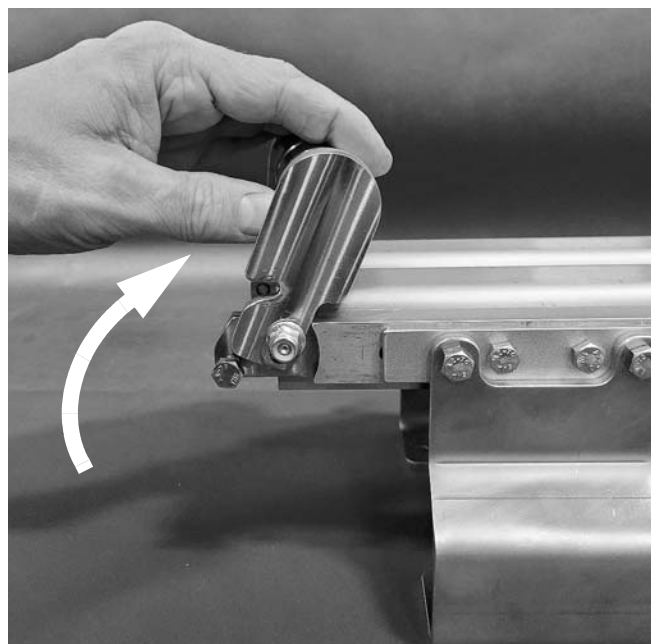


Figure 9

⚠ CAUTION

Pinch point occurs when rotating idler end.
Use caution.

Installation

3. Orient belt so splice outer fingers (**Figure 10, item 1**) point in the direction of belt travel as identified by the conveyor directional label (**Figure 10, item 2**).

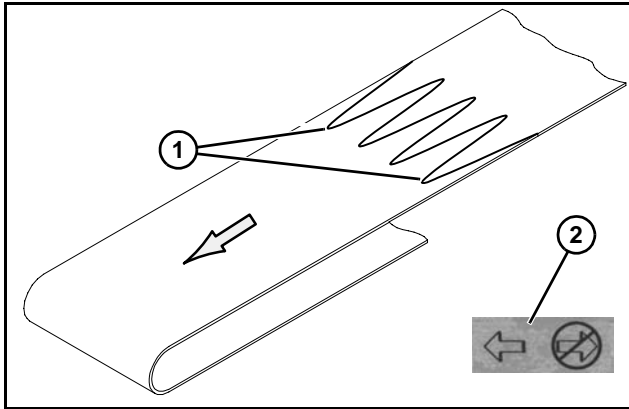


Figure 10

4. Install belt (**Figure 11, item 1**) on conveyor.

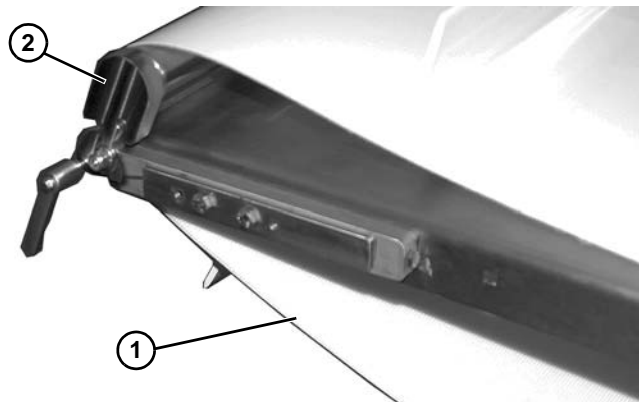



Figure 11

5. Lower idler end (**Figure 11, item 2**).

 CAUTION
<p>Pinch point occurs when rotating idler end. Use caution.</p>

6. Tension conveyor belt, if required. See “Conveyor Belt Tensioning” on page 21.
7. Track conveyor belt, if required. See “Conveyor Belt Tracking” on page 21.

Table Top Mounting Bracket Installation

Typical table top mounting bracket components (**Figure 12**).

1	Mounting Bracket (x2)
2	Spacer (x4) (conveyor frame mount)
3	Carriage Bolt (x4) (conveyor frame mount)
4	Nut (x8)
5	Screw (x4)
6	Screw (x4) (conveyor tail mount)

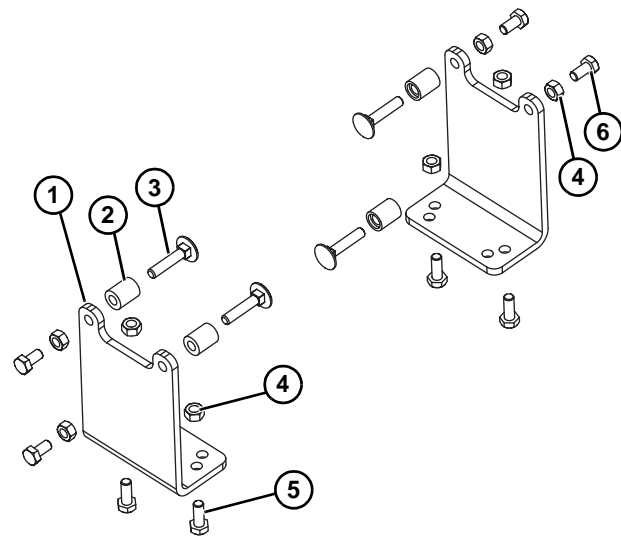


Figure 12

1. Drive End: Install carriage bolt (**Figure 13, item 1**) through square hole in conveyor frame on each side.

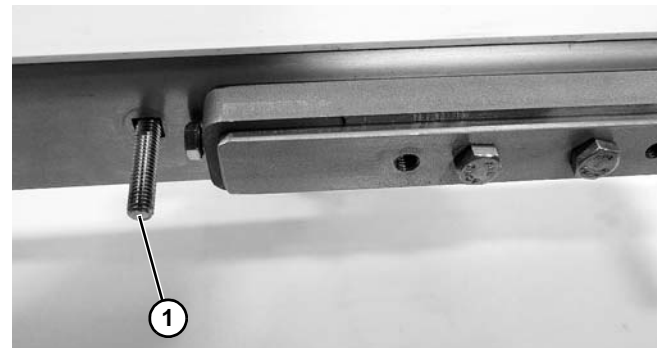


Figure 13

2. Drive End: Install table top mounting bracket (**Figure 14, item 1**) with carriage bolt, spacer, and nut (**Figure 14, item 2**), and screw (**Figure 14, item 3**) on each side.

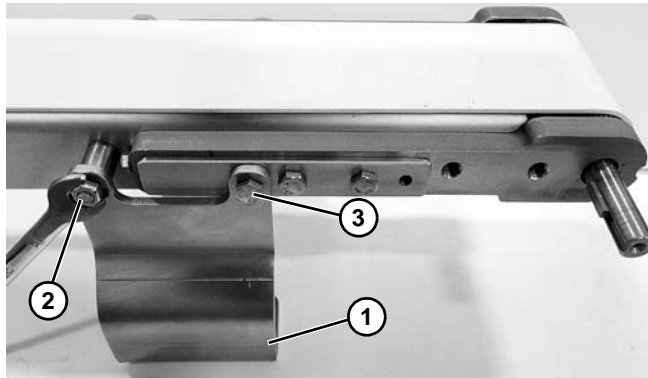


Figure 14

3. Idler End: Install table top mounting bracket (**Figure 15, item 1**) with two screws (**Figure 15, item 2**) on each side.

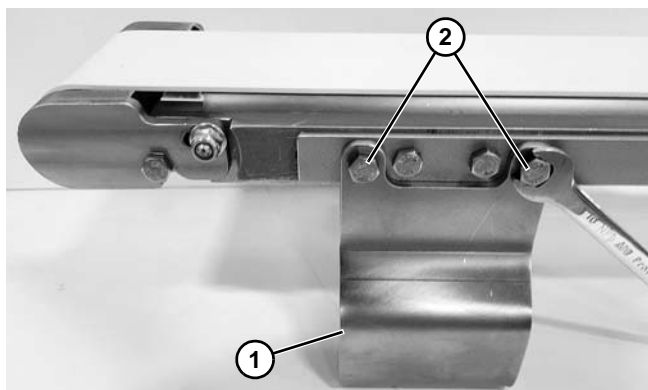


Figure 15

4. Center (if applicable): Attach table top mounting bracket (**Figure 16, item 1**) to the conveyor frame with two spacers (**Figure 16, item 2**) and two carriage bolts and nuts (**Figure 16, item 3**) on each side.

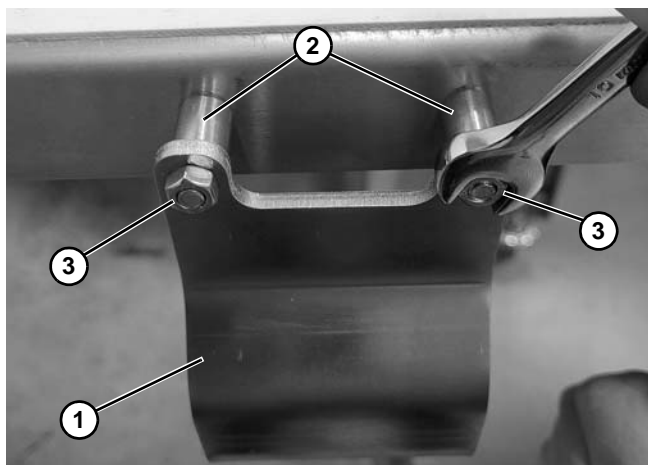


Figure 16

Stand Installation

NOTE

For detailed assembly instructions, please see support stands manual 851-969.

Typical stand components (**Figure 17**).

1	Conveyor Frame
2	Stand
3	Bracket
4	Carriage Bolt (x4) (conveyor frame mount)
5	Spacer (x4) (conveyor frame mount)
6	Nut (x4) (conveyor frame mount)
7	Screw (x4) (conveyor tail mount)

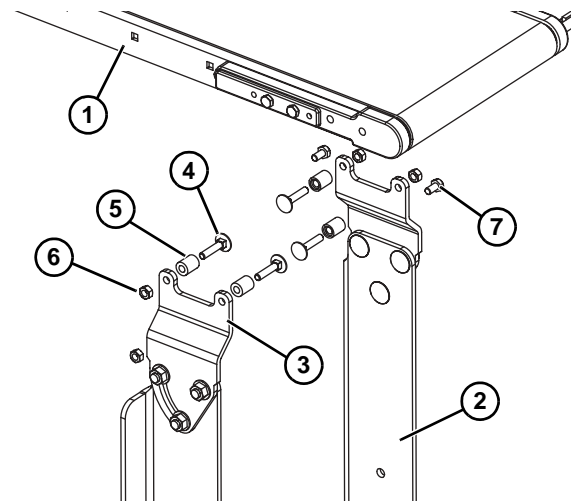


Figure 17

1. Position the stands on a flat, level surface.
2. Attach the stands to the frame:

- Idler End: Attach stand to the conveyor frame with two screws (**Figure 18, item 1**) on each side.

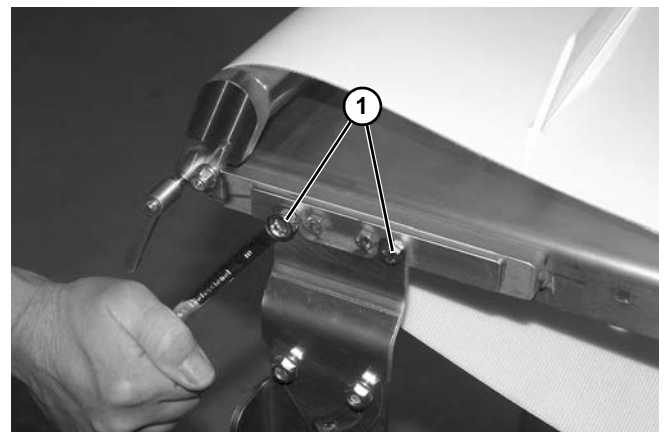


Figure 18

Installation

- Center (if applicable): Attach stand to the conveyor frame with two spacers (Figure 19, item 1) and two carriage bolts and nuts (Figure 19, item 2) on each side.

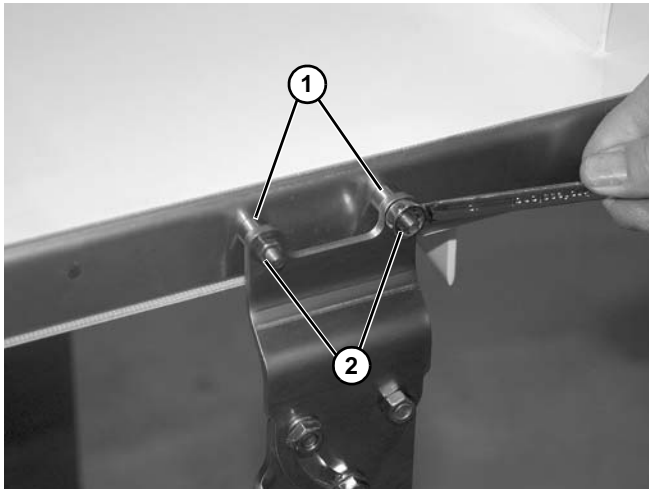


Figure 19

- Drive End: Attach stand to the conveyor frame with one spacer (Figure 20, item 1) using a carriage bolt and nut (Figure 20, item 2), and a screw (Figure 20, item 3) on each side.

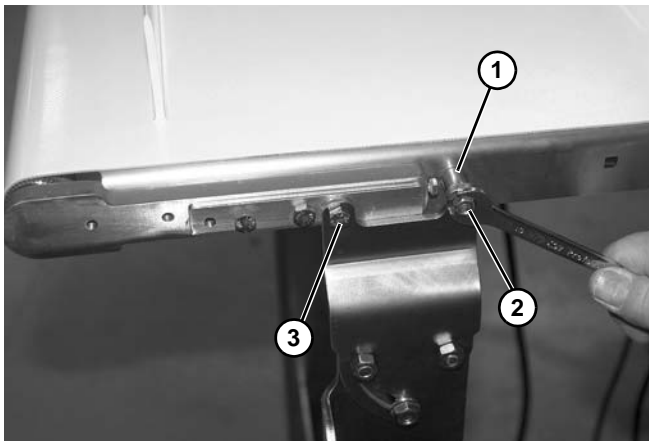


Figure 20

3. Tighten screws.

Belt Returns

Cleated Belt and Flat Belt Returns 70 mm - 152 mm Wide

Typical cleated return components (Figure 21).

1	Clip Bracket
2	Shaft Bracket
3	Carriage Bolt
4	Stub Shaft
5	Puck
6	Spacer
7	Nut

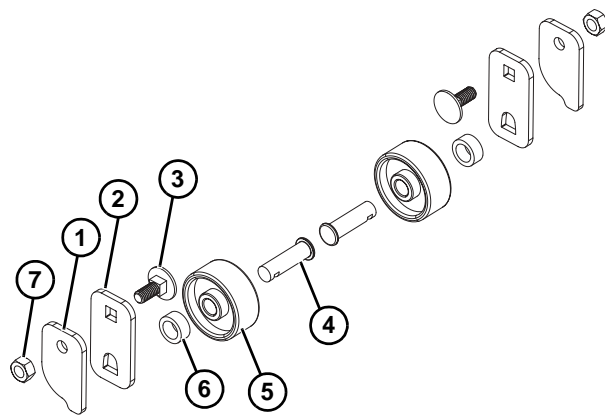


Figure 21

1. Install carriage bolt (Figure 22, item 1) through square hole in conveyor frame.

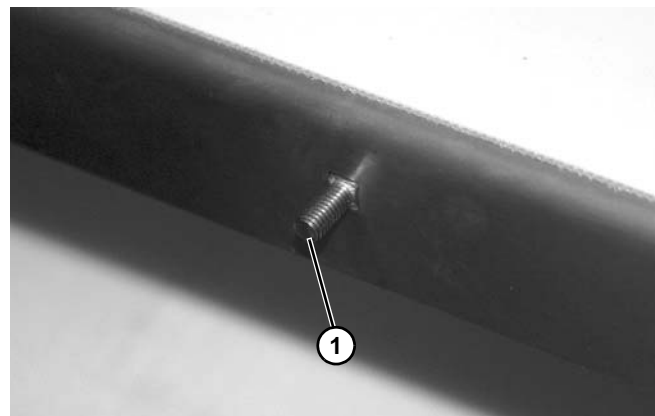


Figure 22

2. Install shaft bracket (**Figure 23, item 1**) onto carriage bolt.

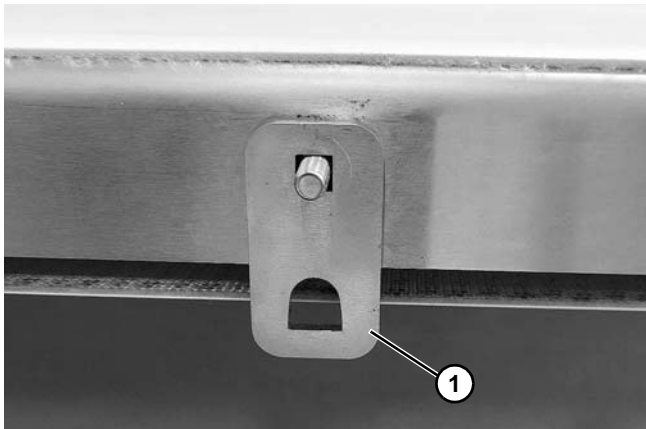


Figure 23

3. Install clip bracket (**Figure 24, item 1**) onto shaft bracket (**Figure 24, item 2**) and carriage bolt. Secure with nut (**Figure 24, item 3**). Leave assembly loose. Do not tighten at this time. Repeat on opposite side of conveyor.

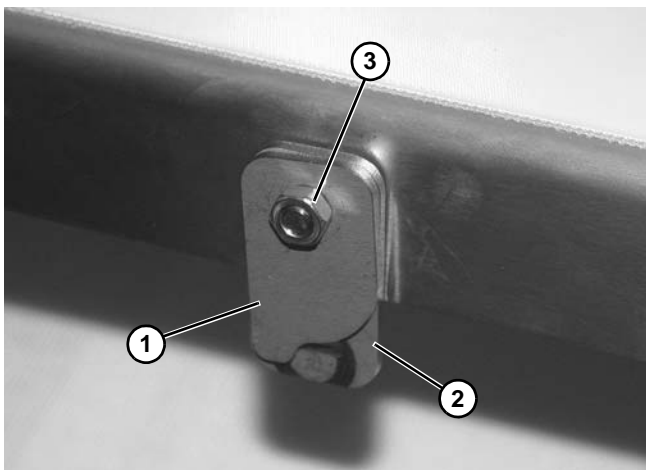


Figure 24

4. Assemble spacer tube (**Figure 25, item 1**) and roller (**Figure 25, item 2**) onto shaft (**Figure 25, item 3**).

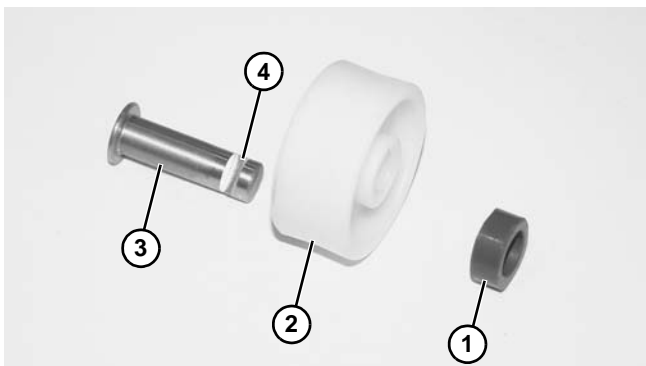


Figure 25

NOTE
<i>Note orientation of components and notch (Figure 25, item 4) on shaft before installing assembly. Notch will be facing down to attach into retainer plate on conveyor.</i>

5. Raise clip bracket (**Figure 26, item 1**) from shaft bracket (**Figure 26, item 2**) on conveyor.

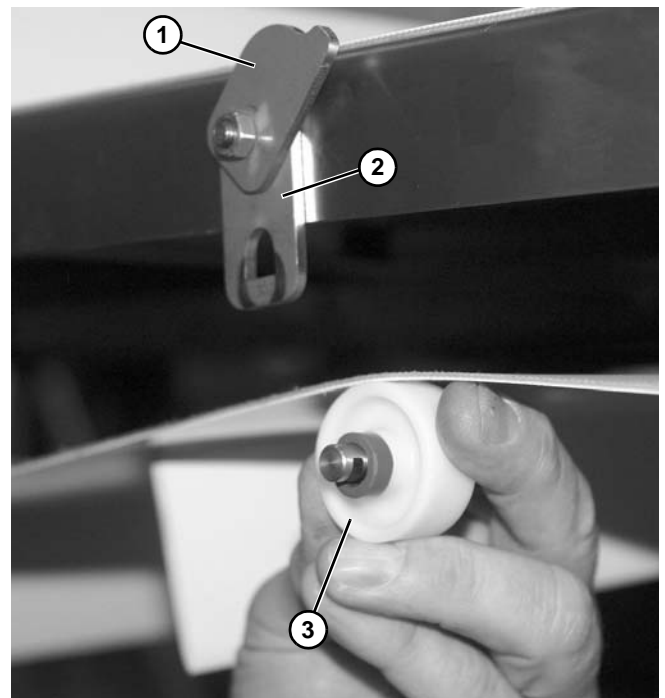


Figure 26

6. Install roller assembly (**Figure 26, item 3**) onto shaft bracket (**Figure 26, item 2**) on both sides of conveyor.
7. Make certain notch (**Figure 27, item 1**) in shaft is inserted into shaft bracket (**Figure 27, item 2**), and lower clip bracket (**Figure 27, item 3**) over shaft and shaft bracket.

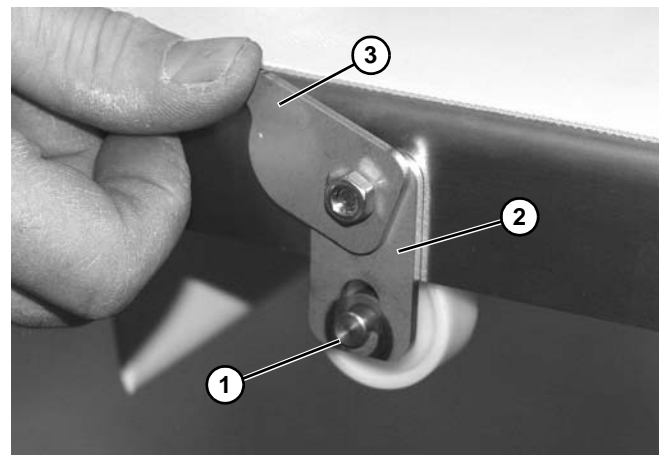


Figure 27

Installation

8. Tighten nut (**Figure 28, item 1**).

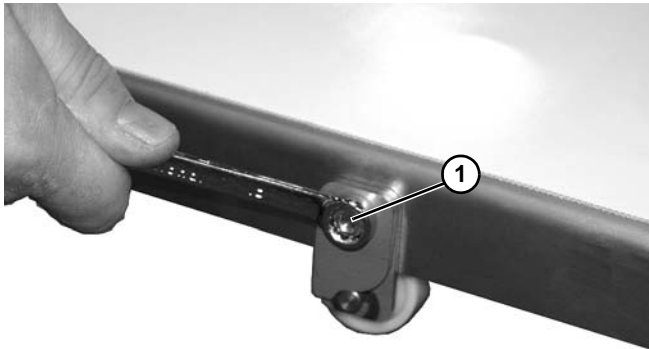


Figure 28

9. Repeat steps to install roller assembly on opposite side of conveyor.

Flat Belt Returns over 152 mm Wide

Typical flat return components (**Figure 29**).

- | | |
|---|-----------------|
| 1 | Clip Bracket |
| 2 | Shaft Bracket |
| 3 | Carriage Bolt |
| 4 | Shaft |
| 5 | End Spacer Tube |
| 6 | Spacer Tube |
| 7 | Puck |
| 8 | Nut |

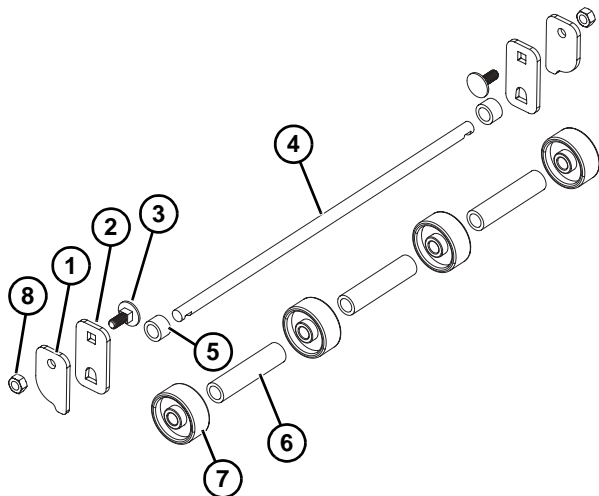


Figure 29

1. Install carriage bolt (**Figure 30, item 1**) through square hole in conveyor frame.

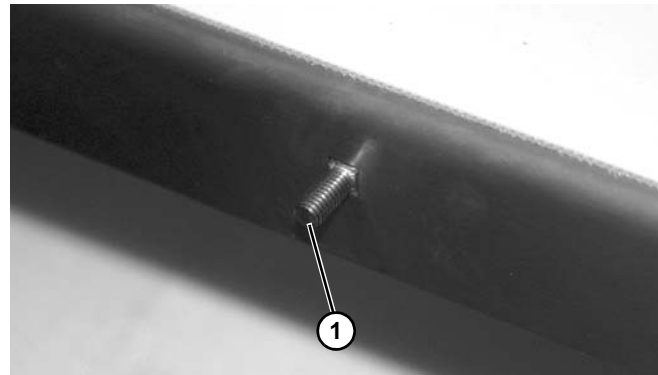


Figure 30

2. Install shaft bracket (**Figure 31, item 1**) onto carriage bolt.

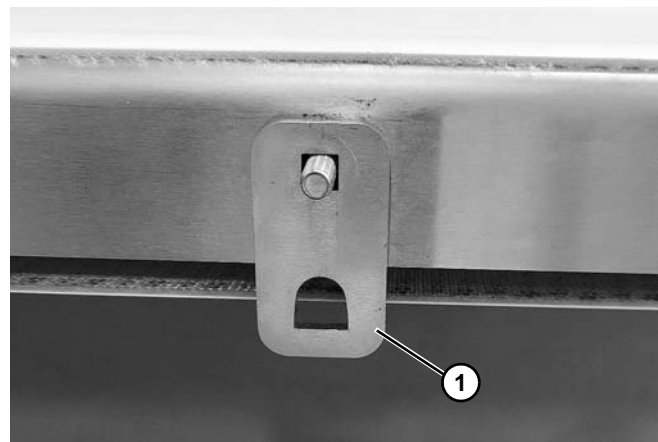


Figure 31

3. Install clip bracket (**Figure 32, item 1**) onto shaft bracket (**Figure 32, item 2**) and carriage bolt. Secure with nut (**Figure 32, item 3**). Leave assembly loose. Do not tighten at this time. Repeat on opposite side of conveyor.

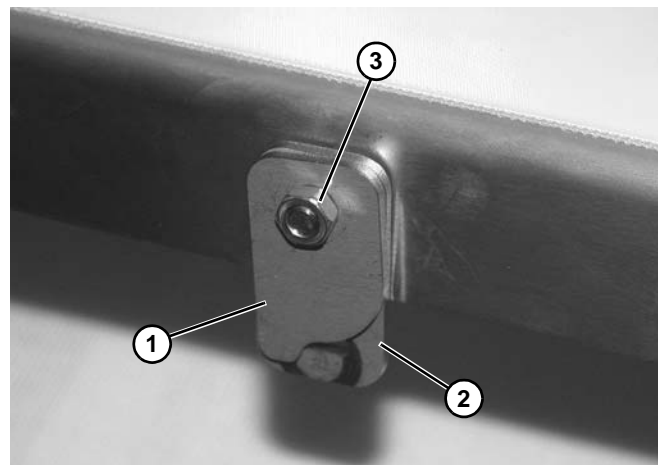


Figure 32

Installation

4. Assemble spacer tubes (**Figure 33, item 1**), rollers (**Figure 33, item 2**), and end spacer tubes (**Figure 33, item 3**) onto shaft (**Figure 33, item 4**).

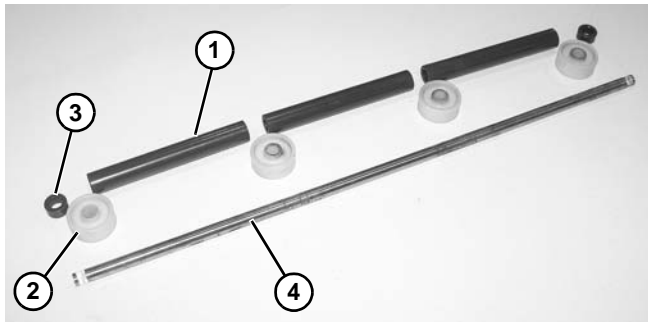


Figure 33

NOTE

*Note orientation of components and notch (**Figure 34, item 1**) on shaft before installing assembly. Notch will be facing down to attach into retainer plate on conveyor.*

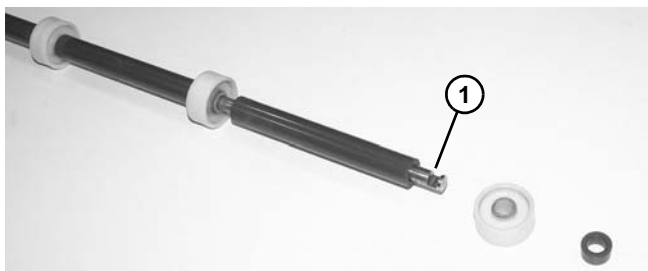


Figure 34

5. Raise clip bracket (**Figure 35, item 1**) from shaft bracket (**Figure 35, item 2**) on conveyor.

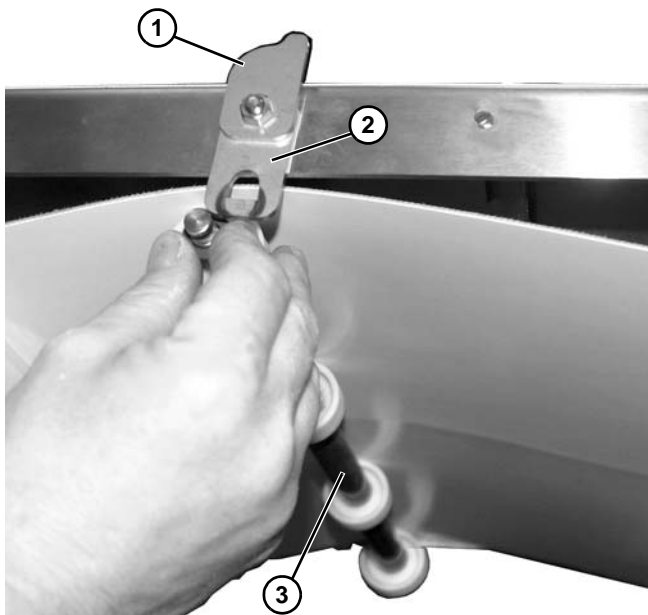


Figure 35

6. Install roller assembly (**Figure 35, item 3**) onto shaft brackets (**Figure 35, item 2**) on both sides of conveyor.
7. Make certain notch (**Figure 36, item 1**) in shaft is inserted into shaft bracket (**Figure 36, item 2**), and lower clip bracket (**Figure 36, item 3**) over shaft and shaft bracket. Repeat on opposite side of conveyor.



Figure 36

8. Tighten nut (**Figure 37, item 1**).

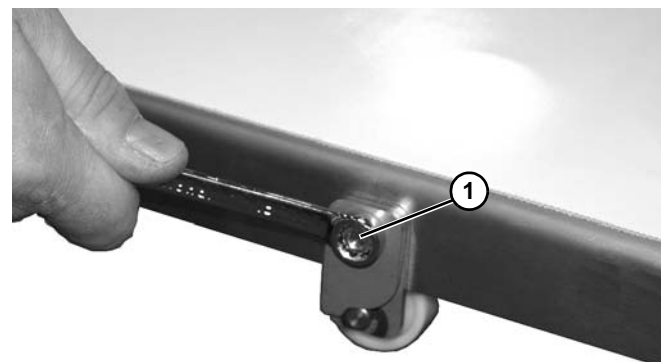


Figure 37

Installation

Guide Installation

Fixed Guides

1. Install carriage bolt (Figure 38, item 1) through square hole (Figure 38, item 2) in conveyor frame, and install guide bracket (Figure 38, item 3).

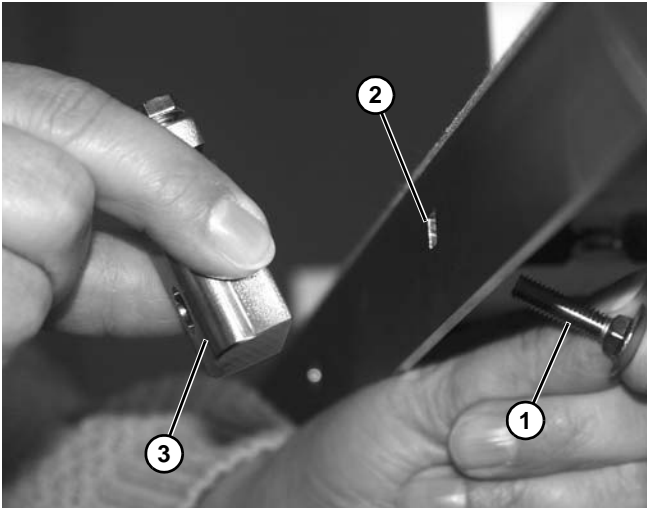


Figure 38

2. Use a nut (Figure 39, item 1) to secure guide bracket with carriage bolt. Tighten nut.

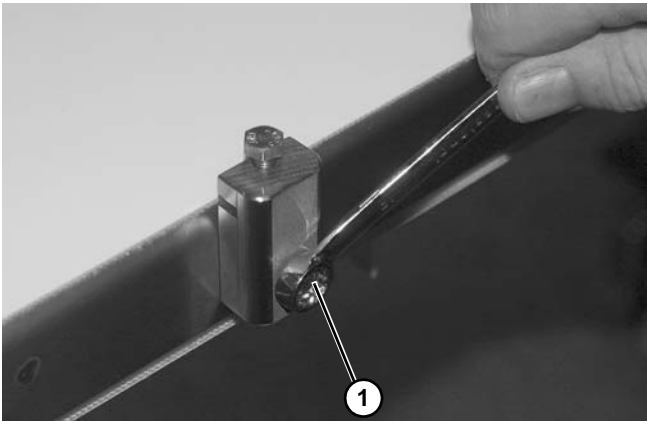


Figure 39

3. Repeat for remaining guide brackets required for your conveyor size.

NOTE

The guide location notch (Figure 40, item 1) on the high sides (Figure 40, item 2) must be positioned at the infeed end of the conveyor (Figure 40, item 3).

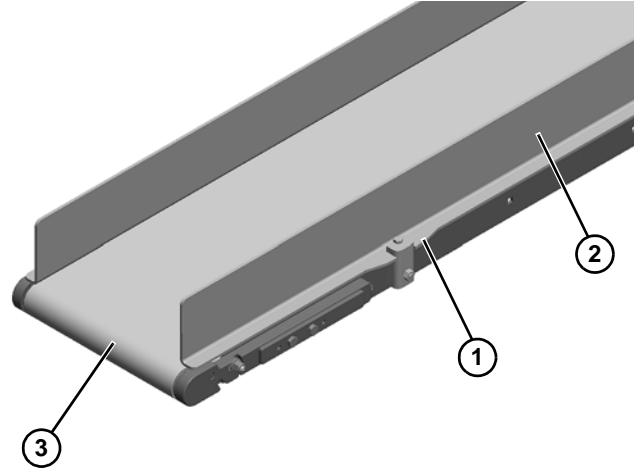


Figure 40

4. Install high sides (Figure 41, item 1) onto the guide brackets (Figure 41, item 2). Tighten screw (Figure 41, item 3) to secure.

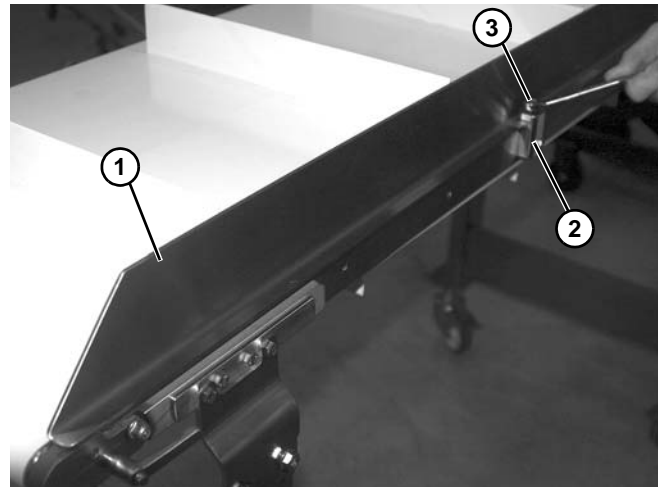


Figure 41

5. For conveyors over 2998 mm (118") long, connect guides (Figure 42, item 1) by installing connector plate(s) (Figure 42, item 2) onto studs (Figure 42, item 3) on guiding. Secure onto guide brackets (Figure 42, item 4).

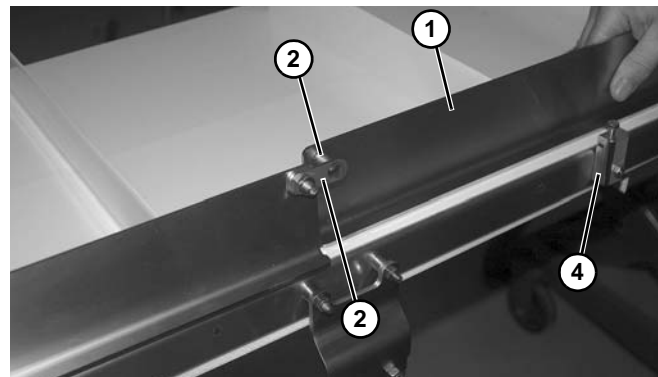


Figure 42

6. Install and tighten nut (**Figure 43, item 1**) on stud to secure.

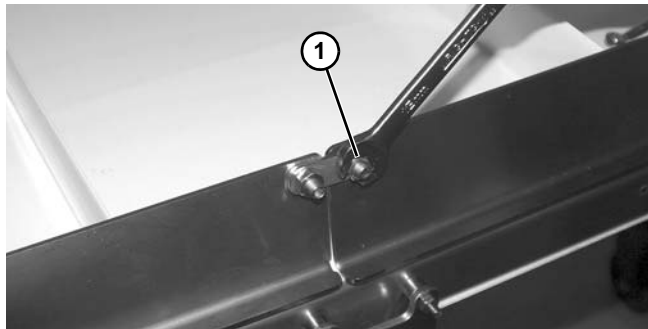


Figure 43

7. Repeat on the opposite side of conveyor.

Adjustable Guides

1. Install carriage bolt (**Figure 44, item 1**) through square hole in frame, and install rail clamp (**Figure 44, item 2**) on to carriage bolt.

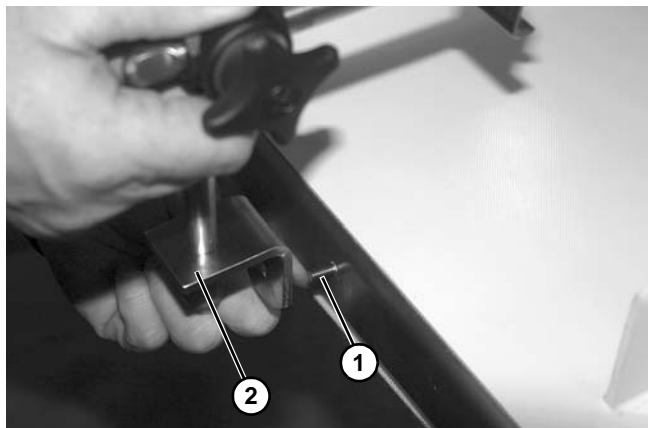


Figure 44

2. Install and tighten nut (**Figure 45, item 1**) onto carriage bolt to secure guide rail.



Figure 45

3. Install guide rail (**Figure 46, item 1**) onto guide brackets (**Figure 46, item 2**). Tighten screw (**Figure 46, item 3**) to secure.

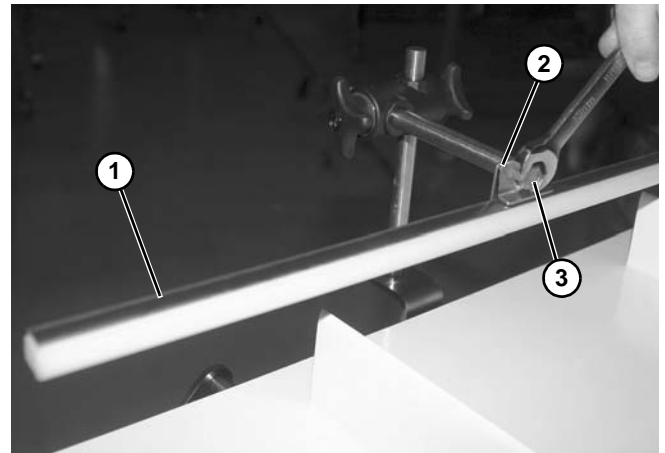


Figure 46

4. Loosen knob (**Figure 47, item 1**), and adjust the guide post (**Figure 47, item 2**) height, as needed. Tighten knob.

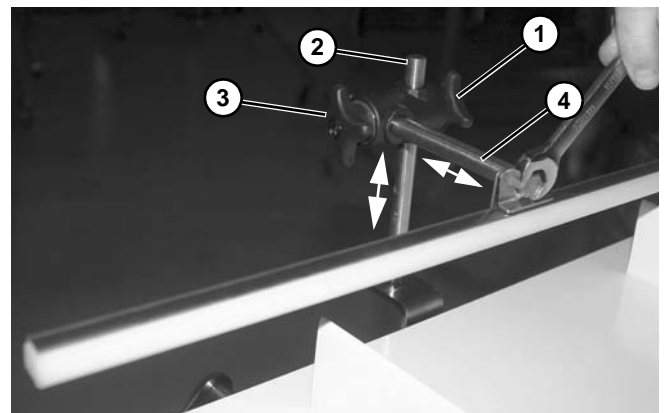


Figure 47

5. Loosen knob (**Figure 47, item 3**), and adjust the horizontal guide post (**Figure 47, item 4**) and guide rail, as needed. Tighten knob.
6. Repeat, as needed for remaining guiding brackets.

Drive Package Installation

NOTE

For detailed assembly instructions, please see Gearmotor Mounting Packages manual 851-968.

Preventive Maintenance and Adjustment

Required Tools

- 8 mm wrench
- 10 mm wrench
- 13 mm wrench
- Level
- Torque wrench

Checklist

- Keep critical service parts on hand. Refer to the "Service Parts" section starting on page 29 for recommendations.
- Clean entire conveyor while disassembled
- Replace any worn or damaged parts.

Cleaning

NOTE

Proper conveyor application, cleaning, and sanitation are the responsibility of the end user.

⚠ CAUTION

Dorner recommends cleaning all the "food zones" prior to placing conveyor into service. Ensure adequate access is provided for cleaning and servicing equipment so that the required level of hygiene can be maintained.

⚠ WARNING



SEVERE HAZARD!

LOCK OUT POWER before removing guards or performing maintenance. Exposed moving parts can cause serious injury.

Use Dorner Belt Cleaner. Mild soap and water may also be used. Do not soak the belt.

For /05 woven polyester and /06 black anti-static belts, use a bristled brush to improve cleaning.

Lubrication

Conveyor Bearings

No lubrication is required. Replace bearings if worn.

Return Rollers

No lubrication is required. Replace rollers if worn.

Maintaining the Conveyor Belt

Troubleshooting

Inspect conveyor belt for:

- Surface cuts or wear
- Stalling or slipping
- Damage to V-guide

Surface cuts and wear indicate:

- Sharp or heavy parts impacting belt
- Jammed parts
- Improperly installed bottom wipers (if installed)
- Accumulated dirt in wipers (if installed)
- Foreign material inside the conveyor
- Improperly positioned accessories
- Bolt-on guiding is pinching belt

Stalling or slipping indicates:

- Excessive load on belt
- Conveyor belt or drive timing belt are not properly tensioned
- Worn knurl or impacted dirt on drive pulley
- Intermittent jamming or drive train problems

Damage to V-guide indicates:

- Twisted or damaged conveyor frame
- Dirt impacted on pulleys
- Excessive or improper side loading

Preventive Maintenance and Adjustment

Conveyor Belt Replacement

 WARNING	
	
SEVERE HAZARD! LOCK OUT POWER before removing guards or performing maintenance. Exposed moving parts can cause serious injury.	

1. Remove guides (**Figure 48, item 1**) when required. See “Guide Installation” on page 16.

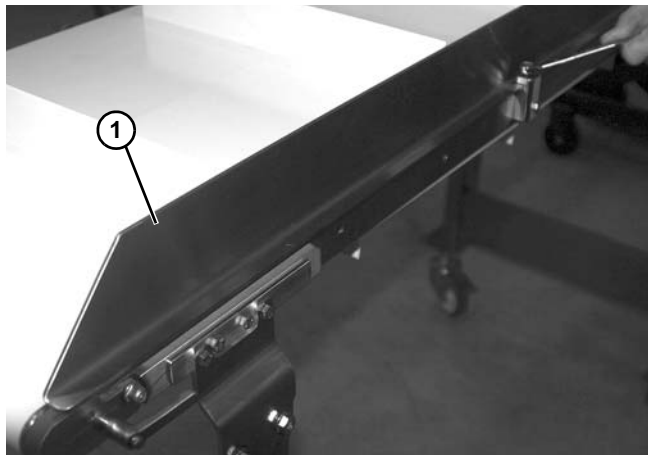


Figure 48

2. Loosen nut (**Figure 49, item 1**), raise clip bracket (**Figure 49, item 2**), and remove belt returns (**Figure 49, item 3**) from slotted holes (**Figure 49, item 4**) in shaft bracket. Repeat on both sides of conveyor frame, as needed.

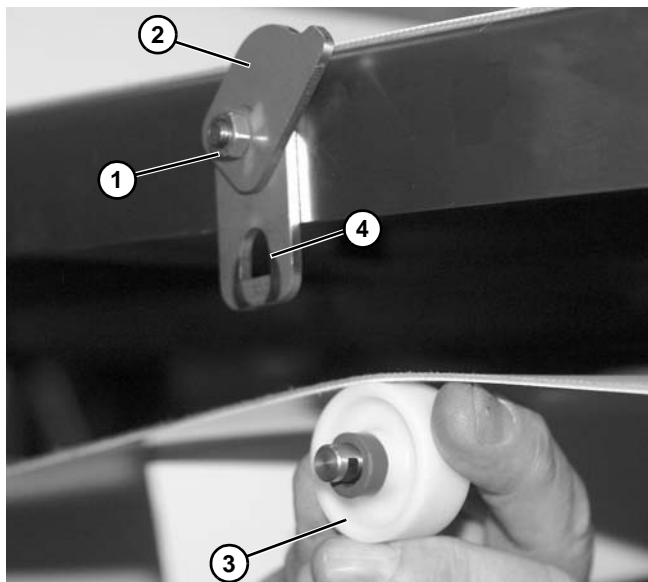




Figure 49

 WARNING	
	
Removing mounting brackets without support under gearmotor will cause conveyor to tip, causing severe injury. PROVIDE SUPPORT UNDERNEATH THE GEARMOTOR WHEN CHANGING THE BELT.	

3. Place temporary support stands (**Figure 50, item 1**) at both ends of the conveyor. Place an additional support stand under the drive motor, if equipped. See WARNING.

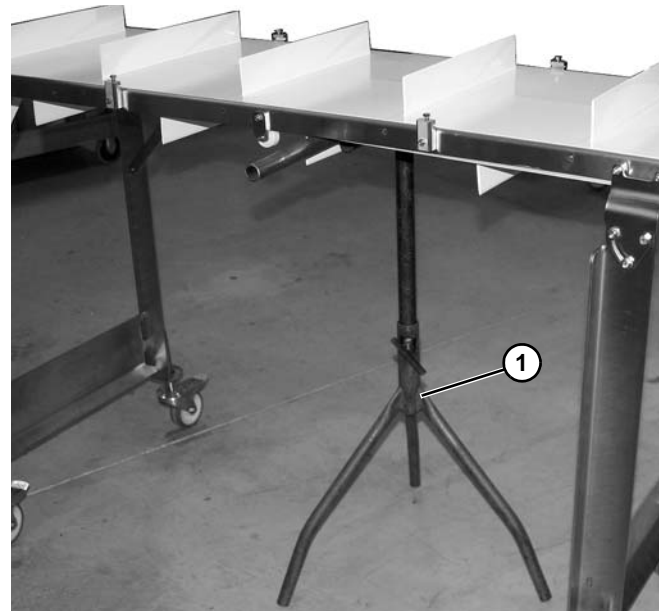


Figure 50

4. Remove drive package (**Figure 51, item 1**). See Gearmotor Mounting Packages manual 851-968 for details.

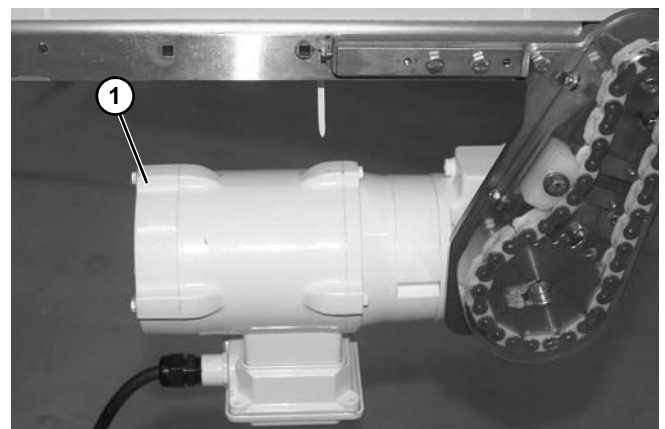


Figure 51

Preventive Maintenance and Adjustment

5. Loosen two screws (**Figure 52, item 1**) securing end plate (**Figure 52, item 2**) onto conveyor. Repeat on opposite side.

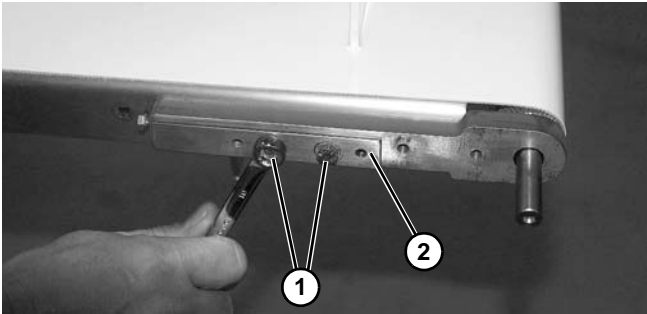


Figure 52

6. Rotate screw (**Figure 53, item 1**) counterclockwise to retract drive spindle assembly (**Figure 53, item 2**). Repeat on opposite side to approximately the same distance.

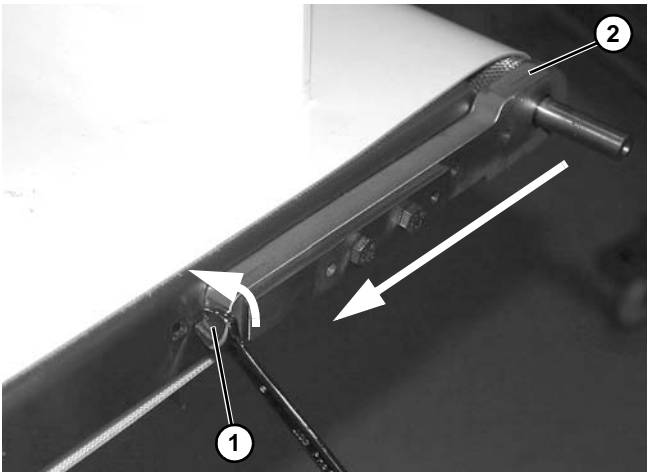


Figure 53

7. Repeat steps 6-7 on idler end of conveyor.
8. Rotate idler end (**Figure 54, item 1**) upward as shown.

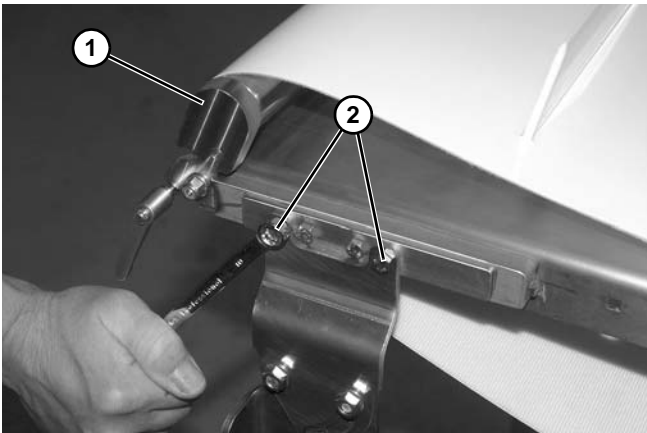


Figure 54

⚠ CAUTION

Pinch point occurs when rotating idler end. Use caution.

9. Remove two screws (**Figure 54, item 2**) securing the stand brackets from one side of the conveyor.
10. Remove screw (**Figure 55, item 1**), and screw and nut (**Figure 55, item 2**) from conveyor bracket.

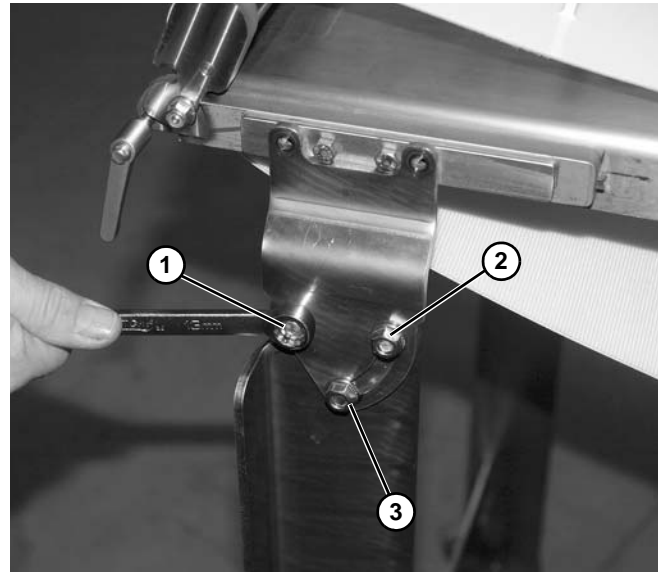


Figure 55

11. Loosen nut (**Figure 55, item 3**) on lower screw.
12. Lower stand bracket (**Figure 56, item 1**).

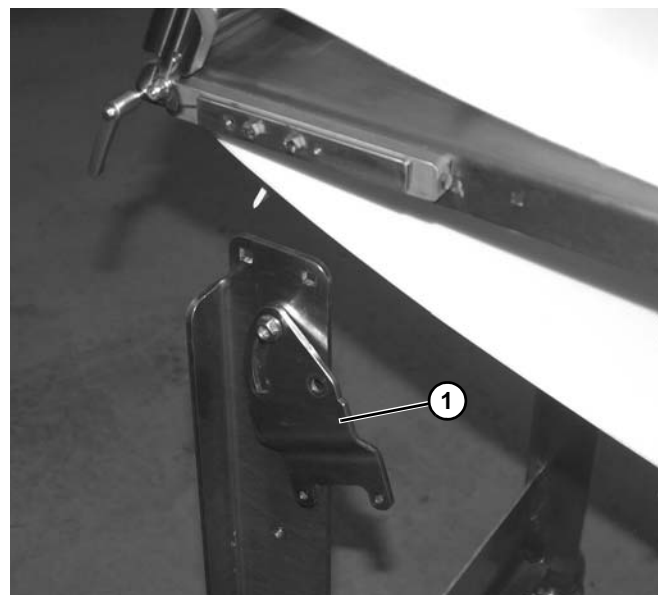


Figure 56

Preventive Maintenance and Adjustment

- Remove the belt (Figure 57, item 1) from the conveyor (Figure 57, item 2).

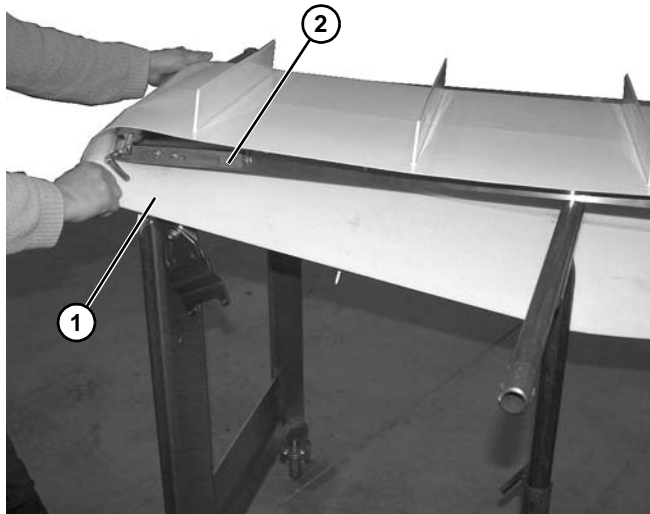


Figure 57

- Repeat procedure for the opposite end of the conveyor to fully remove the belt.
- Reinstall the belt. Refer to “Belt Installation” on page 9.
- Reinstall belt returns.
- If equipped, reinstall guiding.
- Tension and track drive and conveyor if required. See “Conveyor Belt Tensioning” on page 21 and “Conveyor Belt Tracking” on page 21”.

Conveyor Belt Tensioning

⚠ WARNING
SEVERE HAZARD! LOCK OUT POWER before removing guards or performing maintenance. Exposed moving parts can cause serious injury.
⚠ CAUTION
Over-tensioning of conveyor may stretch conveyor belt and reduce bearing life.

- On tension end of the conveyor, loosen two screws (Figure 58, item 1) on each side of conveyor.

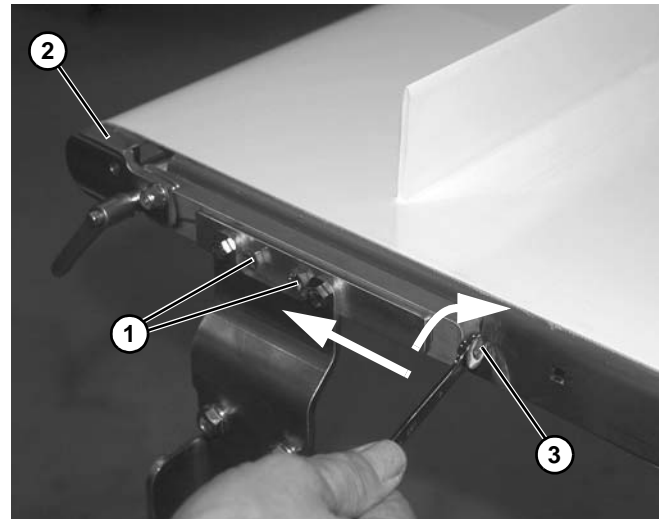


Figure 58

- Extend idler spindle assembly (Figure 58, item 2) by turning screw (Figure 58, item 3) clockwise on both sides of the conveyor to sufficiently tension belt to handle conveyor load.
- Tighten four screws (Figure 58, item 1) to secure idler spindle assembly (Figure 58, item 2).

NOTE

If the maximum take-up stroke is achieved, replace the conveyor belt.

- Verify proper tracking. If belt tracking is necessary, adjust either side of idler tail end (See “Conveyor Belt Tracking” on page 21.) Repeat adjusting tension on drive end, as needed.

Conveyor Belt Tracking

⚠ WARNING
SEVERE HAZARD! LOCK OUT POWER before removing guards or performing maintenance. Exposed moving parts can cause serious injury.
⚠ CAUTION
Over-tensioning of conveyor may stretch conveyor belt and reduce bearing life.

Preventive Maintenance and Adjustment

1. On tension end of the conveyor, loosen two screws (Figure 59, item 1) on one side of conveyor.

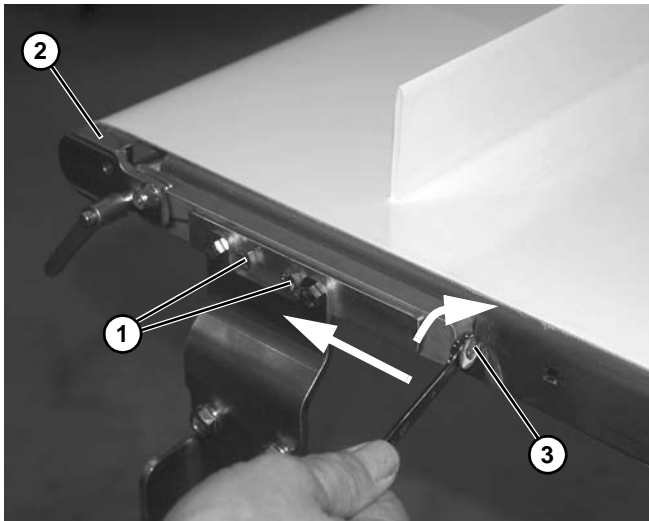


Figure 59

2. Extend idler spindle assembly (Figure 59, item 2) by turning screw (Figure 59, item 3) clockwise to apply tension belt or counterclockwise to remove tension on belt.
3. Tighten two screws (Figure 59, item 1) to secure idler spindle assembly (Figure 59, item 2).

NOTE

If the maximum take-up stroke is achieved, replace the conveyor belt.

Pulley Replacement

WARNING



SEVERE HAZARD!

LOCK OUT POWER before removing guards or performing maintenance. Exposed moving parts can cause serious injury.

Remove conveyor belt to access pulley(s). See “Conveyor Belt Replacement” on page 19. Remove the desired pulley following instructions:

- A – Drive Pulley
- B – Idler Pulley

A – Drive Pulley

WARNING



PUNCTURE HAZARD!

Handle drive shaft keyway with care. It may be sharp and could puncture the skin, causing serious injury.

1. Remove the gearmotor mounting package. See Gearmotor Mounting Packages manual 851-968 for details.
2. Remove two screws (Figure 60, item 1) and connecting strip (Figure 60, item 2) from side of conveyor opposite drive shaft.

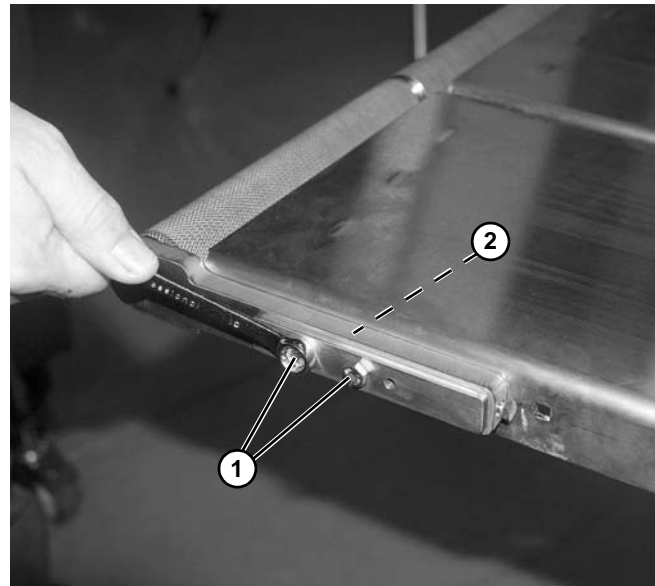


Figure 60

Preventive Maintenance and Adjustment

3. Remove head plate (**Figure 61, item 1**) and drive pulley (**Figure 61, item 2**).

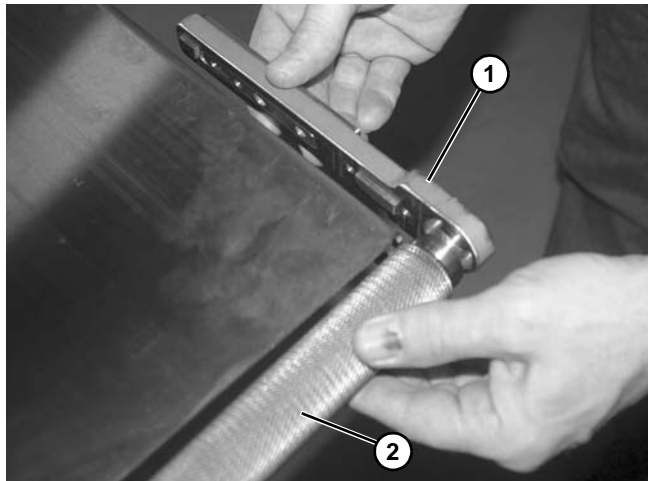


Figure 61



Figure 62

4. Install in reverse order of removal.

B – Idler Pulley

1. Loosen belt fastener (**Figure 63**) or tool-less fastener (**Figure 64**) on both sides of conveyor.



Figure 63



Figure 64

2. Rotate idler tail up (**Figure 65**).

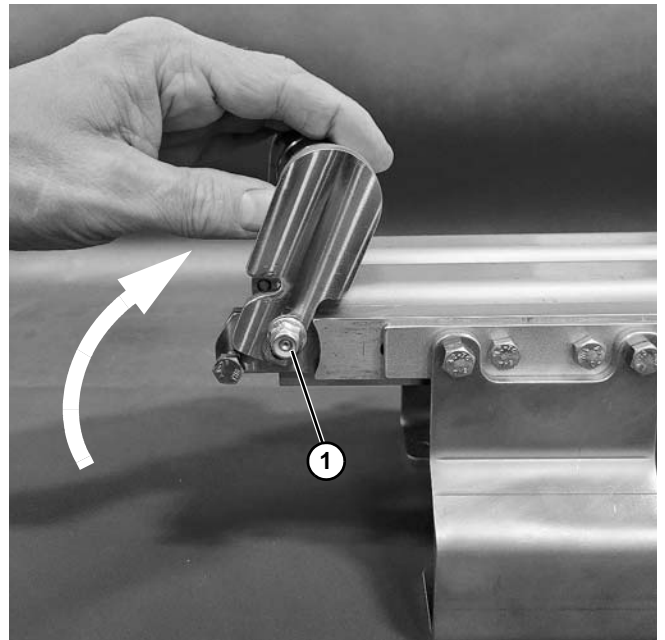


Figure 65

⚠ CAUTION

Pinch point occurs when rotating idler end.
Use caution.

Preventive Maintenance and Adjustment

3. Remove locknut (Figure 66, item 1).



Figure 66

4. Remove head plate (Figure 67, item 1) off of idler end stud (Figure 67, item 2), and remove from idler pulley (Figure 67, item 3) and cross support post (Figure 67, item 4).

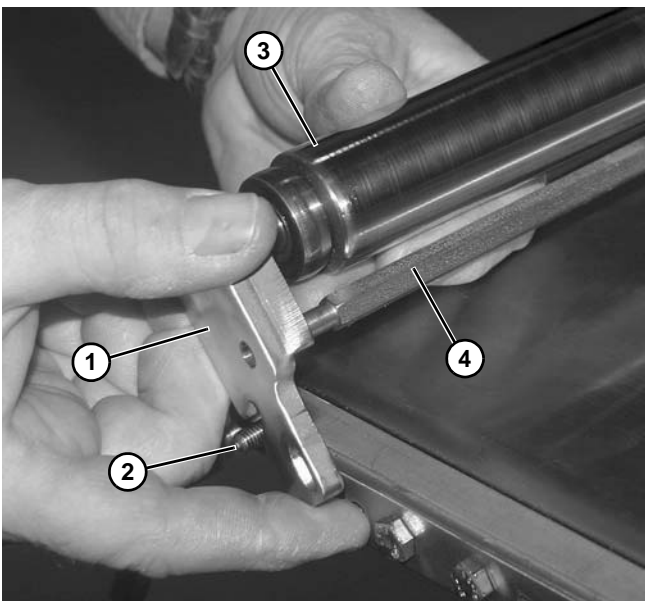


Figure 67



Figure 68

5. Install in reverse order of removal.

Bearing Replacement for Drive or Idler Pulley

⚠ WARNING



SEVERE HAZARD!
LOCK OUT POWER before removing guards or performing maintenance. Exposed moving parts can cause serious injury.

⚠ WARNING



PUNCTURE HAZARD!
Handle drive shaft keyway with care. It may be sharp and could puncture the skin, causing serious injury.

Preventive Maintenance and Adjustment

Bearing Removal

IMPORTANT

Once removed, do not re-use bearings.

1. Place bearing removal tool (**Figure 69, item 1**) (part # 456063) below bearing (**Figure 69, item 2**) with lip (**Figure 69, item 3**) located in gap (**Figure 69, item 4**) between bearing and spindle hub (**Figure 69, item 5**) as shown.

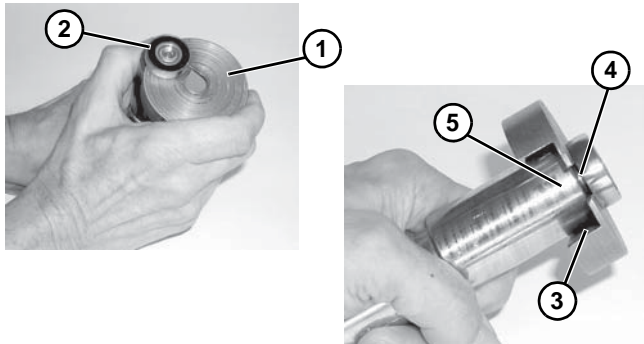


Figure 69

2. Using a puller (**Figure 70, item 1**), remove and discard bearing.

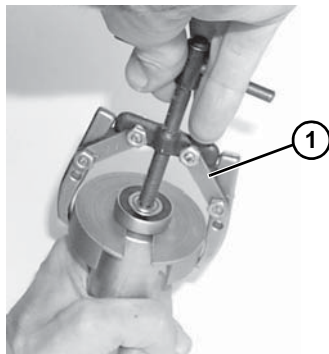


Figure 70

Bearing Installation

1. Inspect bearing seating surface(s) for damage. Replace spindle if damaged.
2. Slide bearing (part # 240338) (**Figure 71, item 1**) onto spindle (**Figure 71, item 2**).

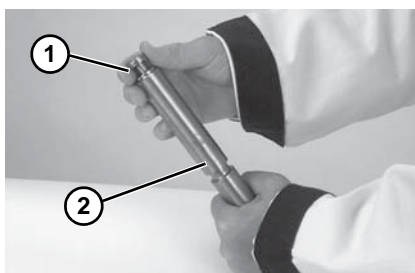


Figure 71

3. Slide sleeve (**Figure 72, item 1**) of tool (part # 456085) over bearing.

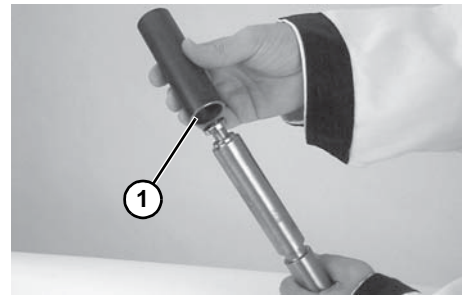


Figure 72

4. Place open end of pusher (**Figure 73, item 1**) into sleeve.

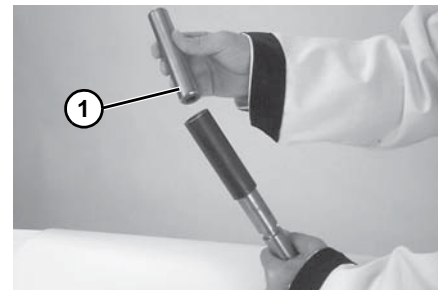


Figure 73

5. Using an arbor press or similar device, press bearing onto pulley shaft (**Figure 74**).



Figure 74

6. Repeat steps 1 through 5 for each bearing.

Preventive Maintenance and Adjustment

Belt Return Maintenance

 WARNING
SEVERE HAZARD! LOCK OUT POWER before removing guards or performing maintenance. Exposed moving parts can cause serious injury.

Cleated Belt and Flat Belt Returns 70 mm - 152 mm Wide

1. Loosen nut (Figure 75, item 1).

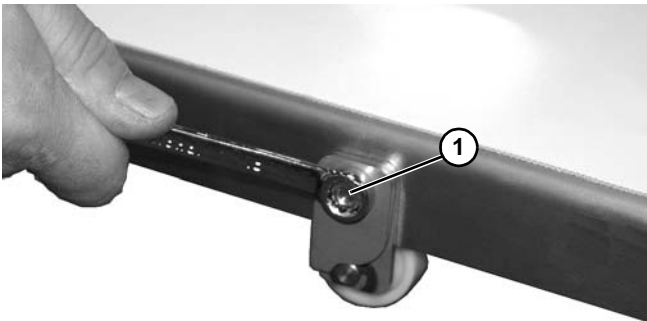


Figure 75

2. Raise clip bracket (Figure 76, item 1) from shaft bracket (Figure 76, item 2) on conveyor.

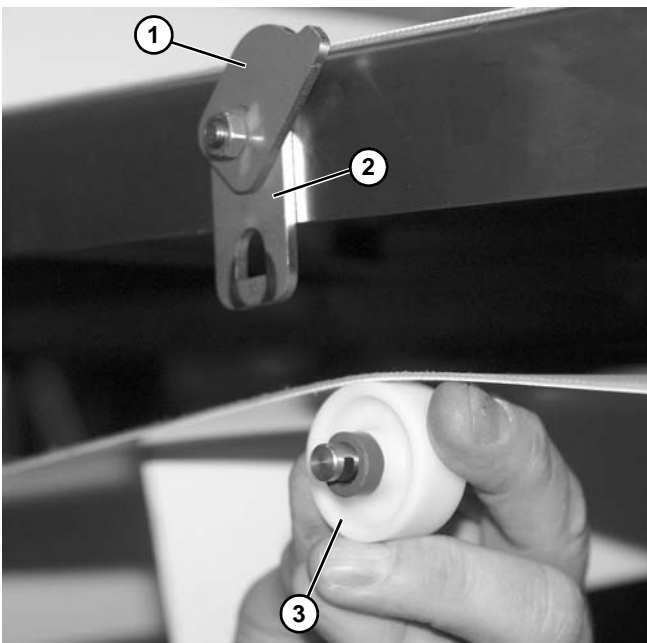


Figure 76

3. Remove roller assembly (Figure 76, item 3) from shaft bracket (Figure 76, item 2).

4. Disassemble spacer tube (Figure 77, item 1) and roller (Figure 77, item 2) from shaft (Figure 77, item 3).

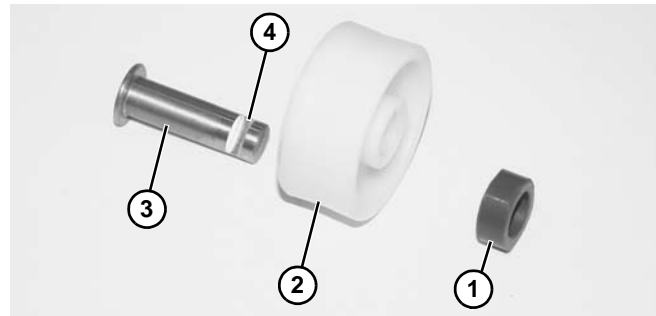


Figure 77

5. Replace damaged or worn parts.

NOTE

Note orientation of components and notch (Figure 77, item 4) on shaft before installing assembly. Notch will be facing down to attach into retainer plate on conveyor.

6. Install roller assembly (Figure 78, item 1) onto shaft bracket (Figure 78, item 2) on both sides of conveyor.
7. Make certain notch (Figure 78, item 3) in shaft is inserted into shaft bracket (Figure 78, item 2), and lower clip bracket (Figure 78, item 4) over shaft and shaft bracket.

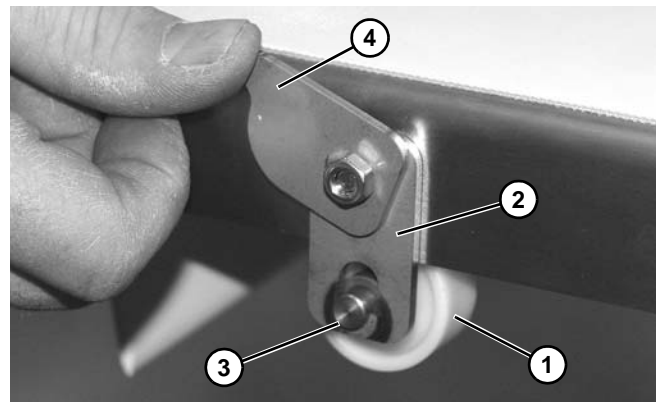


Figure 78

8. Tighten nut (Figure 79, item 1).

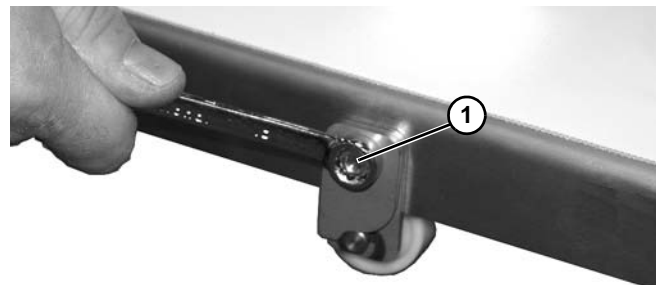


Figure 79

Preventive Maintenance and Adjustment

Flat Belt Returns over 152 mm Wide

1. Loosen nut (Figure 80, item 1).

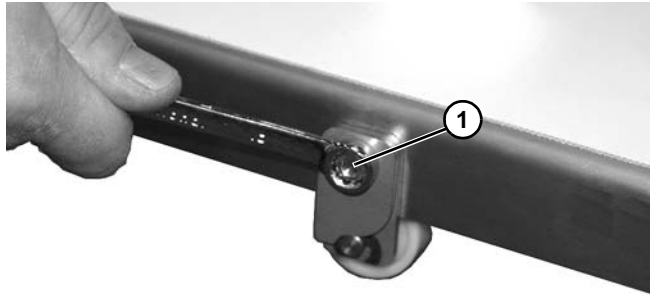


Figure 80

2. Raise clip bracket (Figure 81, item 1) from shaft bracket (Figure 81, item 2) on conveyor.

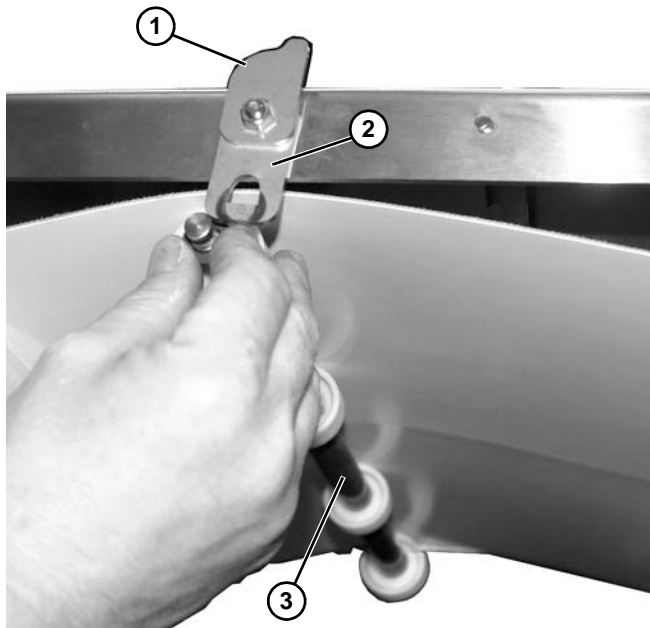


Figure 81

3. Remove roller assembly (Figure 81, item 3) from shaft brackets (Figure 81, item 2) on both sides of conveyor.
4. Disassemble spacer tubes (Figure 82, item 1), rollers (Figure 82, item 2), and end spacer tubes (Figure 82, item 3) from shaft (Figure 82, item 4).

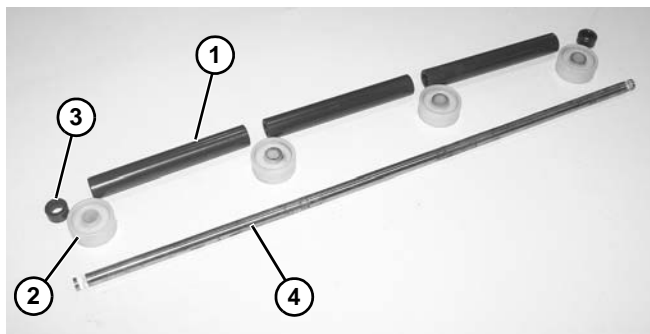


Figure 82

5. Replace damaged or worn parts.

NOTE

Note orientation of components and notch (Figure 83, item 1) on shaft before installing assembly. Notch will be facing down to attach into retainer plate on conveyor.

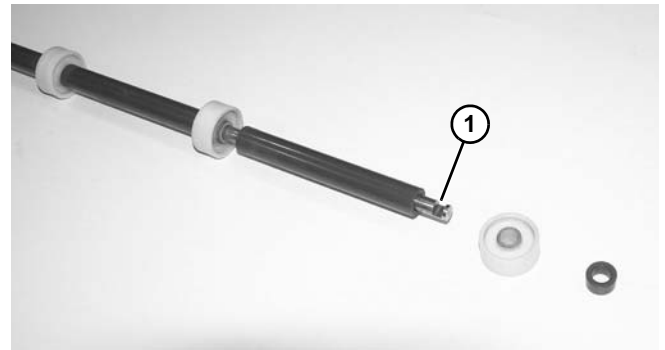


Figure 83

6. Raise clip bracket (Figure 84, item 1) from shaft bracket (Figure 84, item 2) on conveyor.

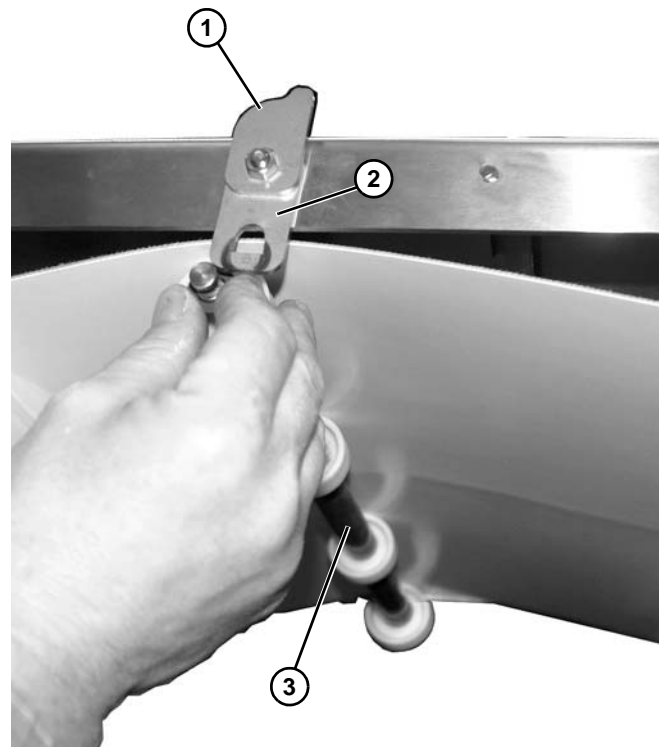


Figure 84

7. Install roller assembly (Figure 84, item 3) onto shaft brackets (Figure 84, item 2) on both sides of conveyor.

Preventive Maintenance and Adjustment

8. Make certain notch (**Figure 85, item 1**) in shaft is inserted into shaft bracket (**Figure 85, item 2**), and lower clip bracket (**Figure 85, item 3**) over shaft and shaft bracket. Repeat on opposite side of conveyor.

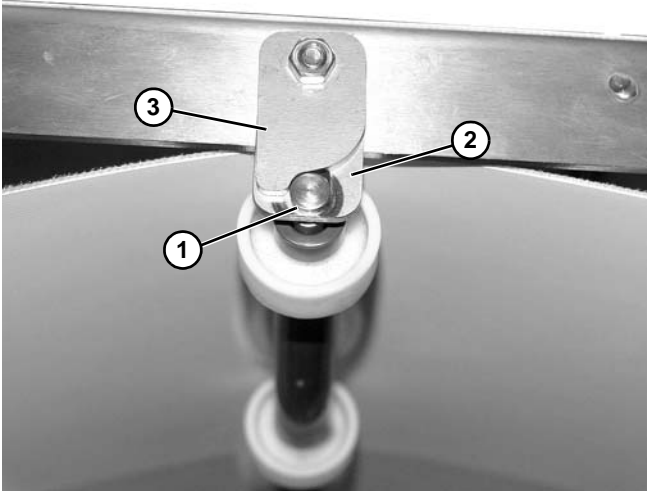


Figure 85

9. Tighten nut (**Figure 86, item 1**).

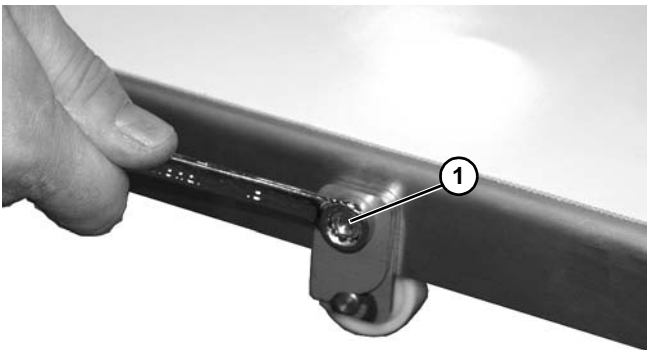

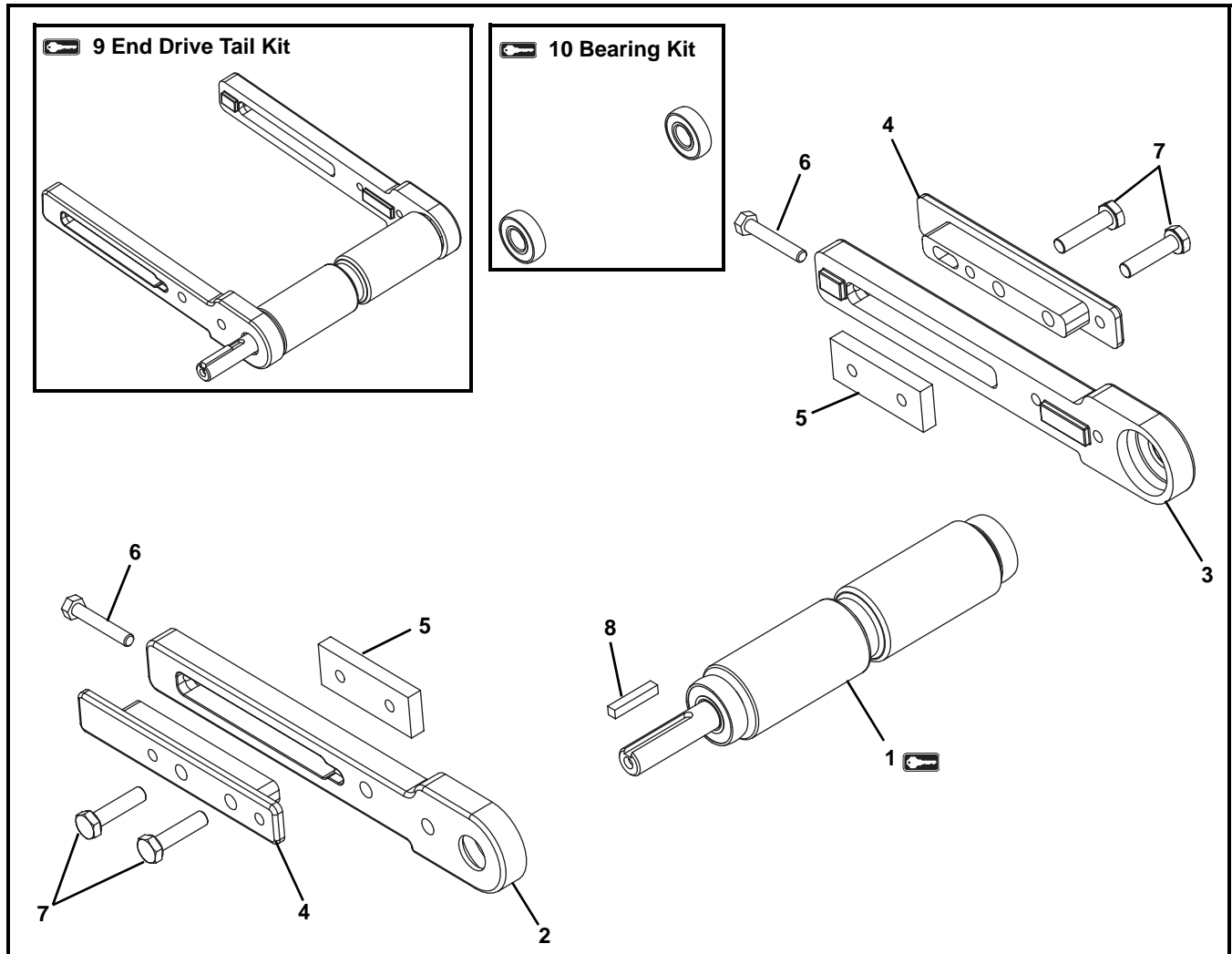



Figure 86

NOTE

For replacement parts other than those shown in this section, contact an authorized Dorner distributor or Dorner directly. Recommended Critical Service Parts and Kits are identified by the Key Service Parts symbol . Dorner recommends keeping these parts on hand.

End Drive Tail



Item	Part Number	Description
1	531158- <u>WWW</u>	Drive Spindle Assembly
	 531159- <u>WWW</u>	Dual Shaft Drive Spindle Assembly
2	530968	Head Plate, Right Hand
3	530969	Head Plate, Left Hand
4	530970	Clamping Block
5	530971	Locknut Plate
6	960530MSS	Hex Head Cap Screw, M5-0.80 x 30 mm
7	960625MSS	Hex Head Cap Screw, M6-1.00 x 25 mm
8	980422MSS	Square Key, 4 mm x 22 mm

Item	Part Number	Description
9	531160- <u>WWW</u>	Drive Tail Kit for A & B Drive Position Conveyors (Includes Items 1, 2, 3, and 8)
	531161- <u>WWW</u>	Drive Tail Kit for C & D Drive Position Conveyors (Includes Items 1, 2, 3, and 8)
	531162- <u>WWW</u>	Dual Shaft Drive Tail Kit (Includes Items 1, 2, 3, and 8)
10	531155	Bearing Kit

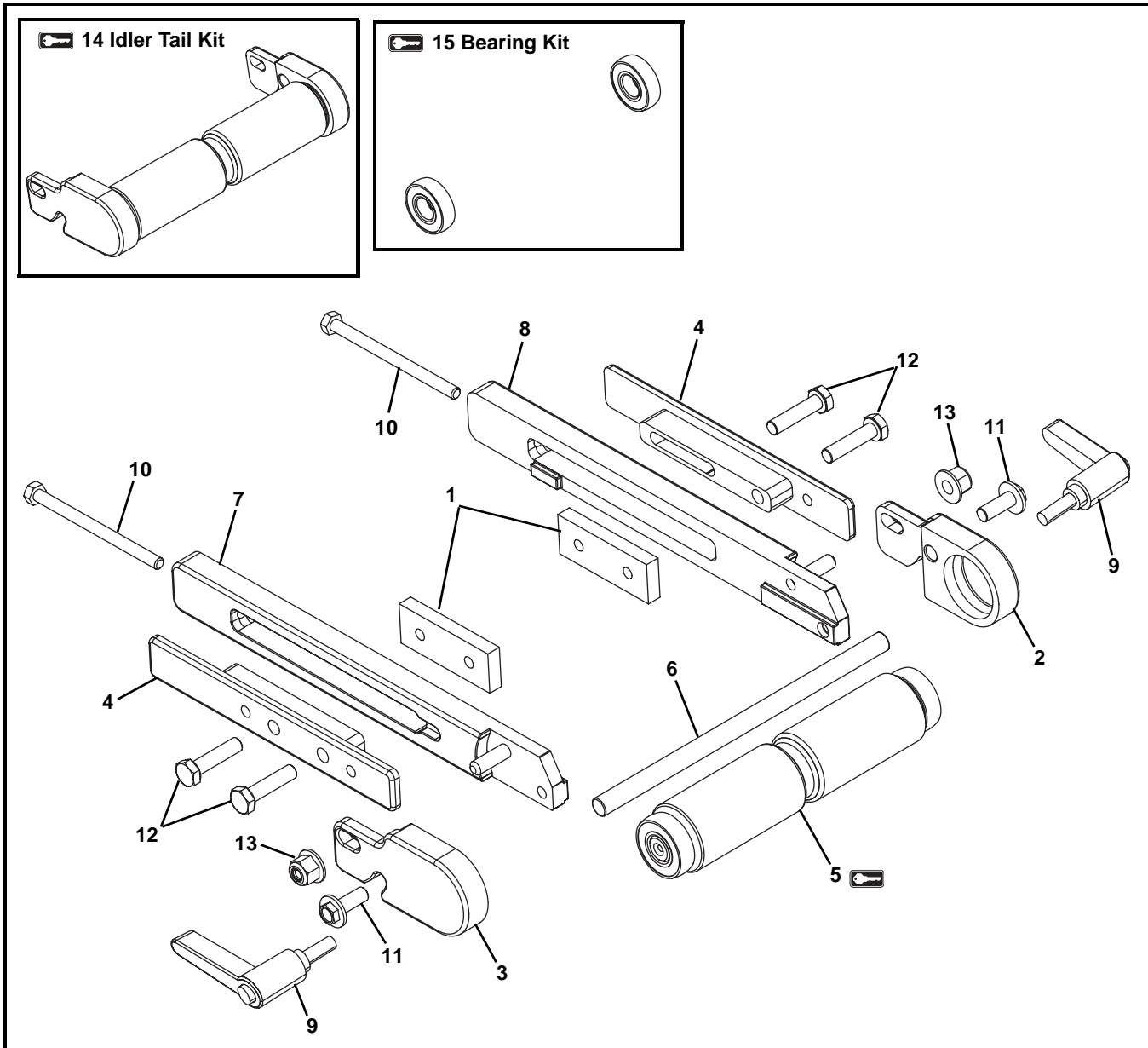
WWW = Conveyor width reference in mm 070, 095, 152, 203, 254, 305, 406, & 457

See Specifications chart on page 7 for conveyor belt widths.

Service parts can be obtained through your distributor or directly from Dorner Mfg. Corp. (800) 397-8664 or customerservice@dorner.com

Service Parts

Idler Tail



Item	Part Number	Description
1	530971	Locknut Plate
2	530973	Tip Up Plate, Right Hand
3	530974	Tip Up Plate, Left Hand
4	530982	Clamping Block
5	531156- <u>WWW</u>	Idler Spindle Assembly
6	531147- <u>WWW</u>	Round Shaft
7	531148-LH	Tension Headplate, Left Hand
8	531148-RH	Tension Headplate, Right Hand
9	807-3268	Handles for Tool-less Tip Up Tail only
10	960570MSS	Hex Head Cap Screw, M6-1.00 x 70 mm
11	960616MSSF	Flanged Hex Head Cap Screw, M6-1.00 x 16 mm

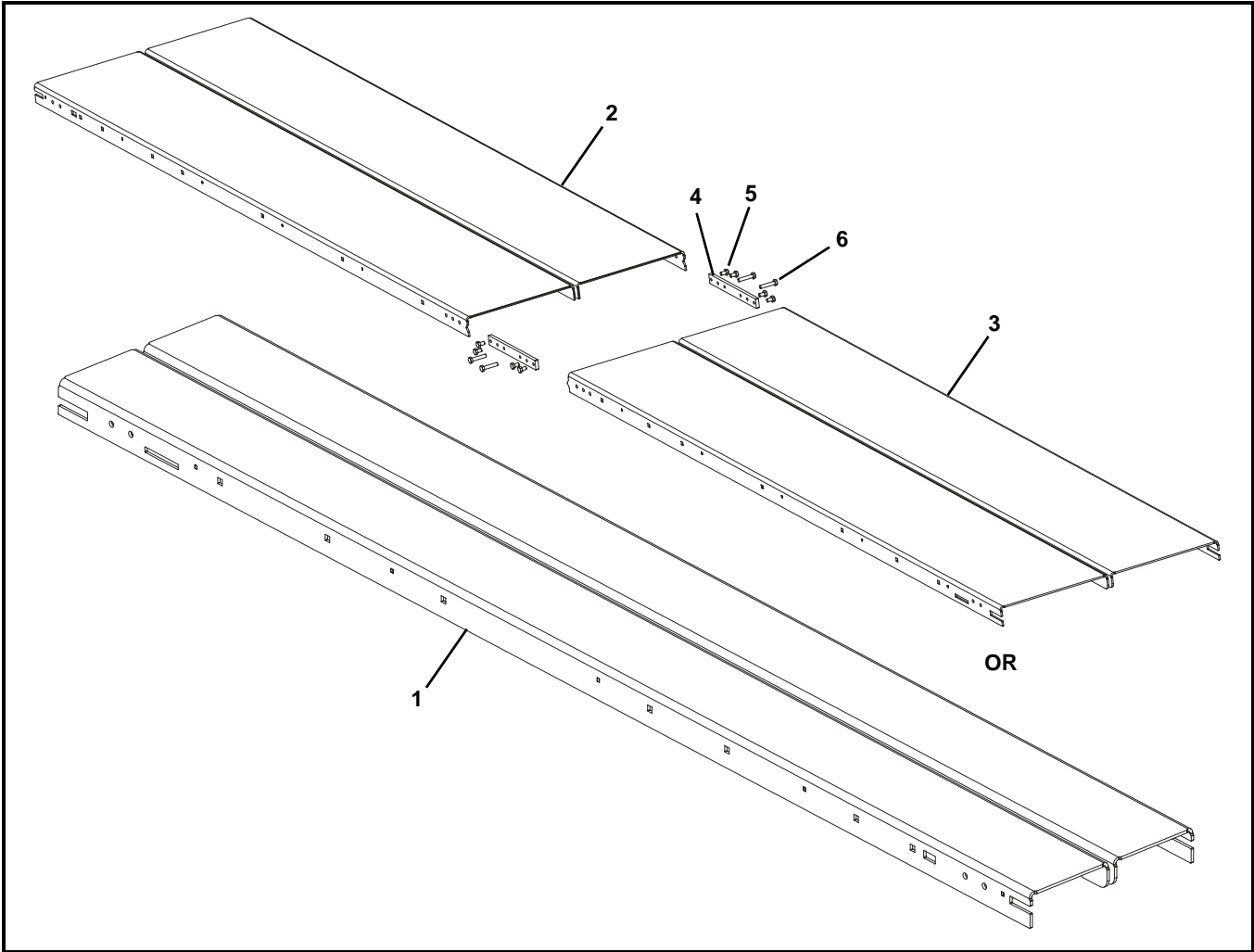
Item	Part Number	Description
12	960625MSS	Hex Head Cap Screw, M6-1.00 x 25 mm
13	990612MSS	Lock Nut, M6-1.00
14	531157- <u>WWW</u>	Idler Tail Kit (Includes items 2, 3, and 5)
15	531155	Bearing Kit

WWW = Conveyor width reference in mm 070, 095, 152, 203, 254, 305, 406, & 457

See Specifications chart on page 7 for conveyor belt widths.

Service parts can be obtained through your distributor or directly from Dorner Mfg. Corp. (800) 397-8664 or customerservice@dorner.com

Frame

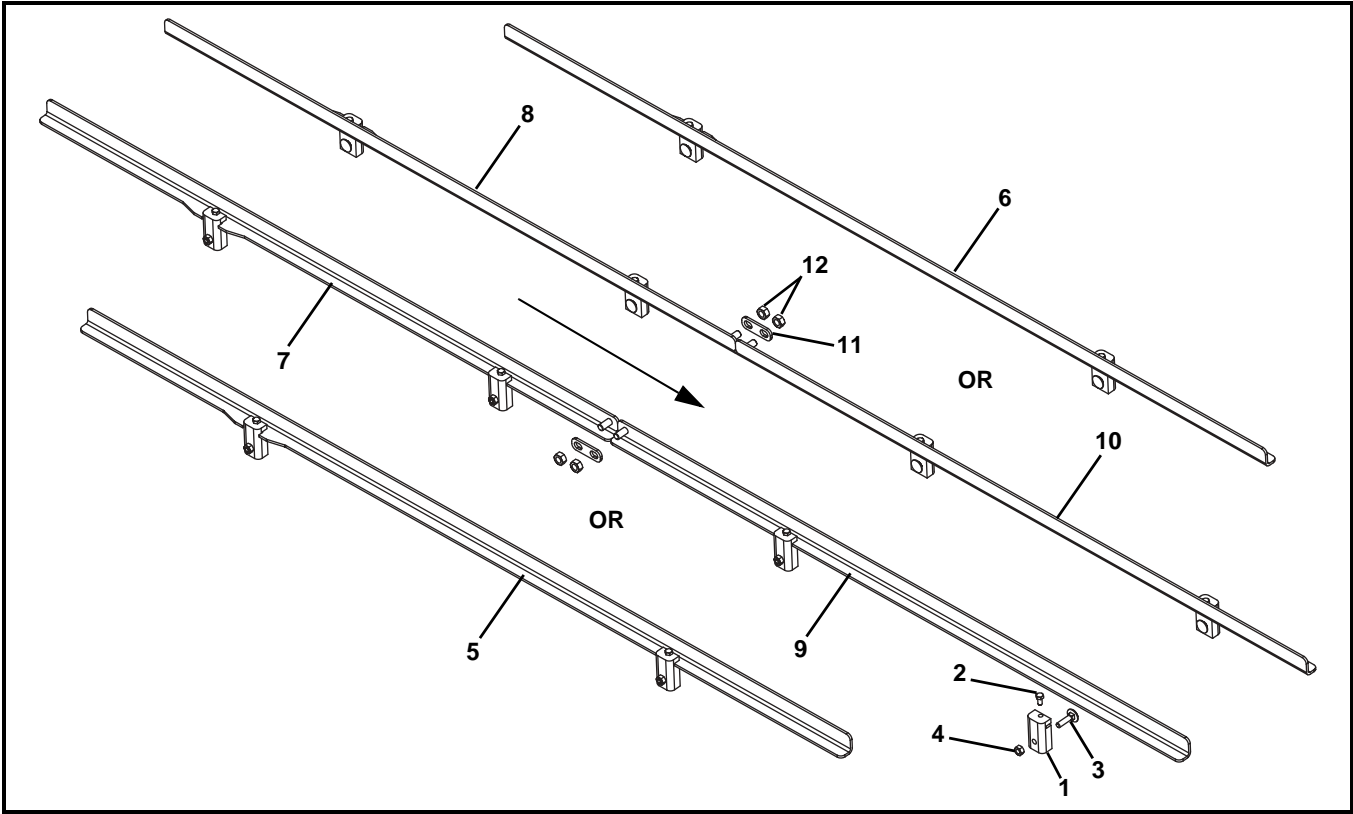


Item	Part Number	Description
1	530978- <u>WWW</u> - <u>LLLLL</u>	Frame Assembly for Single Piece Frame
2	531077- <u>WWW</u> - <u>LLLLL</u>	Drive End Frame Assembly for Multi Piece Frame
3	531078- <u>WWW</u> - <u>LLLLL</u>	Idler End Frame Assembly for Multi Piece Frame
4	531074	Connecting Bar for Multi Piece Frame only
5	960610MSS	Hex Head Cap Screw, M6-1.00 x 10 mm for Multi Piece Frame only

Item	Part Number	Description
6	960630MSS	Hex Head Cap Screw, M6-1.00 x 30 mm for Multi Piece Frame only
<p><u>WWW</u> = Conveyor width reference in mm 070, 095, 152, 203, 254, 305, 406, & 457</p> <p><u>LLLLL</u> = Part length in mm.</p> <p>Example: Part length = 1000 mm <u>LLLLL</u> = 01000</p> <p>See Specifications chart on page 7 for conveyor belt widths and lengths.</p> <p>Service parts can be obtained through your distributor or directly from Dorner Mfg. Corp. (800) 397-8664 or customerservice@dorner.com</p>		

Service Parts

25 mm High Sides



Item	Part Number	Description
1	531100	Mounting Block
2	960510MSS	Hex Head Cap Screw, M5-0.80 x 10 mm
3	900625MSS	Carriage Bolt, M6 x 25 mm
4	990601MSS	Nut, M6
5	531102-025- <u>LLLLL</u> -RH	25 mm High Side for Single Piece Guides, Right Hand
6	531102-025- <u>LLLLL</u> -LH	25 mm High Side for Single Piece Guides, Left Hand
7	531103-025- <u>LLLLL</u> -RH	25 mm High Side for Multi Piece Guides, Infeed, Right Hand
8	531103-025- <u>LLLLL</u> -LH	25 mm High Side for Multi Piece Guides, Infeed, Left Hand
9	531104-025- <u>LLLLL</u> -RH	25 mm High Side for Multi Piece Guides, Discharge, Right Hand
10	531104-025- <u>LLLLL</u> -LH	25 mm High Side for Multi Piece Guides, Discharge, Left Hand
11	516935	Guiding Connector Plate
12	990801MSS	Hex Nut, M8-1.25

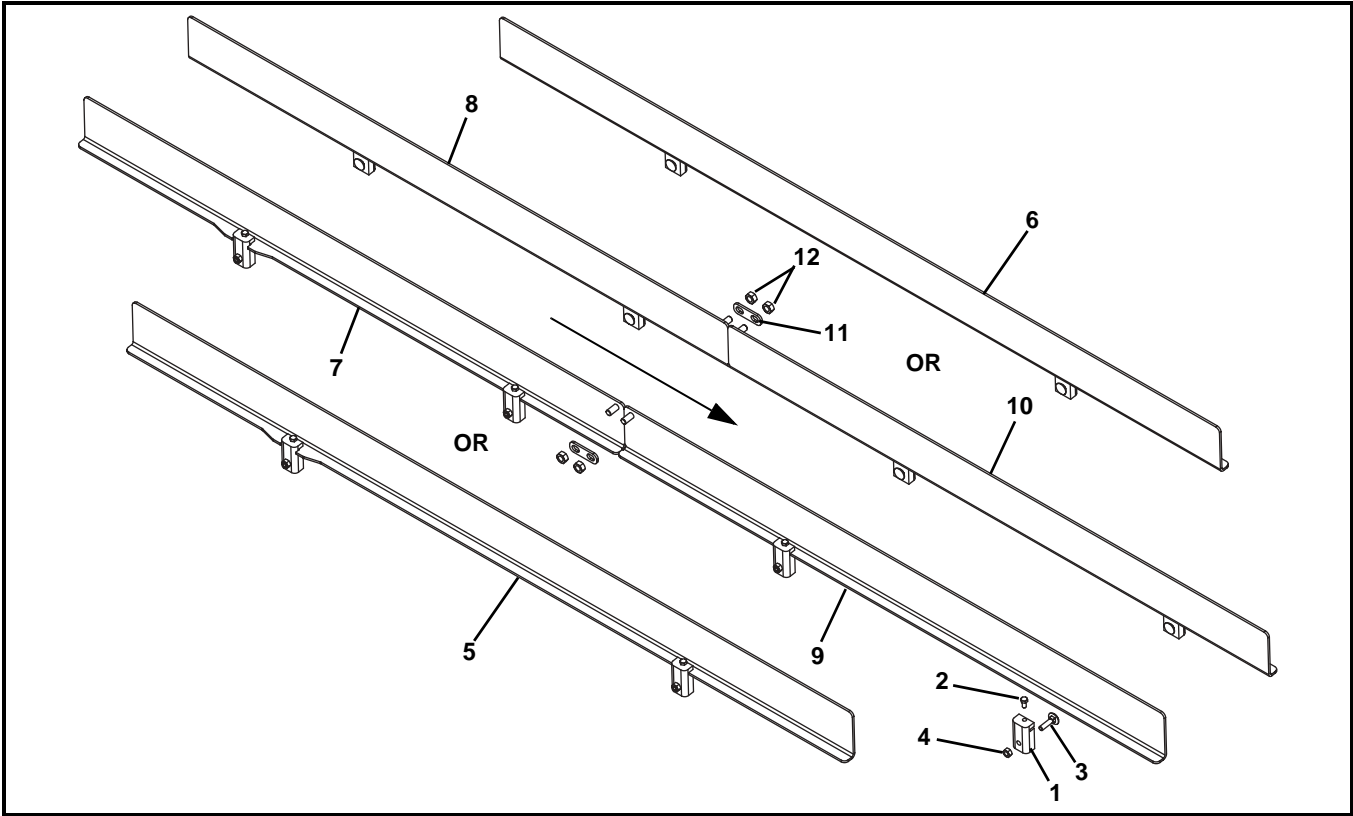
LLLLL = Part length in mm.

Example: Part length = 1000 mm LLLLL = 01000

See Specifications chart on page 7 for conveyor belt lengths.

Service parts can be obtained through your distributor or directly from Dorner Mfg. Corp. (800) 397-8664 or customerservice@dorner.com

75 mm High Sides



Item	Part Number	Description
1	531100	Mounting Block
2	960510MSS	Hex Head Cap Screw, M5-0.80 x 10 mm
3	900625MSS	Carriage Bolt, M6 x 25 mm
4	990601MSS	Nut, M6
5	531102-075- <u>LLLLL</u> -RH	75 mm High Side for Single Piece Guides, Right Hand
6	531102-075- <u>LLLLL</u> -LH	75 mm High Side for Single Piece Guides, Left Hand
7	531103-075- <u>LLLLL</u> -RH	75 mm High Side for Multi Piece Guides, Infeed, Right Hand
8	531103-075- <u>LLLLL</u> -LH	75 mm High Side for Multi Piece Guides, Infeed, Left Hand
9	531104-075- <u>LLLLL</u> -RH	75 mm High Side for Multi Piece Guides, Discharge, Right Hand
10	531104-075- <u>LLLLL</u> -LH	75 mm High Side for Multi Piece Guides, Discharge, Left Hand
11	516935	Guiding Connector Plate
12	990801MSS	Hex Nut, M8-1.25

LLLLL = Part length in mm.

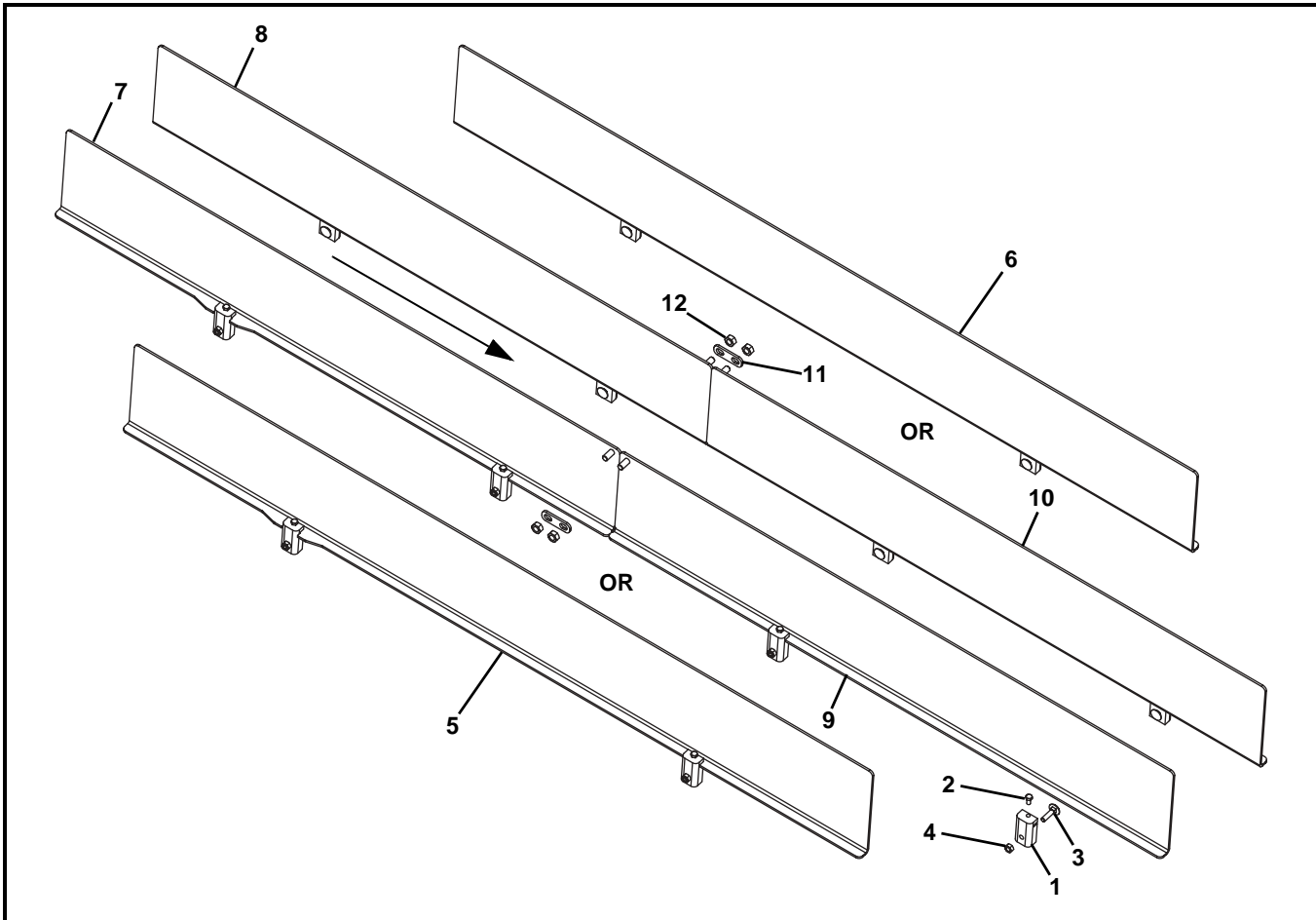
Example: Part length = 1000 mm LLLLL = 01000

See Specifications chart on page 7 for conveyor belt lengths.

Service parts can be obtained through your distributor or directly from Dorner Mfg. Corp. (800) 397-8664 or customerservice@dorner.com

Service Parts

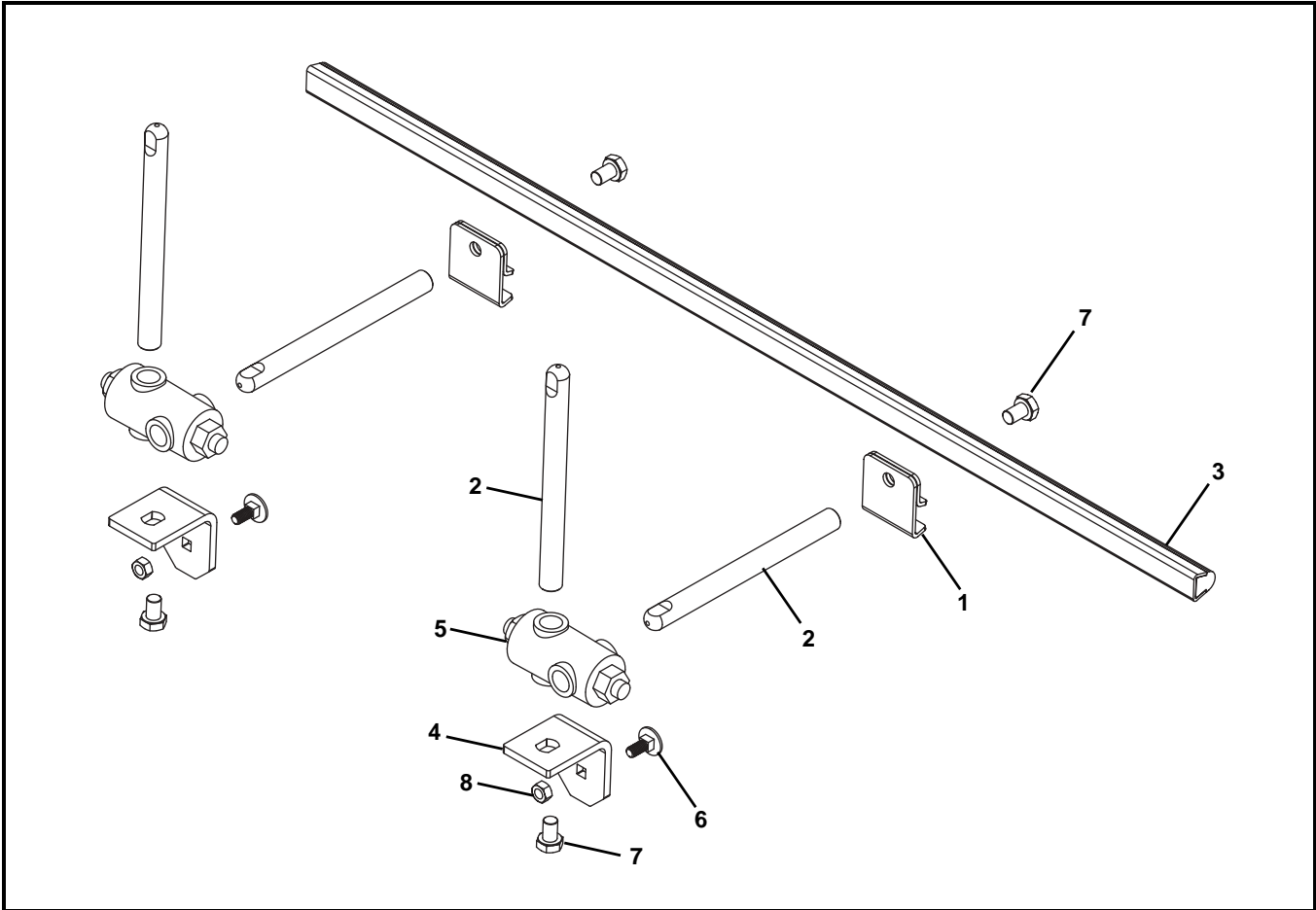
152 mm High Sides



Item	Part Number	Description
1	531100	Mounting Block
2	960510MSS	Hex Head Cap Screw, M5-0.80 x 10 mm
3	900625MSS	Carriage Bolt, M6 x 25 mm
4	990601MSS	Nut, M6
5	531102-152-LLLLL-RH	152 mm High Side for Single Piece Guides, Right Hand
6	531102-152-LLLLL-LH	152 mm High Side for Single Piece Guides, Left Hand
7	531103-152-LLLLL-RH	152 mm High Side for Multi Piece Guides, Infeed, Right Hand
8	531103-152-LLLLL-LH	152 mm High Side for Multi Piece Guides, Infeed, Left Hand

Item	Part Number	Description
9	531104-152-LLLLL-RH	152 mm High Side for Multi Piece Guides, Discharge, Right Hand
10	531104-152-LLLLL-LH	152 mm High Side for Multi Piece Guides, Discharge, Left Hand
11	516935	Guiding Connector Plate
12	990801MSS	Hex Nut, M8-1.25
LLLLL = Part length in mm.		
Example: Part length = 1000 mm LLLLL = 01000		
See Specifications chart on page 7 for conveyor belt lengths.		
Service parts can be obtained through your distributor or directly from Dorner Mfg. Corp. (800) 397-8664 or customerservice@dorner.com		

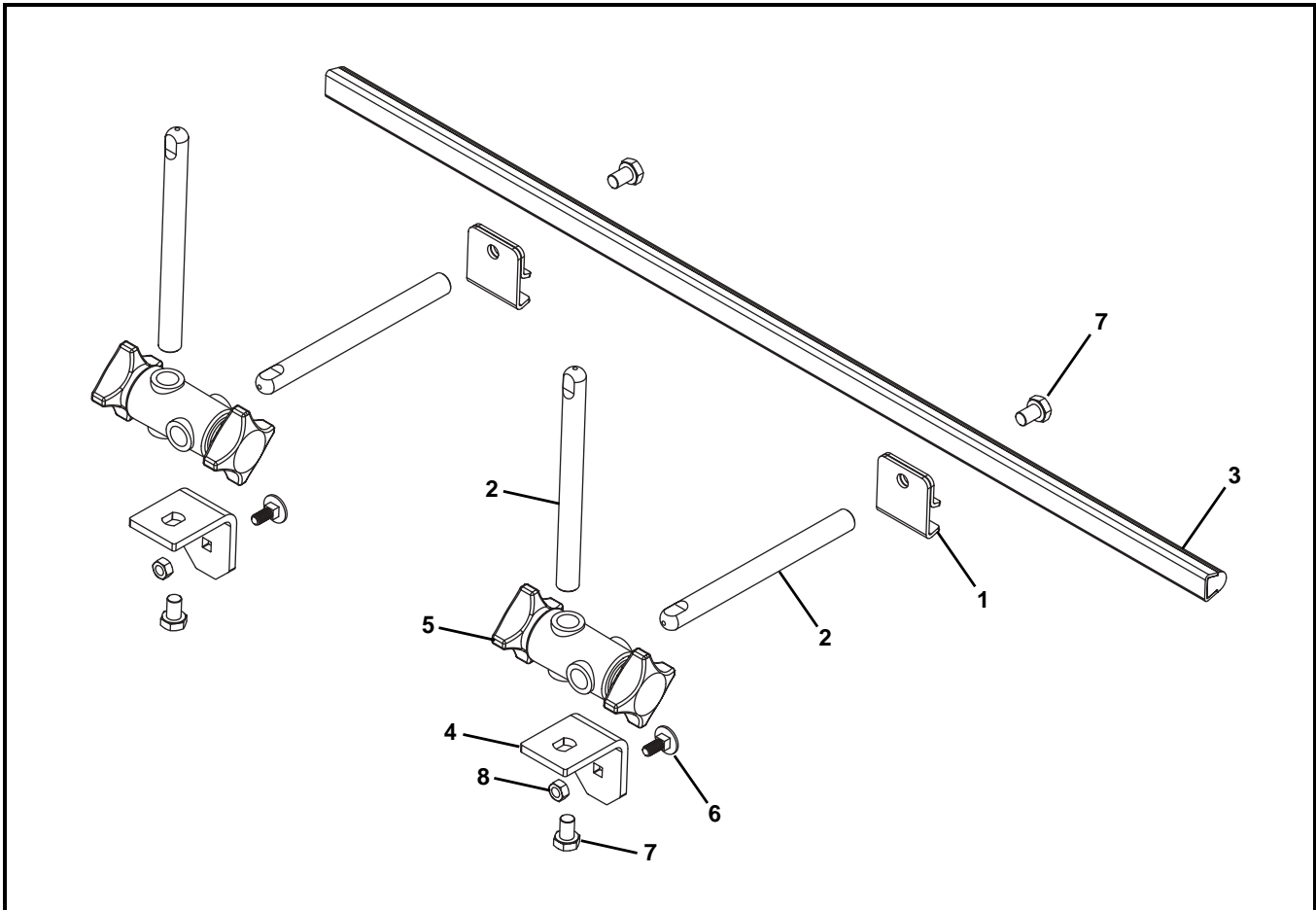
Fully Adjustable Guides



Item	Part Number	Description
1	531145	Guide Bracket
2	532300	Post
3	532167-LLLLL-M	Round Guide Rail
4	807-015	Rail Clamp
5	807-1387	Cross Block
6	900616MSS	Carriage Bolt, M6 x 16 mm
7	960812MSS	Hex Head Cap Screw, M8-1.25 x 12 mm
8	990601MSS	Nut, M6
LLLLL = Part length in mm.		
Example: Part length = 1000 mm LLLLL = 01000		
See Specifications chart on page 7 for conveyor belt lengths.		
Service parts can be obtained through your distributor or directly from Dorner Mfg. Corp. (800) 397-8664 or customerservice@dorner.com		

Service Parts

Tool-Less Fully Adjustable Guides



Item	Part Number	Description
1	531145	Guide Bracket
2	532300	Post
3	532167-LLLLL-M	Round Guide Rail
4	807-015	Rail Clamp
5	807-1470	Tool-less Cross Block
6	900616MSS	Carriage Bolt, M6 x 16 mm
7	960812MSS	Hex Head Cap Screw, M8-1.25 x 12 mm
8	990601MSS	Nut, M6

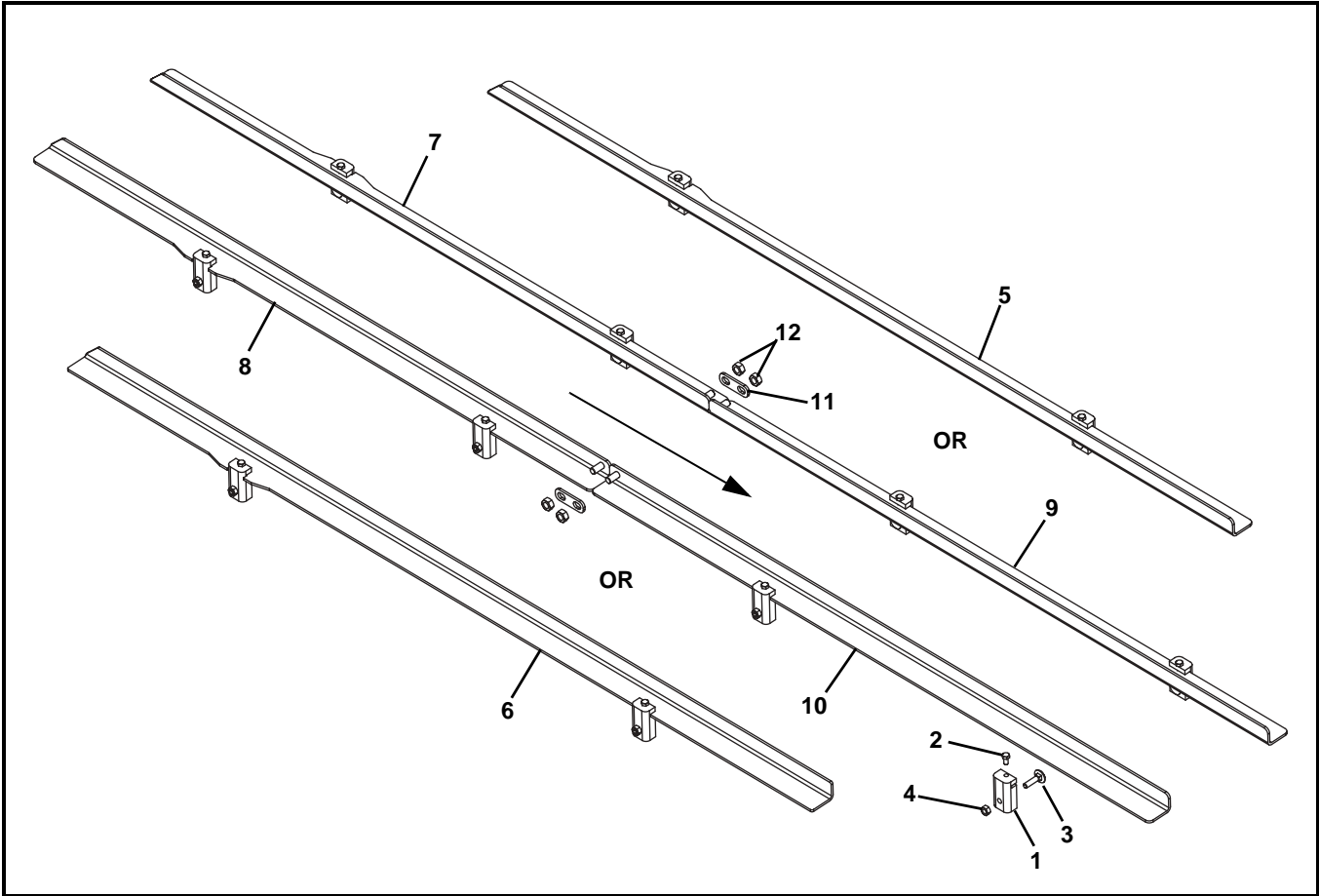
LLLLL = Part length in mm.

Example: Part length = 1000 mm LLLLL = 01000

See Specifications chart on page 7 for conveyor belt lengths.

Service parts can be obtained through your distributor or directly from Dorner Mfg. Corp. (800) 397-8664 or customerservice@dorner.com

25 mm Cleated High Sides

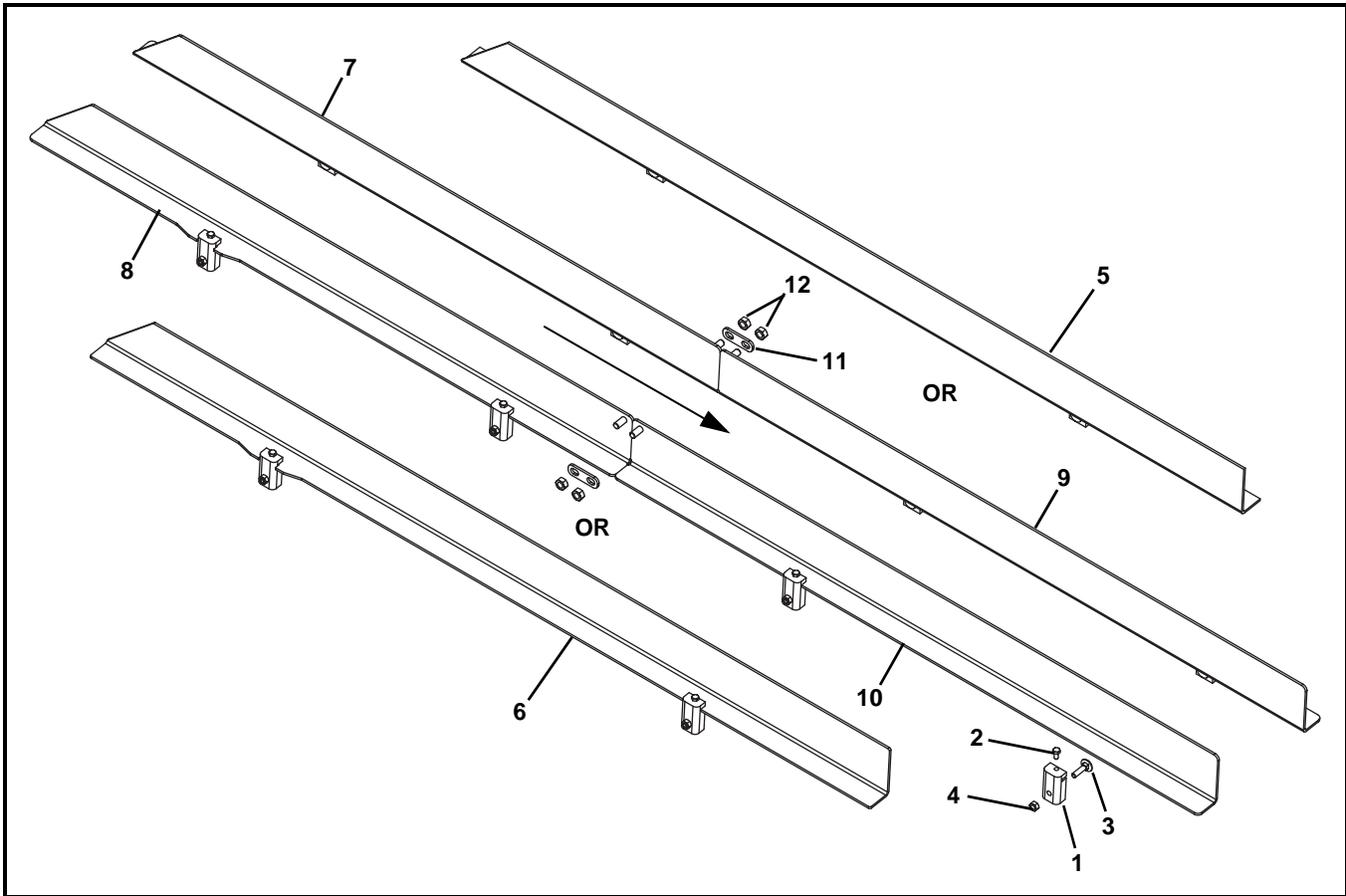


Item	Part Number	Description
1	531100	Mounting Block
2	960510MSS	Hex Head Cap Screw, M5-0.80 x 10 mm
3	900625MSS	Carriage Bolt, M6 x 25 mm
4	990601MSS	Nut, M6
5	531144-025-LLLLL-LH	25 mm Cleated High Side for Single Piece Guides, Left Hand
6	531144-025-LLLLL-RH	25 mm Cleated High Side for Single Piece Guides, Right Hand
7	531140-025-LLLLL-LH	25 mm Cleated High Side for Infeed section, Infeed, Left Hand
8	531140-025-LLLLL-RH	25 mm Cleated High Side for Infeed section, Infeed, Right Hand

Item	Part Number	Description
9	531141-025-LLLLL-LH	25 mm Cleated High Side for Discharge section, Discharge, Left Hand
10	531141-025-LLLLL-RH	25 mm Cleated High Side for Discharge section, Discharge, Right Hand
11	516935	Guiding Connector Plate
12	990801MSS	Hex Nut, M8-1.25
LLLLL = Part length in mm.		
Example: Part length = 1000 mm LLLLL = 01000		
See Specifications chart on page 7 for conveyor belt lengths.		
Service parts can be obtained through your distributor or directly from Dorner Mfg. Corp. (800) 397-8664 or customerservice@dorner.com		

Service Parts

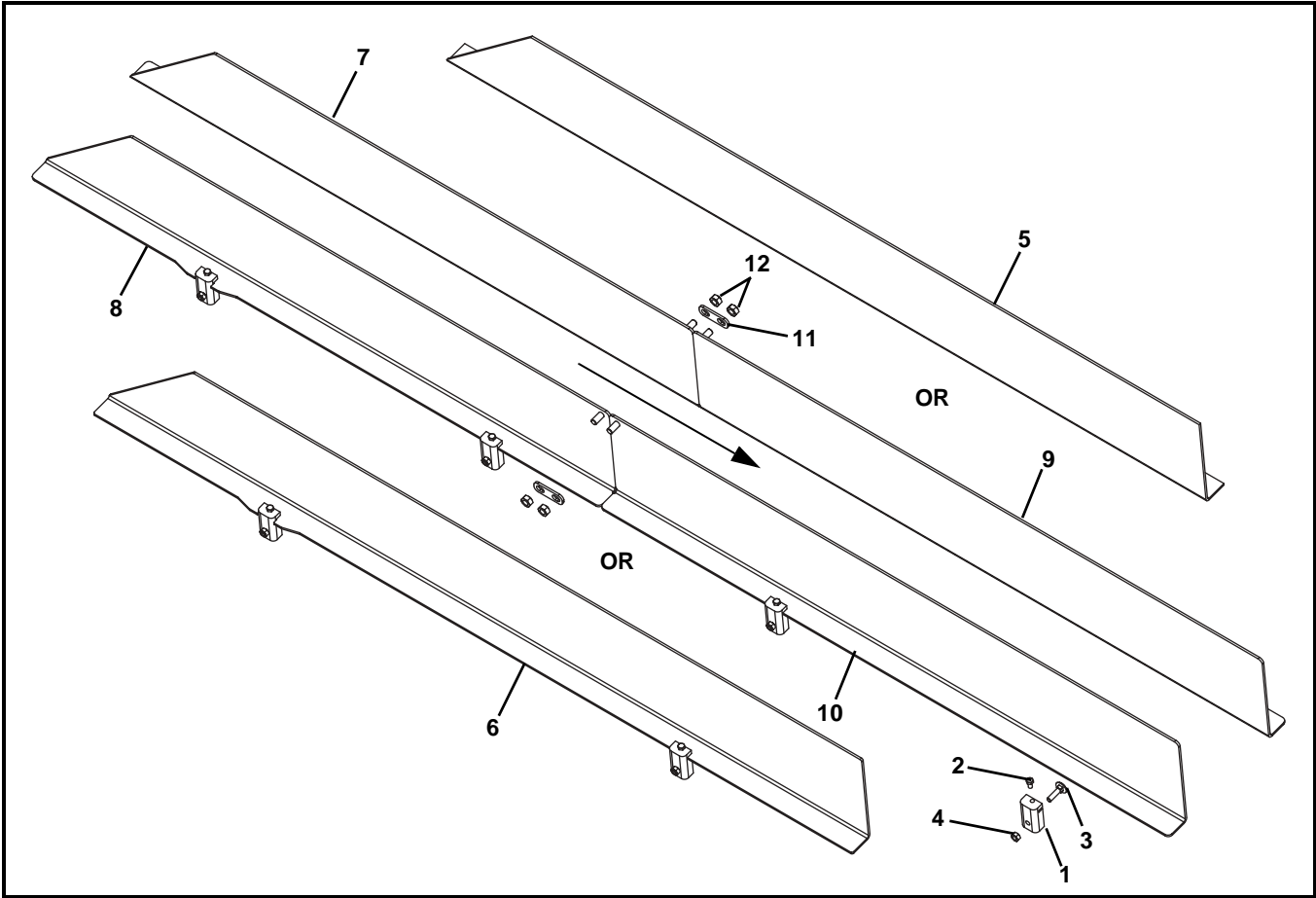
75 mm Cleated High Sides



Item	Part Number	Description
1	531100	Mounting Block
2	960510MSS	Hex Head Cap Screw, M5-0.80 x 10 mm
3	900625MSS	Carriage Bolt, M6 x 25 mm
4	990601MSS	Nut, M6
5	531144-075-LLLLL-LH	75 mm Cleated High Side for Single Piece Guides, Left Hand
6	531144-075-LLLLL-RH	75 mm Cleated High Side for Single Piece Guides, Right Hand
7	531140-075-LLLLL-LH	75 mm Cleated High Side for Infeed section, Infeed, Left Hand
8	531140-075-LLLLL-RH	75 mm Cleated High Side for Infeed section, Infeed, Right Hand

Item	Part Number	Description
9	531141-075-LLLLL-LH	75 mm Cleated High Side for Discharge section, Discharge, Left Hand
10	531141-075-LLLLL-RH	75 mm Cleated High Side for Discharge section, Discharge, Right Hand
11	516935	Guiding Connector Plate
12	990801MSS	Hex Nut, M8-1.25
LLLLL = Part length in mm.		
Example: Part length = 1000 mm LLLLL = 01000		
See Specifications chart on page 7 for conveyor belt lengths.		
Service parts can be obtained through your distributor or directly from Dorner Mfg. Corp. (800) 397-8664 or customerservice@dorner.com		

152 mm Cleated High Sides

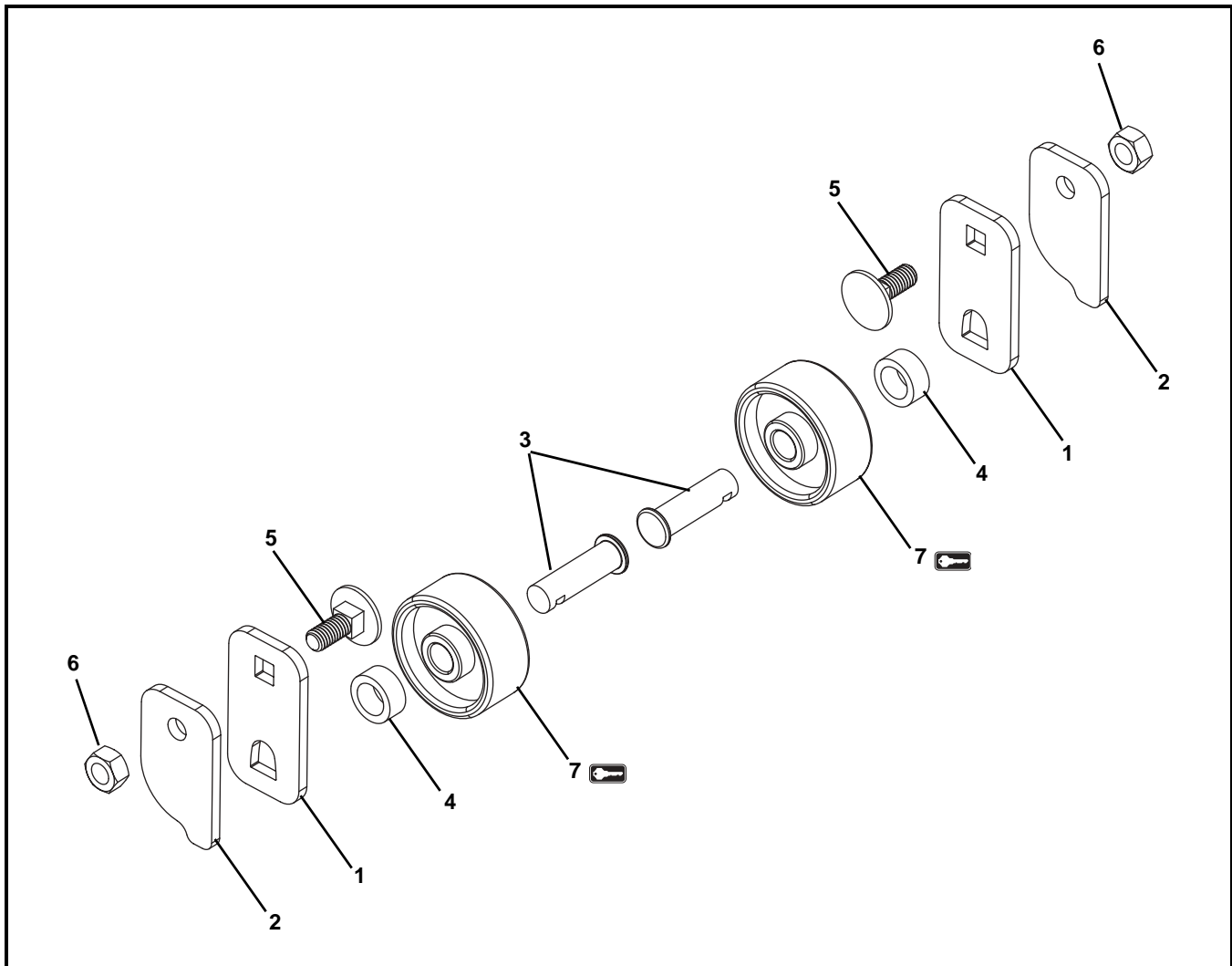


Item	Part Number	Description
1	531100	Mounting Block
2	960510MSS	Hex Head Cap Screw, M5-0.80 x 10 mm
3	900625MSS	Carriage Bolt, M6 x 25 mm
4	990601MSS	Nut, M6
5	531144-152-LLLLL-LH	152 mm Cleated High Side for Single Piece Guides, Left Hand
6	531144-152-LLLLL-RH	152 mm Cleated High Side for Single Piece Guides, Right Hand
7	531140-152-LLLLL-LH	152 mm Cleated High Side for Infeed section, Infeed, Left Hand
8	531140-152-LLLLL-RH	152 mm Cleated High Side for Infeed section, Infeed, Right Hand

Item	Part Number	Description
9	531141-152-LLLLL-LH	152 mm Cleated High Side for Discharge section, Discharge, Left Hand
10	531141-152-LLLLL-RH	152 mm Cleated High Side for Discharge section, Discharge, Right Hand
11	516935	Guiding Connector Plate
12	990801MSS	Hex Nut, M8-1.25
LLLLL = Part length in mm.		
Example: Part length = 1000 mm LLLLL = 01000		
See Specifications chart on page 7 for conveyor belt lengths.		
Service parts can be obtained through your distributor or directly from Dorner Mfg. Corp. (800) 397-8664 or customerservice@dorner.com		

Service Parts

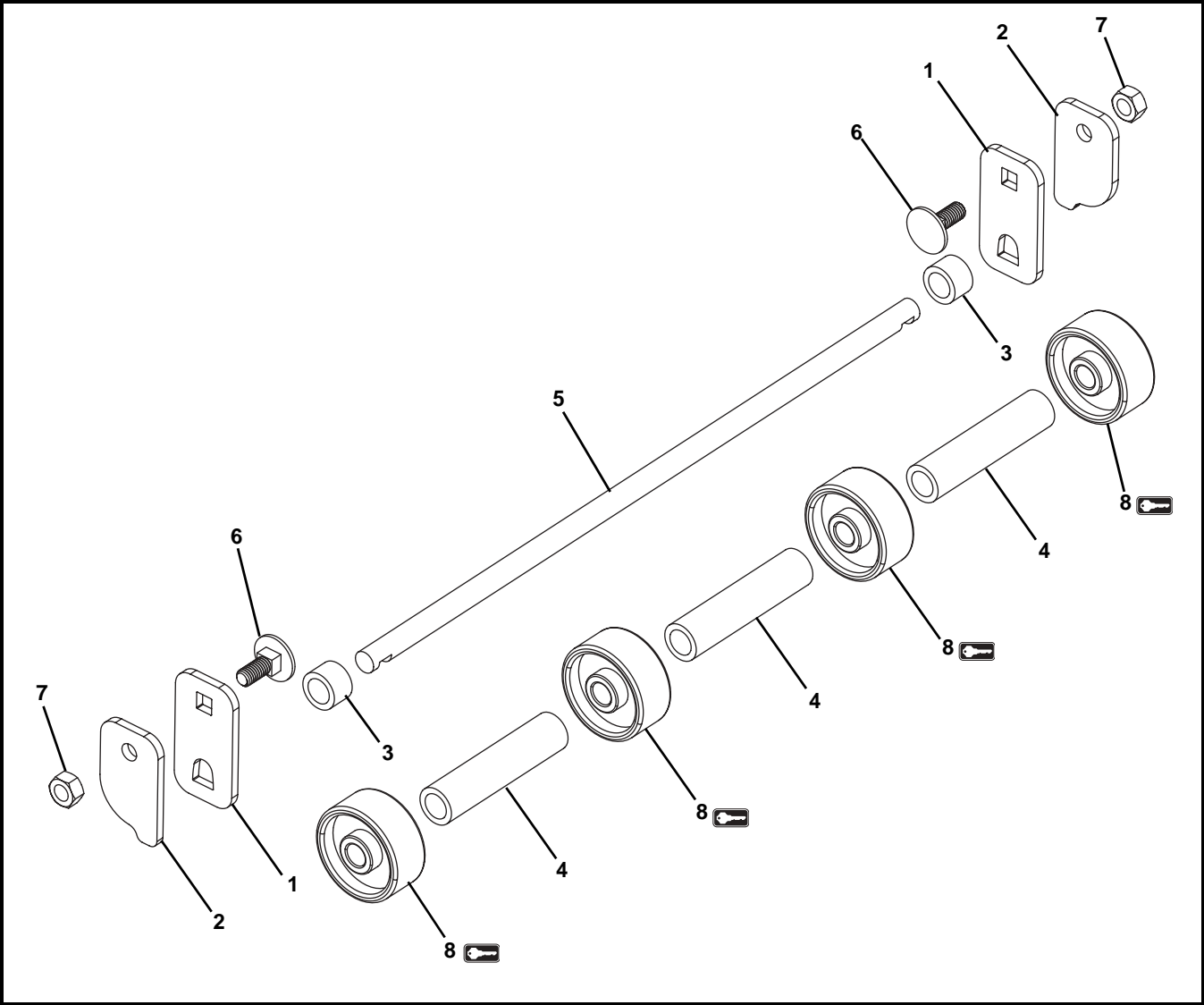
Return Rollers for Flat Belt Conveyors 70 mm - 152 mm & Cleated Belt Conveyors




Item	Part Number	Description
1	531065	Shaft Bracket
2	531066	Clip Bracket
3	531067	Stub Shaft
4	531069-0006	Spacer Tube
5	807-4103	Carriage Bolt, M6 x 16 mm
6	990601MSS	Nut, M6
7	FAFR-35	Roller

Service parts can be obtained through your distributor or directly from Dorner Mfg. Corp. (800) 397-8664 or customerservice@dorner.com

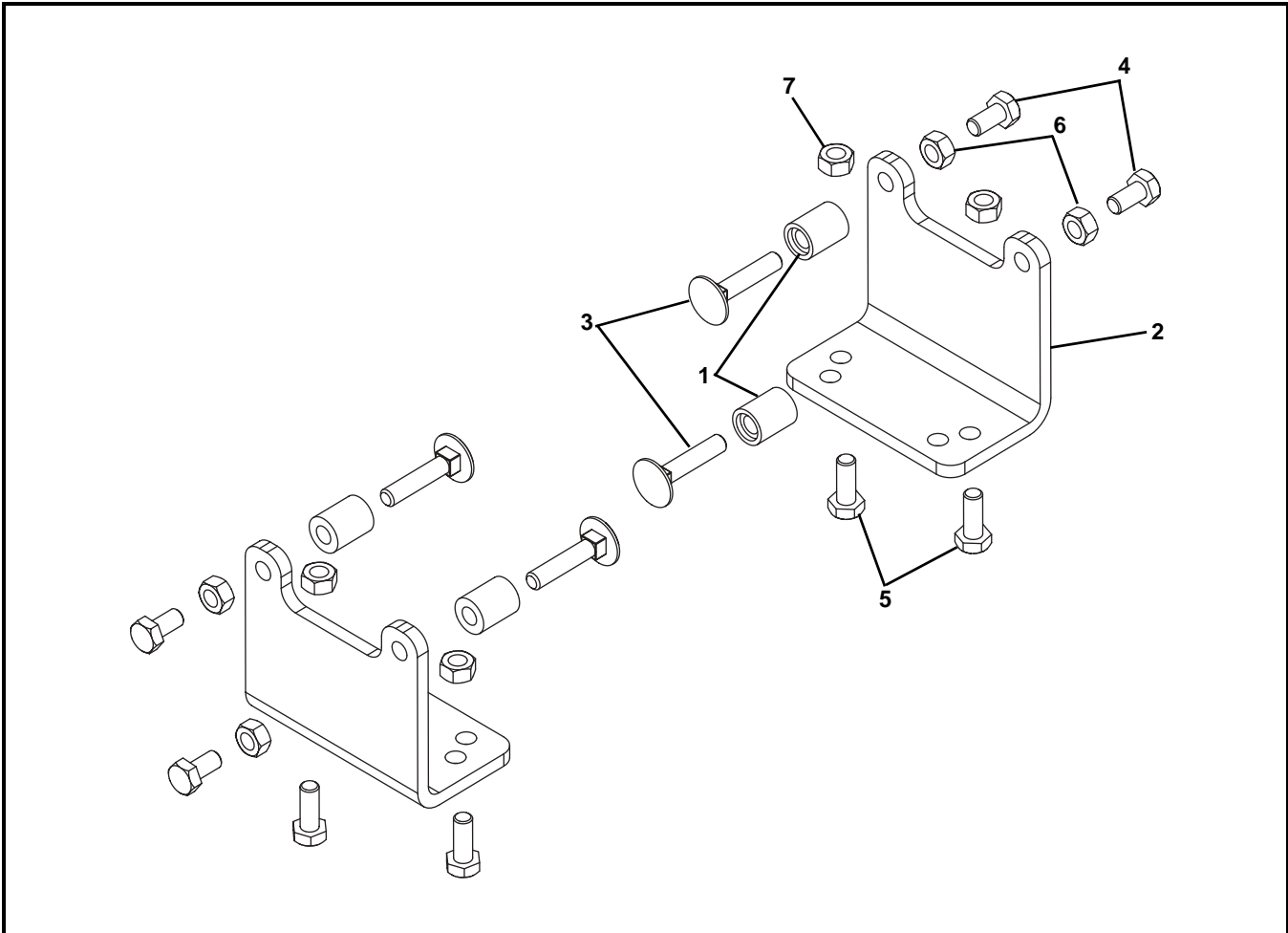
Return Rollers for Flat Belt Conveyors Over 152 mm Wide



Item	Part Number	Description
1	531065	Shaft Bracket
2	531066	Clip Bracket
3	531069-0009	End Spacer Tube
4	531069- <u>LLLL</u>	Spacer Tube
5	531070- <u>WWW</u>	Shaft
6	807-4103	Carriage Bolt, M6 x 16 mm
7	990601MSS	Nut, M6
8	FAFR-35	Roller
		
<u>LLLL</u> = Part length in mm. Example: Part length = 650 mm <u>LLLL</u> = 0650		
<u>WWW</u> = Conveyor width reference in mm 070, 095, 152, 203, 254, 305, 406, & 457		
See Specifications chart on page 7 for conveyor belt lengths and widths.		
Service parts can be obtained through your distributor or directly from Dorner Mfg. Corp. (800) 397-8664 or customerservice@dorner.com		

Service Parts

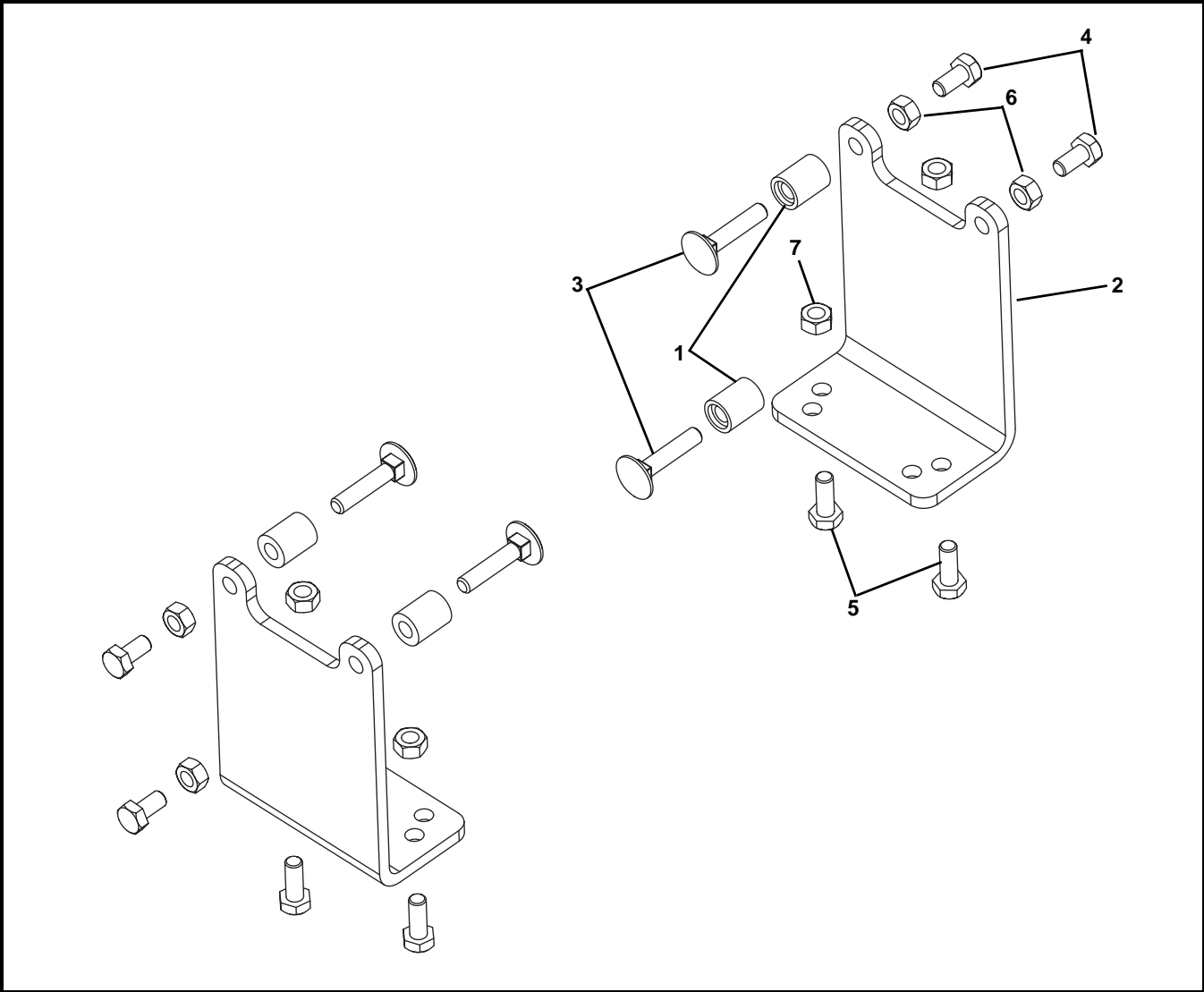
Table Top Mounting Brackets For Flat Belt Conveyors



Item	Part Number	Description
1	531092	Spacer (conveyor frame mount)
2	531149	Bracket
3	900630MSS	Carriage Bolt, M6 x 30 mm (conveyor frame mount)
4	960612MSS	Hex Head Cap Screw, M6-1.00 x 12 mm (conveyor tail mount)
5	960616MSS	Hex Head Cap Screw, M6-1.00 x 16 mm
6	990601MSS	Nut, M6 (conveyor frame mount)
7	990601MSS	Nut, M6

Service parts can be obtained through your distributor or directly from Dorner Mfg. Corp. (800) 397-8664 or customerservice@dorner.com

Table Top Mounting Brackets For Cleated Belt Conveyors



Item	Part Number	Description
1	531092	Spacer (conveyor frame mount)
2	531117	Bracket
3	900630MSS	Carriage Bolt, M6 x 30 mm (conveyor frame mount)
4	960612MSS	Hex Head Cap Screw, M6-1.00 x 12 mm (conveyor tail mount)
5	960616MSS	Hex Head Cap Screw, M6-1.00 x 16 mm
6	990601MSS	Nut, M6 (conveyor frame mount)
7	990601MSS	Nut, M6
Service parts can be obtained through your distributor or directly from Dorner Mfg. Corp. (800) 397-8664 or customerservice@dorner.com		

Service Parts

Configuring Conveyor Belt Part Number

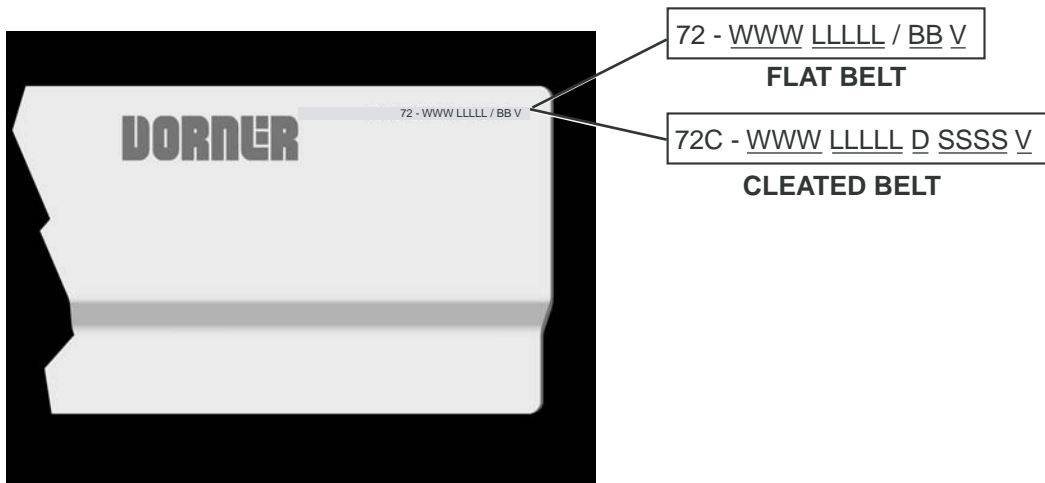


Figure 87

Flat Belt Part Number Configuration

Refer to model number on the conveyor frame (Figure 87). From the model number determine the conveyor width (WWW), length (LLLLL) and belt type (BB). Use data to configure belt part number as indicated below. *Add “V” for v-guided belts or add “VG” for 06, 08, 57, 59, and 64 v-guided belt types.

72-WWW LLLLL / BB V*
72- _____ / _____ V*
 (Fill In)

Cleated Belt Part Number Configuration

Refer to model number on the conveyor frame (Figure 87). From the model number determine the conveyor width (WWW), length (LLLLL), cleat type (B) and cleat spacing (SSSS). Use data to configure belt part number as indicated below. *Add “V” for v-guided belts.

72C-WWW LLLLL B SSSS V*
72C- _____ B _____ V*
 (Fill In)

Return Policy

Returns must have prior written factory authorization or they will not be accepted. Items that are returned to Dorner without authorization will not be credited nor returned to the original sender. When calling for authorization, please have the following information ready for the Dorner factory representative or your local distributor:

1. Name and address of customer.
2. Dorner part number(s) of item(s) being returned.
3. Reason for return.
4. Customer's original order number used when ordering the item(s).
5. Dorner or distributor invoice number. Include part serial number if available.

A representative will discuss action to be taken on the returned items and provide a Returned Materials Authorization (RMA) number for reference. RMA will automatically close 30 days after being issued. To get credit, items must be new and undamaged. There will be a return charge on all items returned for credit, where Dorner was not at fault. It is the customer's responsibility to prevent damage during return shipping. Damaged or modified items will not be accepted. The customer is responsible for return freight.

Product Line	Product Type								Engineered to order parts
	Standard Products								
	Conveyors	Gearmotors & Mounting Packages	Support Stands	Accessories	Spare Parts (non-belt)	Spare Belts - Standard Flat Fabric	Spare Belts - Cleated & Spec. Fabric	Spare Belts - Plastic Chain	All equipment and parts
1100 Series	30% return fee for all products except: 50% return fee for conveyors with modular belt, cleated belt or speciality belts All Electrical items are assigned original manufacturers return policy.						non-returnable		case-by-case
2200 Series									
3200 Series									
Pallet Systems									
FlexMove/SmartFlex									
GAL Series									
All Electrical									
7100 Series	50% return fee for all products						non-returnable		case-by-case
7200/7300 Series									
AquaGard 7350 Series Version 2									
GES Series									
AquaGard 7350/7360 Series	non-returnable								
AquaPruf Series	non-returnable								

Returns will not be accepted after 60 days from original invoice date. The return charge covers inspection, cleaning, disassembly, disposal and reissuing of components to inventory. If a replacement is needed prior to evaluation of returned item, a purchase order must be issued. Credit (if any) is issued only after return and evaluation is complete.

Dorner has representatives throughout the world. Contact Dorner for the name of your local representative. Our Customer Service Team will gladly help with your questions on Dorner products.

For a copy of Dorner's Warranty, contact Dorner, an authorized sales channel or visit our website: www.dorner.com.

For replacement parts, contact an authorized Dorner Service Center or the factory.

www.dorner.com



© Dorner Mfg. Corp. 2021. All Rights Reserved.

Dorner – North & South America

Dorner – U.S.A.

Headquarters
 975 Cottonwood Ave
 Hartland, WI 53029, USA
 (800) 397-8664
 (262) 367-7600
info@dorner.com

Dorner – Canada

100-5515 North Service Road
 Burlington, Ontario L7L 6G6
 Canada
 (289) 208-7306
info@dorner.com

Dorner – Latin America

Carretera a Nogales #5297, Nave 11.
 Parque Industrial Nogales
 Zapopan, Jalisco C.P. 45222 México
 +52.33.30037400 | info.latinamerica@dorner.com

Dorner – Europe

Dorner – Germany

Karl-Heinz-Beckurts-Straße 7
 52428 Jülich,
 Germany
 +49 (0) 2461/93767-0
info.europe@dorner.com

Dorner – France

8 rue des Frères Caudron
 78140 Velizy-Villacoublay
 France
 +33 (0)1 84 73 24 27
info.france@dorner.com

Dorner – Asia

128 Jalan Permatang Damar Laut, Bayan Lepas 11960
 Penang, Malaysia
 +604-626-2948 | info.asia@dorner.com